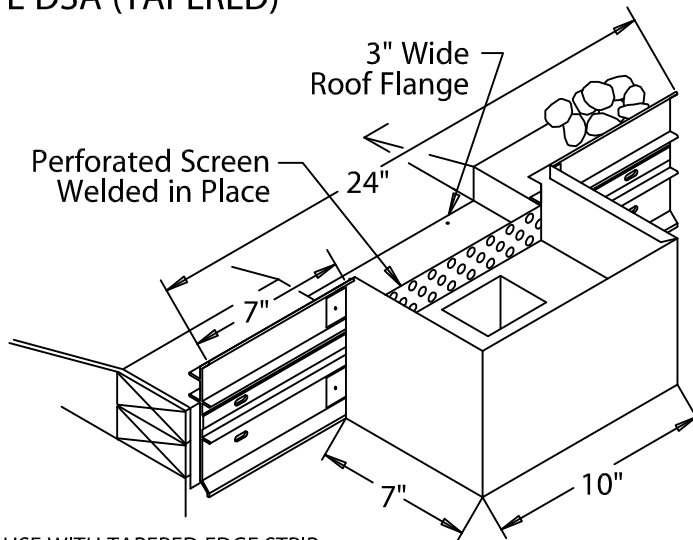


# ANCHOR-TITE STANDARD FASCIA SCUPPERS

STONE BALLAST SINGLE-PLY VERSION

SCUPPERS - FACTORY WELDED CONSTRUCTION

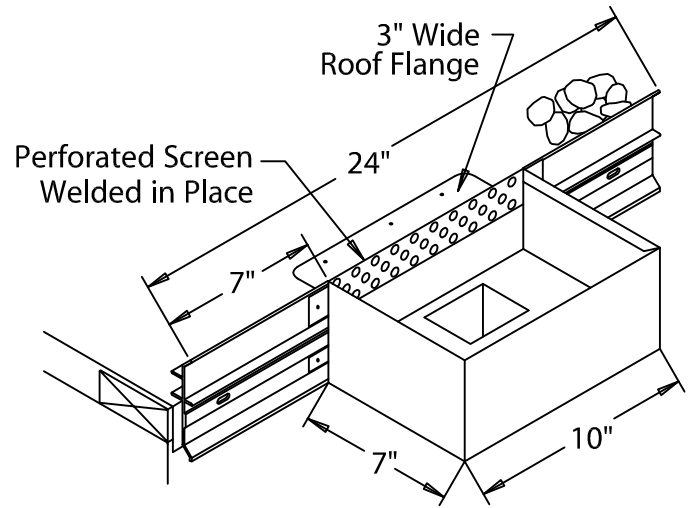
**DOWNSPOUT SCUPPER  
TYPE DSA (TAPERED)**



FOR USE WITH TAPERED EDGE STRIP.  
FLANGE LOWERED 1-1/2" (3.81 cm).

NOTE : SPECIFY TUBE SIZE

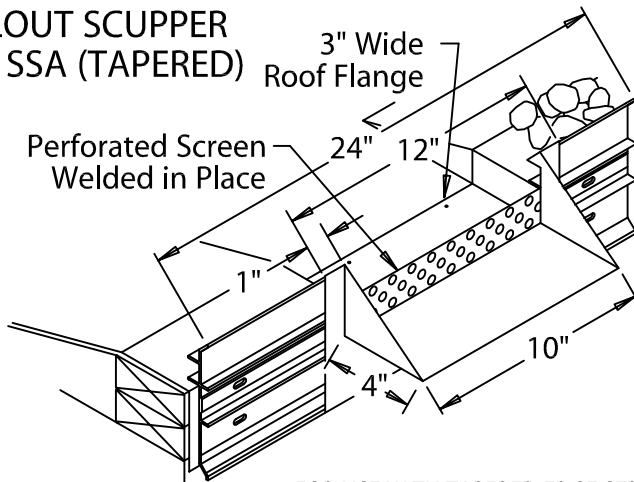
**DOWNSPOUT SCUPPER  
TYPE DSB (FLAT)**



FOR USE WITHOUT TAPERED EDGE STRIP.  
FLANGE FLUSH MOUNTED WITH ROOF.

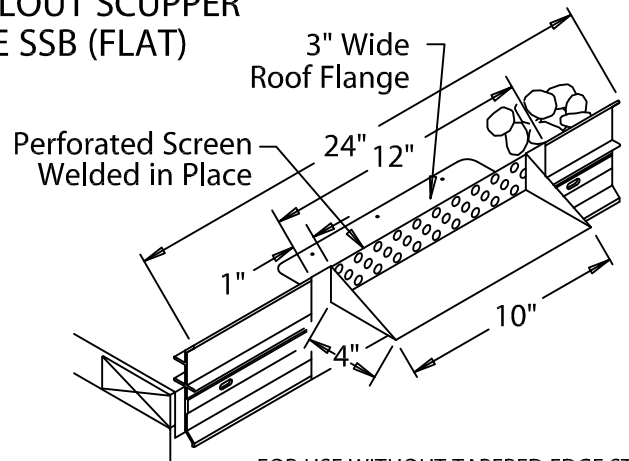
NOTE : SPECIFY TUBE SIZE

**SPILOUT SCUPPER  
TYPE SSA (TAPERED)**



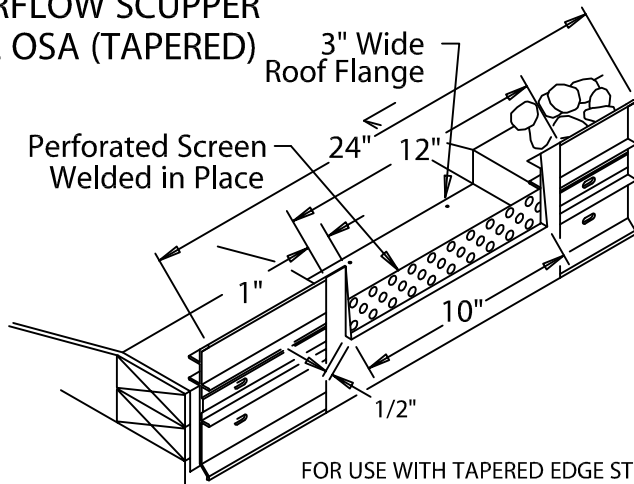
FOR USE WITH TAPERED EDGE STRIP.  
FLANGE LOWERED 1-1/2" (3.81 cm).

**SPILOUT SCUPPER  
TYPE SSB (FLAT)**



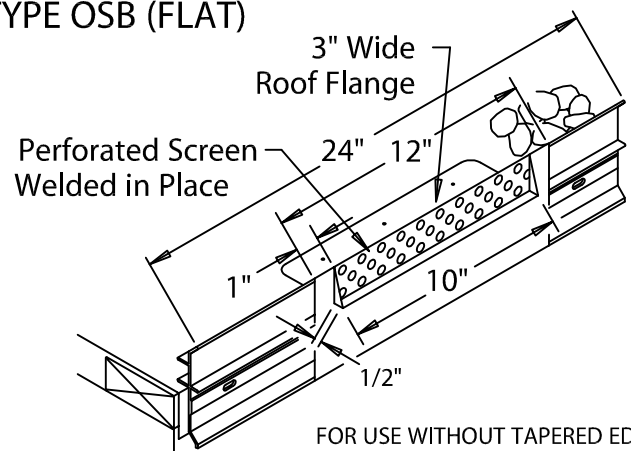
FOR USE WITHOUT TAPERED EDGE STRIP.  
FLANGE FLUSH MOUNTED WITH ROOF.

**OVERFLOW SCUPPER  
TYPE OSA (TAPERED)**



FOR USE WITH TAPERED EDGE STRIP.  
FLANGE LOWERED 1-1/2"

**OVERFLOW SCUPPER  
TYPE OSB (FLAT)**



FOR USE WITHOUT TAPERED EDGE STRIP.  
FLANGE FLUSH MOUNTED WITH ROOF.



Phone: 800-558-2162

Fax: 800-373-9156

www.metalera.com

DATE: 12/01/05

DRN BY: JJC

CKD BY: SAK

SHT.# \_\_\_ OF \_\_\_

DWG# 11510-1448

C