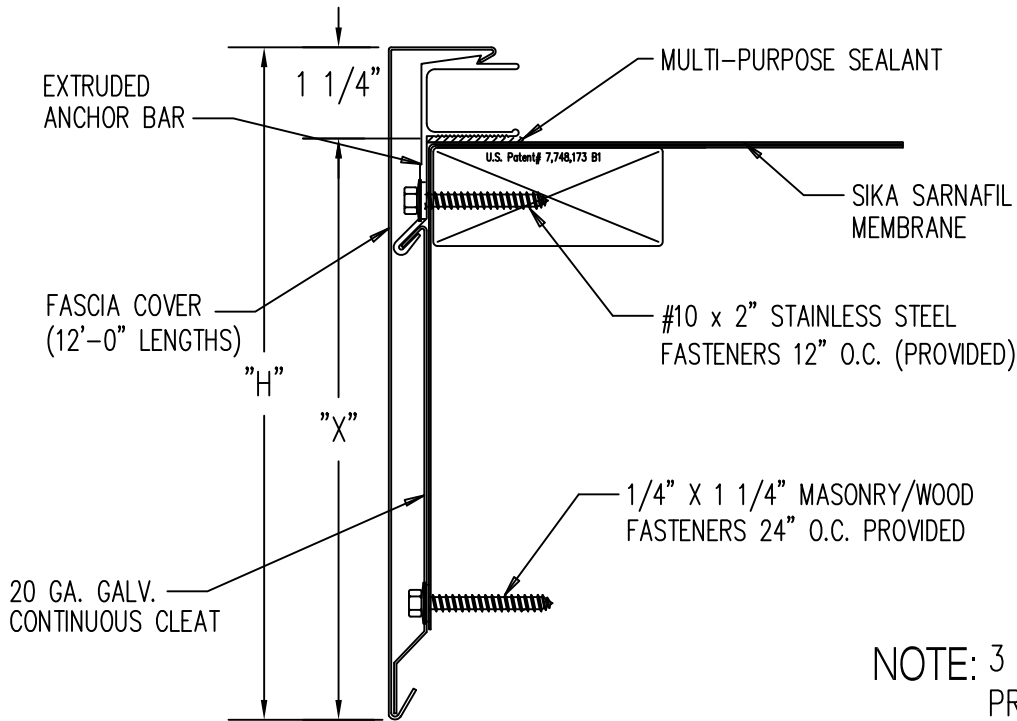




ANCHOR-TITE FASCIA

FOR LARGER FACE HEIGHTS IN .050 & .063" ALUMINUM

ANSI / SPRI ES-1 WIND BLOW-OFF RESISTANCE OF 176 LBS./SQ.FT.



NOTE: 3 1/2" SPLICE PLATES PROVIDED AT ALL JOINTS

Fascia is to be installed per Specifications and Sika Sarnafil's Installation Instructions Dwg. # 14110-2836

ANCHOR-TITE FASCIA DIMENSIONS

PRODUCT ID. NO.	H DIM	X DIM
<input type="checkbox"/> AEF-S85	8 1/2"	7 1/4"
<input type="checkbox"/> AEF-S100	10"	8 3/4"
<input type="checkbox"/> AEF-S115	11 1/2"	10 1/4"
<input type="checkbox"/> AEF-S130	13"	11 3/4"

METALS:

___ .050" Aluminum
 ___ .063" Aluminum
 ___ OTHER _____

Color: _____ Finish: _____

Fabrication will proceed only after receipt of signed print approval.

Print Approval:

Architect and/or contractor shall verify all dimensions, sizes, and quantities. All products to be installed in strict accordance with Sika Sarnafil printed instructions.

Approved by: _____

Date: _____

QUANTITIES:

_____ Lineal Feet (12'-0" Lengths)
 ___ Outside Miter(s) @ _____ 90°
 ___ Inside Miter(s) @ _____ 90°
 ___ Overflow Scupper Style ___A___B
 ___ Spillout Scupper Style ___A___B
 ___ Downspout Scupper Style ___A___B
 (___X___) Size A: Tapered 1 1/2" Drop
 B: Flat

FOR NON-90 MITERS SEE PRINT APPROVAL #14010-2823

PROJECT	Sika Sarnafil Inc. 100 Dan Road Canton, MA 02021 (800) 451-2504 Fax: (781) 828-5365 www.metalera.com/sikasarnafil
ARCHITECT	
ROOFING CONTRACTOR	
REPRESENTATIVE/DISTRIBUTOR	



DATE: 03/28/17

DRN BY: JAB

CKD BY: SAK

SHT.# ___ OF ___

DWG# 14010-2835 H