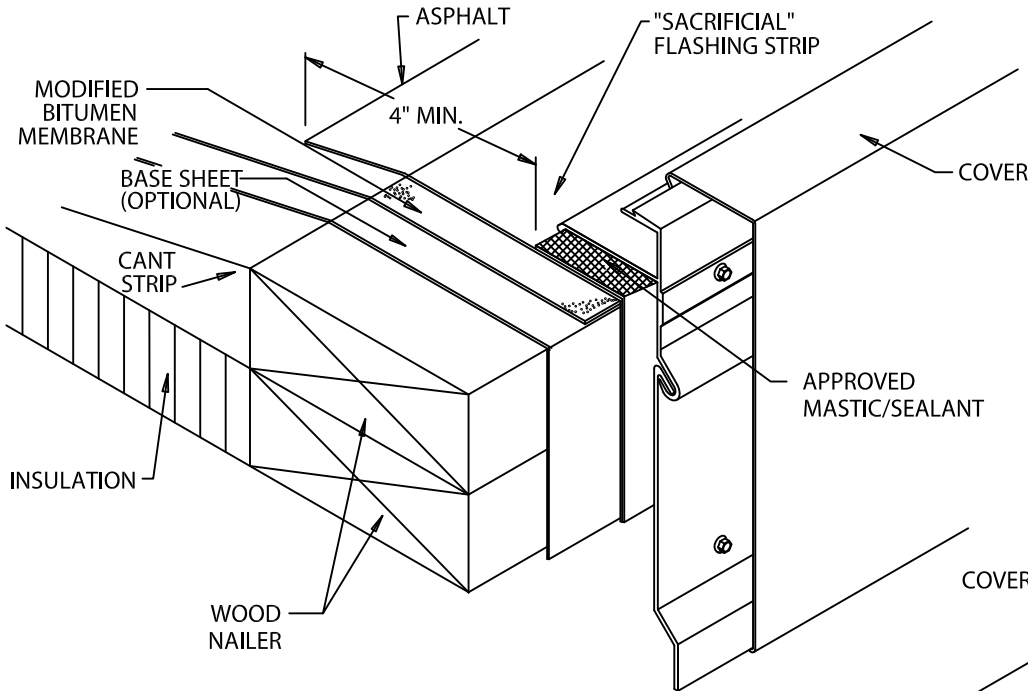




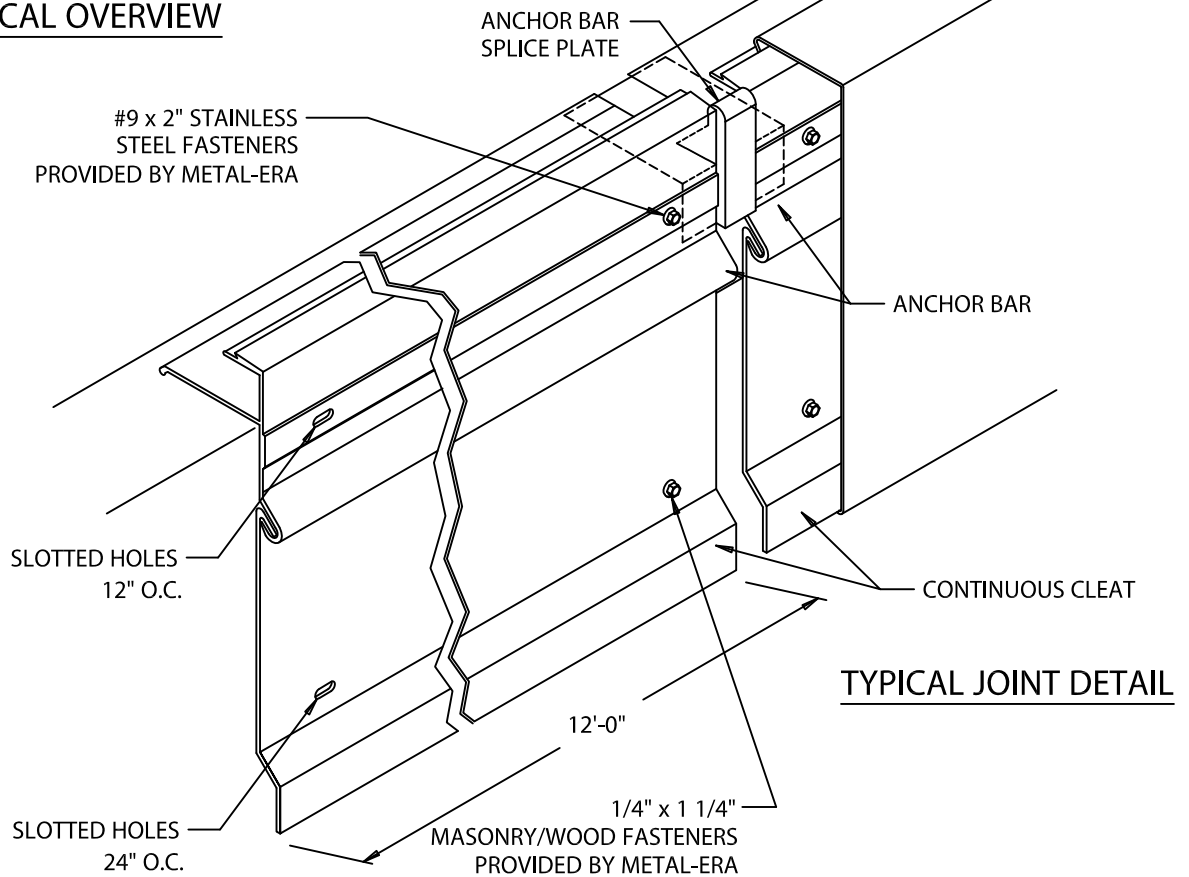
ANCHOR-TITE EXTENDED FASCIA

MODIFIED VERSION

DETAILS



TYPICAL OVERVIEW



TYPICAL JOINT DETAIL

NOTE: Some manufacturers may require a "sacrificial" flashing strip. Please check with membrane manufacturer prior to installation.



Phone: 800-558-2162
 Fax: 800-373-9156
 www.metalera.com

DATE: 03/15/17
 DRN BY: JAB
 CKD BY: SAK

SHT.# ___ OF ___
 DWG# 11510-1445

F