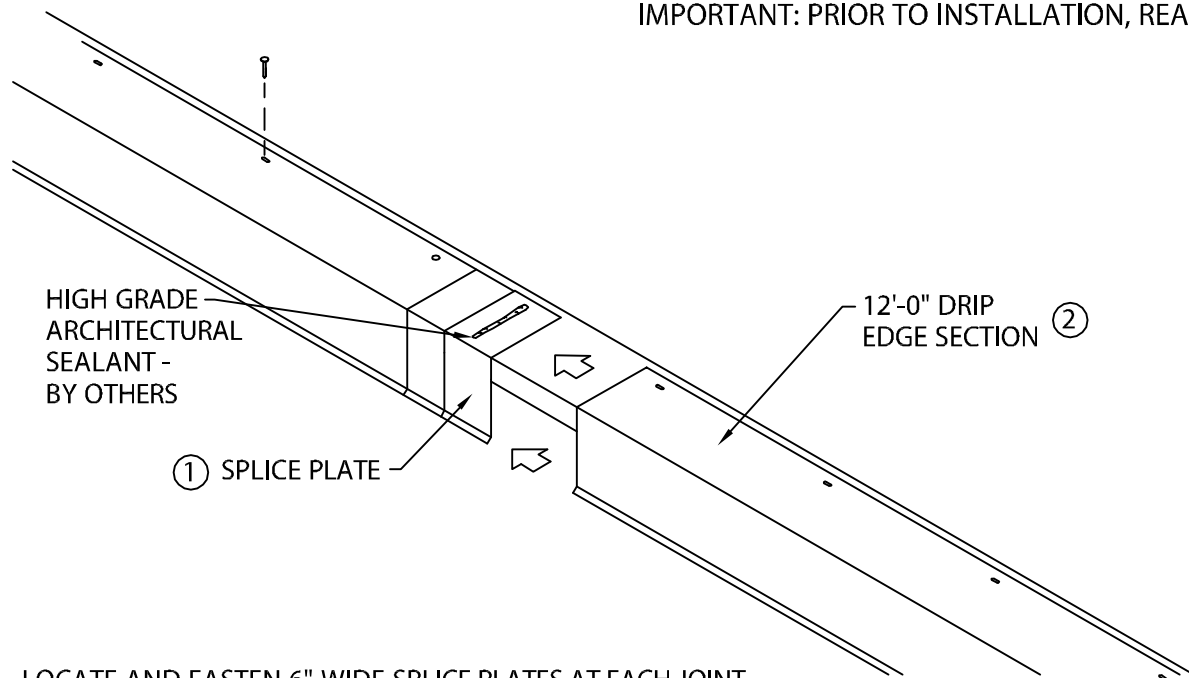


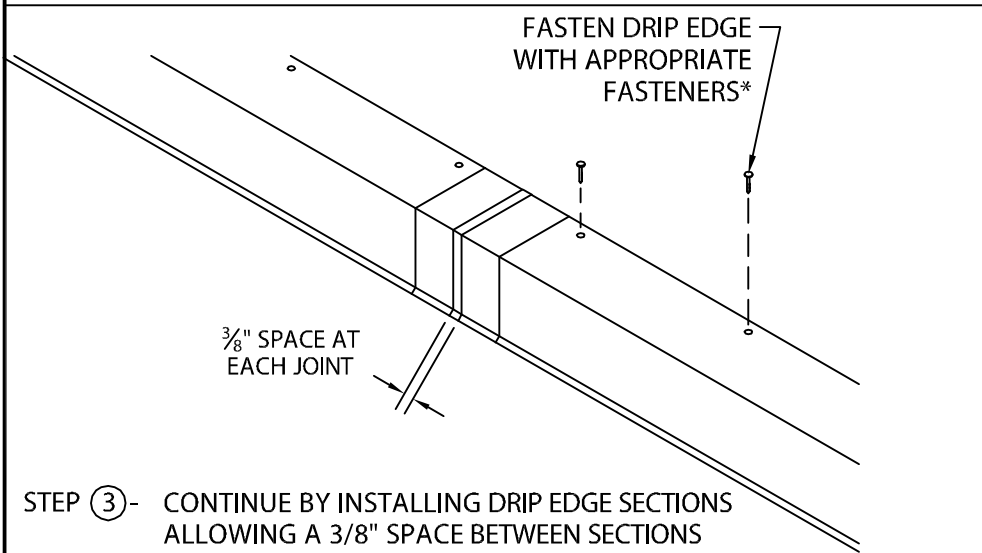
# DESCRIPTION: ONE DRIP EDGE WITHOUT CONTINUOUS CLEAT

## INSTALLATION INSTRUCTIONS

NOTE: INSTALL MITERS FIRST.  
 IMPORTANT: PRIOR TO INSTALLATION, READ INSTRUCTIONS CAREFULLY.

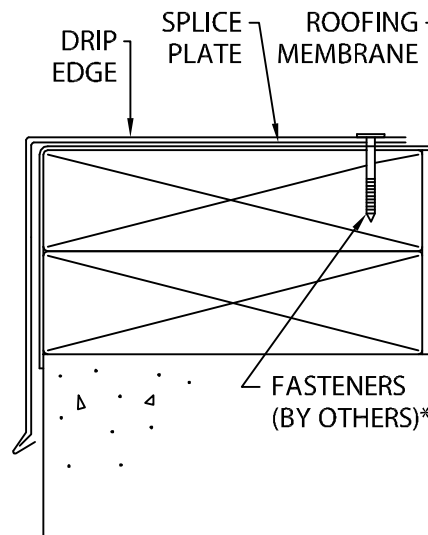


- STEP ① - LOCATE AND FASTEN 6" WIDE SPLICE PLATES AT EACH JOINT. SEALANT (BY OTHERS) TO BE FIELD APPLIED TO TOP OF EACH SPLICE PLATE AS SHOWN.
- STEP ② - SLIDE DRIP EDGE SECTION ONTO SPLICE PLATE PLACE, AND FASTEN WITH APPROPRIATE FASTENERS\*.



- STEP ③ - CONTINUE BY INSTALLING DRIP EDGE SECTIONS ALLOWING A 3/8" SPACE BETWEEN SECTIONS AS SHOWN. FIELD CUT AS NECESSARY.
- CAUTION: REMOVE PROTECTIVE FILM IMMEDIATELY AFTER INSTALLATION. INSTALLERS SHALL WEAR PROTECTIVE EYEWEAR TO PREVENT INJURY.

## TYPICAL INSTALLATION



\*MINIMUM FASTENER REQUIREMENT:  
 1 1/4" x 11 GA. x 7/16" HEAD RING SHANK ROOFING NAIL.

**ONE** Edge Systems  
 ECONOMICAL | FAST | TESTED

TODAY'S ANSWER TO  
 AN ECONOMICAL  
 ROOF EDGE SYSTEM

EDGE SYSTEMS ONE  
 CORPORATE OFFICE:

CUSTOMER SERVICE:  
 800-558-2162

FAX:  
 800-373-9156

WEB SITE:  
 METALERA.COM

DATE: 11/06/13

DWN BY: JJC

SHEET: \_\_\_ OF \_\_\_

DWG: 24110-18852 | A