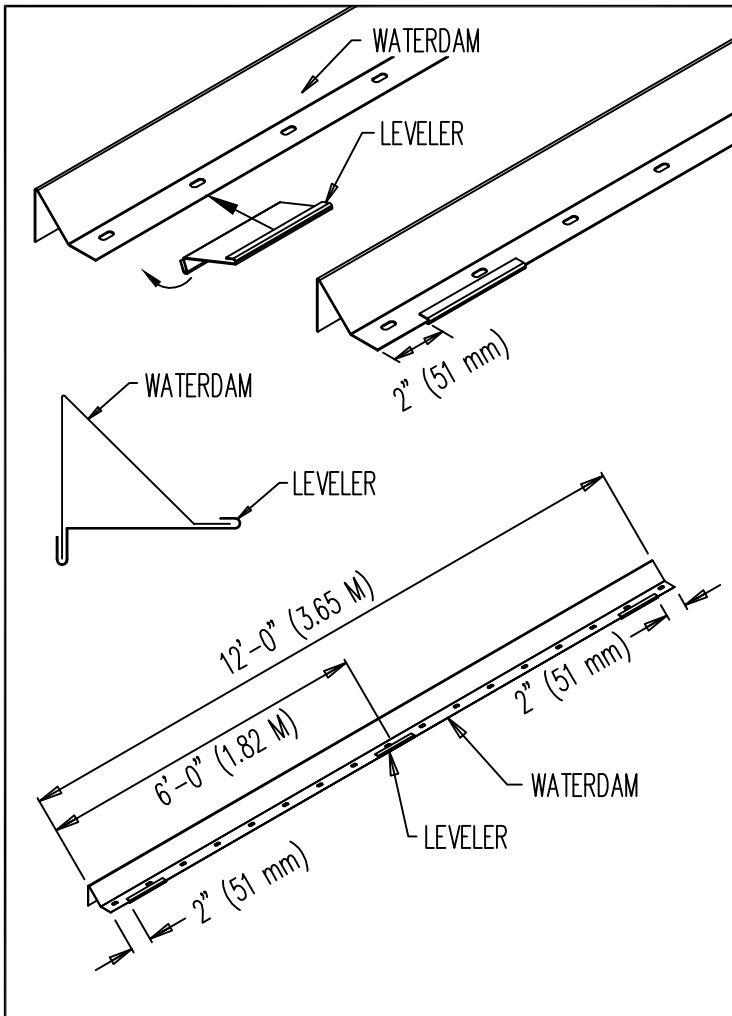


ANCHOR-TITE FASCIA - CANTED VERSION

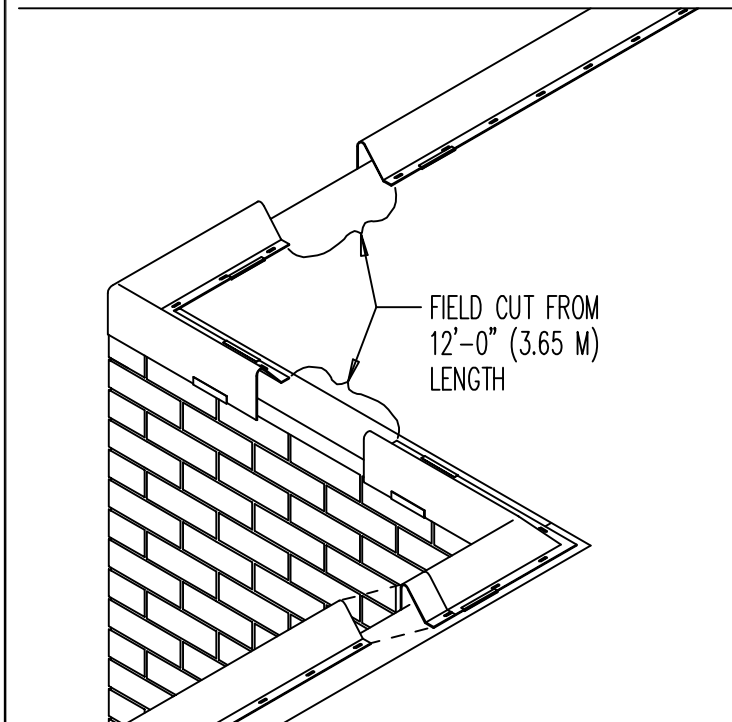
NOTE: INSTALL MITERS FIRST. INSTALLATION INSTRUCTIONS FOR USE WITH .050" & .063" ALUMINUM

IMPORTANT: PRIOR TO INSTALLATION, READ INSTRUCTIONS CAREFULLY.



1. WATERDAM & LEVELER

POSITION LEVELER 2" (51 mm) FROM END OF WATERDAM, HOOKING ONTO WATERDAM AND ROTATING INTO PLACE AS SHOWN. DO THE SAME AT THE OTHER END OF 12'-0" (3.65 M) LENGTH OF WATERDAM. ALSO PLACE A LEVELER IN CENTER OF 12'-0" (3.65 M) LENGTH (3 LEVELERS PER 12'-0" LONG WATERDAM). DO THE SAME FOR MITERS, 2" (51 mm) FROM END OF WATERDAM (2 LEVELERS PER MITER).



2. WATERDAM

LOCATE AND INSTALL WATERDAM MITERS, NAILING THROUGH PRE-SLOTTED FASTENING HOLES ON TOP OF NAILER(S). DETERMINE AND IDENTIFY LOCATIONS OF SCUPPERS AT THIS TIME. LEAVE GAP OF 14 1/2" (368 mm) FOR SCUPPER LOCATIONS. NEXT, INSTALL 12'-0" (3.65 M) SECTIONS OF WATERDAM FROM RIGHT TO LEFT (AS SEEN FROM ROOF TOP) BY NAILING THROUGH PRE-PUNCHED HOLES PROVIDED ON TOP OF NAILER(S). BE SURE TO OVERLAP WATERDAM 1" (25 mm).

NOTE: PROVIDED WATERDAM FASTENER: 1 1/4" (32 mm) RING SHANK GALVANIZED ROOFING NAILS.

CAUTION: INSTALLERS SHALL WEAR PROTECTIVE EYEWEAR TO PREVENT SERIOUS INJURY.



Sika Sarnafil Inc.
(800) 451-2504

www.metalera.com/sikasarnafil

DATE: 02/28/11

DRN BY: JJC

CKD BY: SAK

SHT.# 1 OF 5

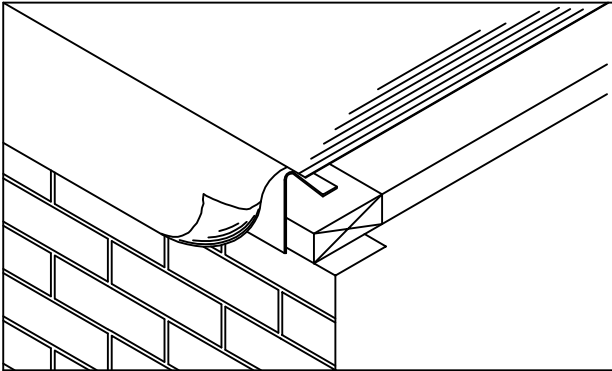
DWG# 14110-2842

H

ANCHOR-TITE FASCIA - CANTED VERSION

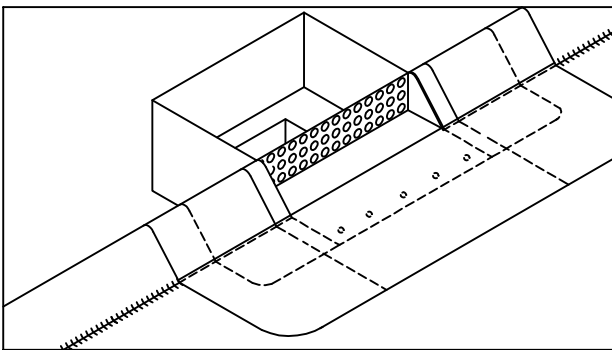
NOTE: INSTALL MITERS FIRST. INSTALLATION INSTRUCTIONS FOR USE WITH .050" & .063" ALUMINUM

IMPORTANT: PRIOR TO INSTALLATION, READ INSTRUCTIONS CAREFULLY.



3. ROOFING MEMBRANE

FOLLOW GENERAL RECOMMENDATIONS OF THE ROOF MEMBRANE MANUFACTURERS APPLICATION OF MATERIALS OVER THE ROOF EDGE.



4. SCUPPERS

INSTALL SPILLOUT OR DOWNSPOUT SCUPPERS (IF APPLICABLE) AT PREDETERMINED LOCATIONS.

NOTE : ROOF MEMBRANE IS INSTALLED UNDER SCUPPER. SCUPPER FLANGE IS SET IN A CONTINUOUS BEAD OF NON-CURING SEALANT.

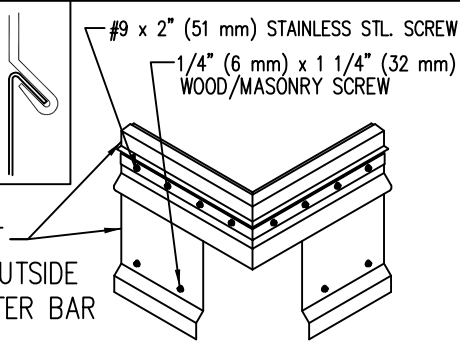
NOTE : FOLLOW GENERAL RECOMMENDATIONS OF THE ROOF MEMBRANE MANUFACTURERS APPLICATION ON STRIPPING IN THE SCUPPER.

ANCHOR-TITE FASCIA - CANTED VERSION

NOTE: INSTALL MITERS FIRST. INSTALLATION INSTRUCTIONS FOR USE WITH .050" & .063" ALUMINUM

IMPORTANT: PRIOR TO INSTALLATION, READ INSTRUCTIONS CAREFULLY.

IMPORTANT!
CLEAT MUST
BE HOOKED
INTO MITER
BAR BEFORE
INSTALLING!



MITER CLEAT
FLUSH TO OUTSIDE
EDGE OF MITER BAR

5. MITER BAR & MITER CLEAT INSTALLATION

HOOK MITER CLEAT PIECES TO MITER BAR. FLUSH ENDS OF MITER CLEAT PIECE AND MITER BAR. INSTALL MITER ASSEMBLY WITH ONE ANCHOR BAR SPLICE PLATE UNDER EACH END OF MITER BAR. FASTEN THE MITER BAR USING 2" (51 mm) HEX HEAD STAINLESS STEEL FASTENERS. FASTENERS AND DRIVE BITS PROVIDED BY SIKA SARNAFIL. NEXT LOCATE AND INSTALL THE SPILLOUTS AND SCUPPERS WITH FASTENERS AND SPLICE PLATES.

6. ANCHOR BAR & CLEAT INSTALLATION

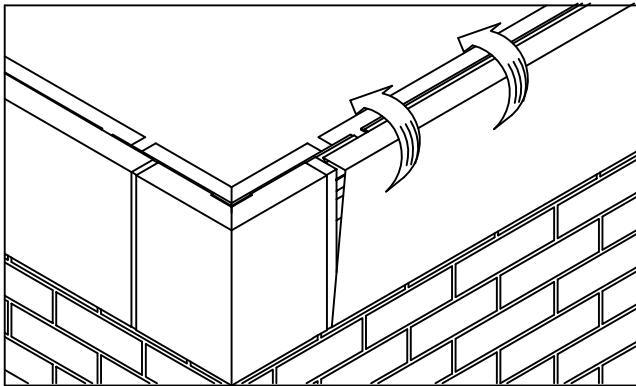
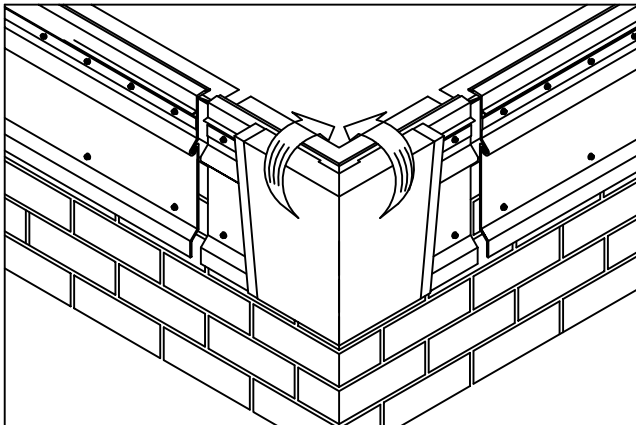
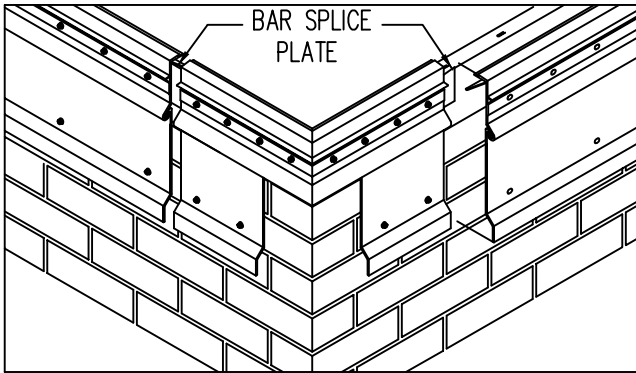
HOOK ANCHOR CLEAT TO ANCHOR BAR AS SHOWN IN STEP 4. POSITION 12'-0" (3.65 M) ANCHOR BAR/CLEAT SECTIONS OVERLAPPING BAR SPLICE PLATE. ALLOW 3/8" (10 mm) SPACE BETWEEN ANCHOR BARS. INSTALL BAR SPLICE PLATE AT OTHER END OF BAR/CLEAT SECTION. FASTEN ANCHOR BAR 12" (305 mm) O.C. THROUGH THE SLOTTED HOLES USING PROVIDED 2" (51 mm) FASTENERS. FASTEN ANCHOR CLEAT 24" (610 mm) O.C. THROUGH SLOTTED HOLES USING 1 1/4" (32 mm) FASTENERS. FIELD CUT SECTIONS AS IS NECESSARY.

7. FASCIA MITERS COVERS

INSTALL MITER COVERS FIRST. INSERT ONE SPLICE PLATE UNDER EACH END OF MITER COVER. INSTALL MITER COVERS BY ENGAGING MITER COVER ONTO ANCHOR CLIP AND ROTATING MITER COVER UP AND OVER ANCHOR BAR UNTIL ENGAGED ALONG ENTIRE LENGTH OF THE ANCHOR BAR.

8. FASCIA COVERS

INSTALL 12'-0" (3.65 M) FASCIA SECTIONS. ALLOW A 3/8" (10 mm) GAP BETWEEN FASCIA COVER SECTIONS. INSERT ONE SPLICE PLATE UNDER FAR END OF EACH FASCIA COVER SECTION. INSTALL COVER BY HOOKING LOWER EDGE OF COVER ONTO ANCHOR CLEAT AND ROTATING COVER UP AND OVER ANCHOR BAR UNTIL ENGAGED ALONG ENTIRE LENGTH OF COVER SECTION. CONTINUE TO INSTALL COVER SECTIONS IN THIS MANNER, FIELD CUTTING WHERE NECESSARY USING A FINE TOOTH HACKSAW.



IMPORTANT !

BE SURE TO REMOVE PROTECTIVE FILM
PRIOR TO INSTALLING EACH FASCIA SECTION.



Sika Sarnafil Inc.
(800) 451-2504

www.metalera.com/sikasarnafil

DATE: 02/28/11

DRN BY: JJC

CKD BY: SAK

SHT.# 3 OF 5

DWG# 14110-2842

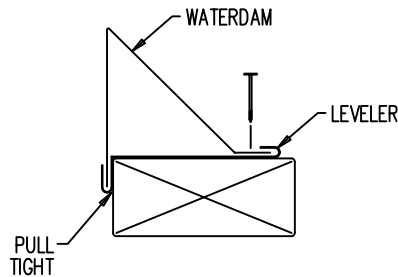
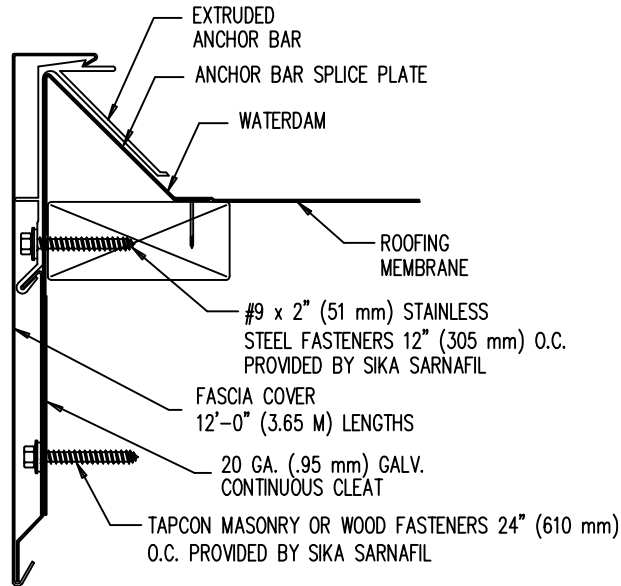
H

ANCHOR-TITE FASCIA - CANTED VERSION

INSTALLATION INSTRUCTIONS FOR USE WITH .050" & .063" ALUMINUM

NOTE: INSTALL MITERS FIRST. IMPORTANT: PRIOR TO INSTALLATION, READ INSTRUCTIONS CAREFULLY.

TYPICAL INSTALLATION



WATERDAM MUST BE PULLED TIGHT TO THE OUTSIDE FACE OF THE BUILDING BEFORE NAILING THE ROOF FLANGE.

U.S. Patent # 7,748,173 B1



Sika Sarnafil Inc.
 (800) 451-2504

www.metalera.com/sikasarnafil

DATE: 02/28/11

DRN BY: JJC

CKD BY: SAK

SHT.# 4 OF 5

DWG# 14110-2842

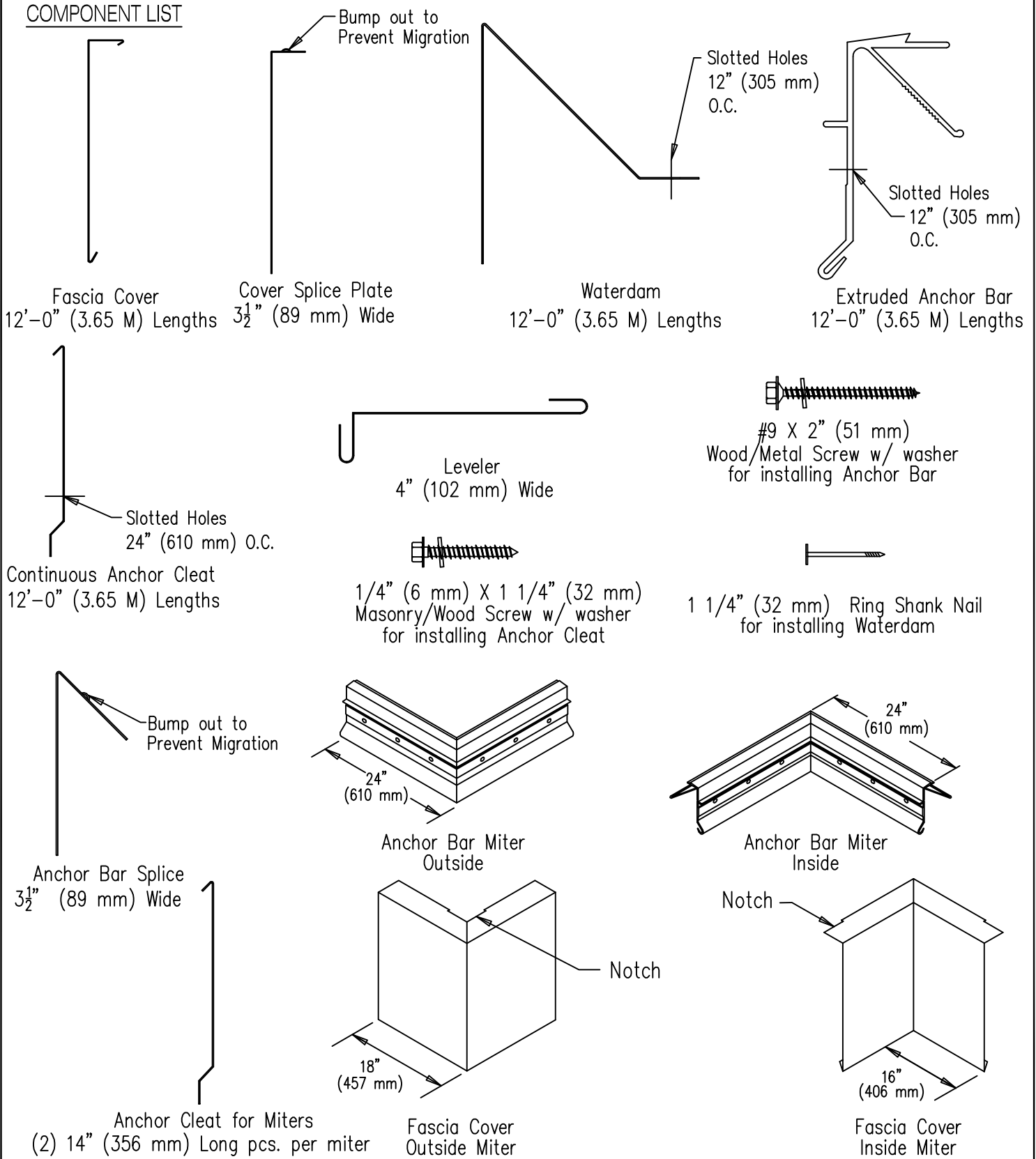
H

ANCHOR-TITE FASCIA - CANTED VERSION

NOTE: INSTALL MITERS FIRST. INSTALLATION INSTRUCTIONS FOR USE WITH .050" & .063" ALUMINUM

IMPORTANT: PRIOR TO INSTALLATION, READ INSTRUCTIONS CAREFULLY.

COMPONENT LIST



Sika Sarnafil Inc.
(800) 451-2504
www.metalera.com/sikasarnafil

DATE: 02/28/11
DRN BY: JJC
CKD BY: SAK

SHT.# 5 OF 5
DWG# 14110-2842

H