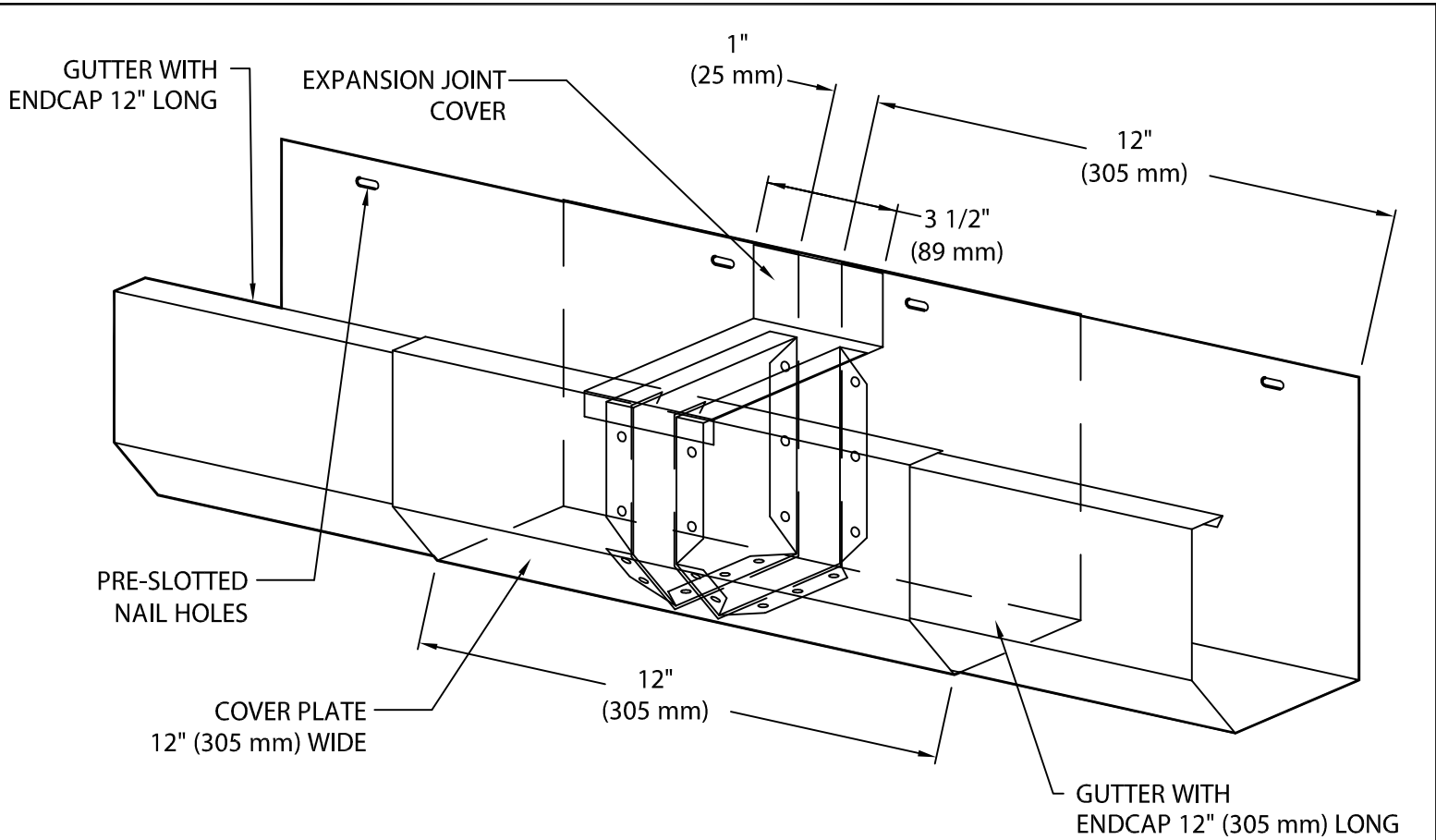


# STYLE 1 GUTTER EXPANSION JOINT

SMACNA DESIGN



NOTE: IG-2 shown. Detail will change as to individual gutter systems

Fabrication will proceed only after receipt of signed print approval.

## Print Approval:

Architect and/or contractor shall verify all dimensions, sizes and quantities. All products to be installed in strict accordance with Dow Roofing Systems' printed instructions.

Approved by: \_\_\_\_\_

Date: \_\_\_\_\_

## MATERIAL:

- 24 Ga. (.65 mm) Galv.
- .040" (1.01 mm) Alum.      Color: \_\_\_\_\_
- .050" (1.27 mm) Alum.
- .063" (1.60 mm) Alum.      Finish: \_\_\_\_\_
- OTHER \_\_\_\_\_

## QUANTITIES:

\_\_\_\_\_ Amount Required

PROJECT:

ARCHITECT:

ROOFING CONTRACTOR:

REPRESENTATIVE/DISTRIBUTOR:

Corporate Offices  
Dow Roofing Systems  
Nine Sullivan Road  
Holyoke, MA 01040  
P: 800-621-ROOF



**ROOFING SYSTEMS**

DATE: 08/20/08

DRN BY: JJC

CKD BY: SAK

SHT.# \_\_\_\_ OF \_\_\_\_

DWG# 12012-4044

C