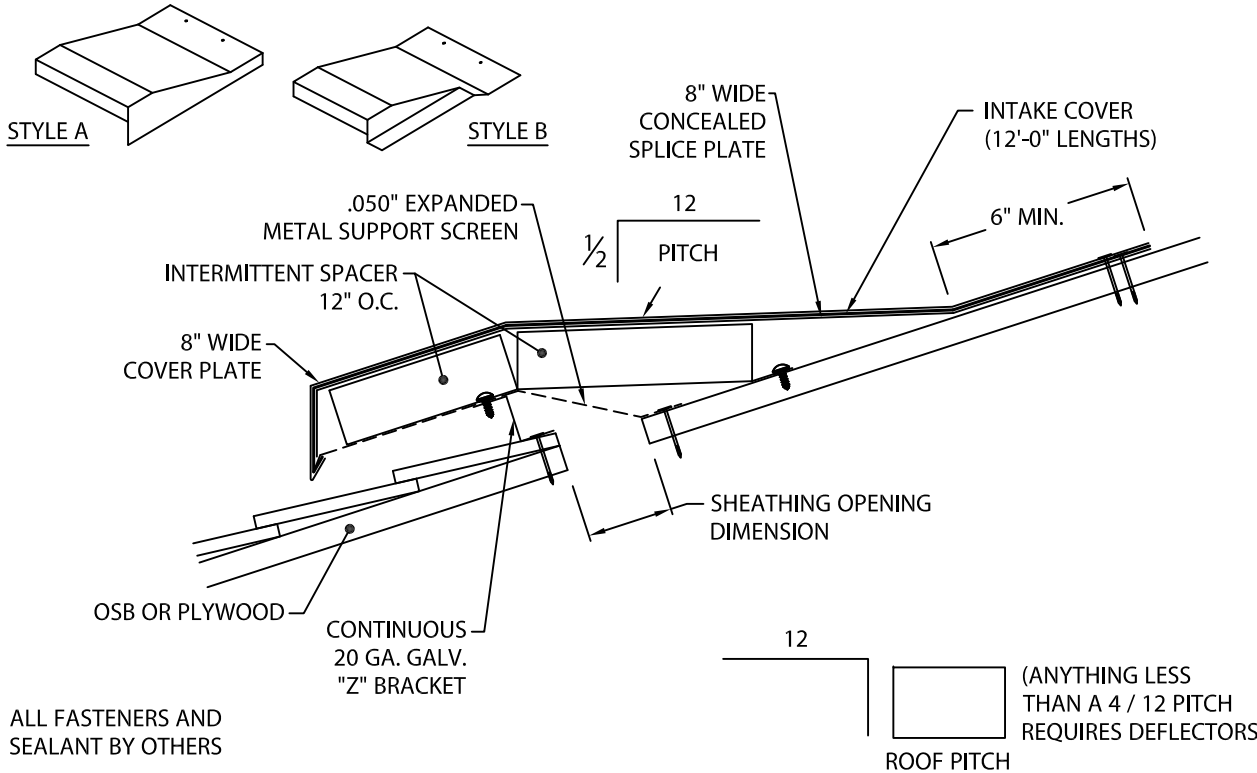


REFERENCE DETAIL:

HI-PERF DUAL VENT

SHINGLED VERSION ON SLOPE

ENDCAPS
(LEFT HAND SHOWN)



ALL FASTENERS AND SEALANT BY OTHERS

THE SHEATHING OPENING MAY BE PROVIDED BY ONE OF TWO METHODS:

1. THE ACTUAL KNOWN

SHEATHING OPENING OR NFA

OR

2. FIELD OR PLAN CONDITION MEASUREMENTS:

ACTUAL LINEAL FOOTAGE OF RIDGE ACTUAL LINEAL FOOTAGE OF EAVE

VENTILATION TYPE:

VENTED NAILBASE

_____ AIR SPACE DIMENSION OF VENTED NAILBASE

OR

ATTIC

_____ ATTIC FLOOR SQUARE FOOTAGE

USED AS INTAKE

USED AS EXHAUST

Fabrication will proceed only after receipt of signed print approval.

Print Approval:

Architect and/or contractor shall verify all dimensions, sizes and quantities. All products to be installed in strict accordance with Metal-Era's printed instructions.

Approved by: _____

Date: _____

COVER MATERIAL:

24 GA. GALV. STEEL .040" ALUMINUM
 .050" ALUMINUM .063" ALUMINUM
 OTHER _____

COLOR: _____

FINISH: _____

QUANTITIES:

_____ LINEAL FEET (12'-0" LENGTHS)

_____ RIGHT ENDCAP(S) (12" LENGTHS, COVER ONLY)

___ STYLE A ___ STYLE B

_____ LEFT ENDCAP(S) (12" LENGTHS, COVER ONLY)

___ STYLE A ___ STYLE B

PROJECT:

ARCHITECT:

CONTRACTOR:

REPRESENTATIVE:



Phone: 800-558-2162
 Fax: 800-770-3934
 www.metalera.com

DATE: 08/01/17

SHT.# ___ OF ___

DRN BY: JAB

CKD BY: SAK

DWG# 31031-14051

E