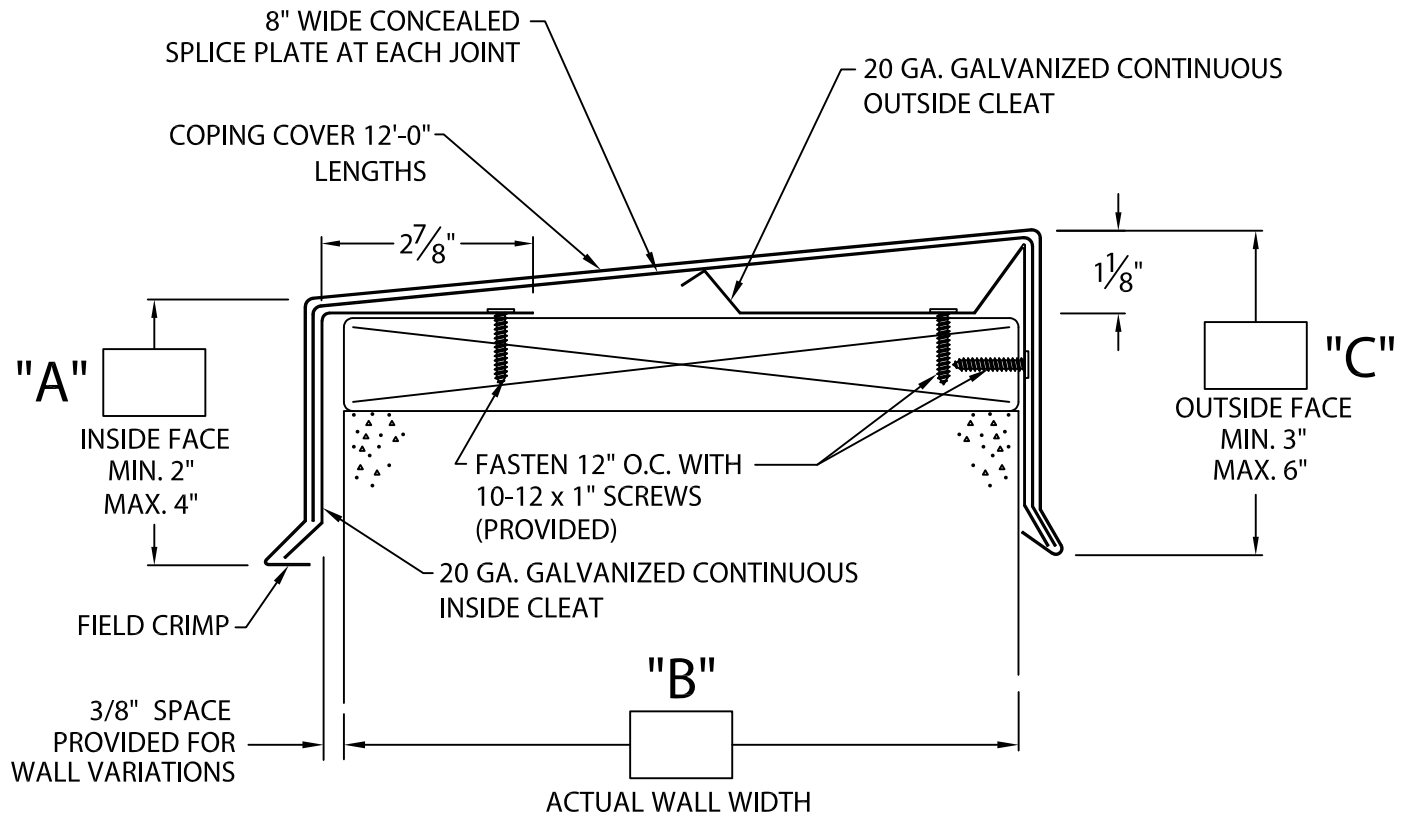




# FIRESTONE CONTINUOUS CLEAT COPING

TAPERED VERSION

ANSI/SPRI ES-1 TESTED



-- Concealed splice plates are provided with factory applied non-curing sealant strips.

-- Actual coping width (in to in) is actual wall width plus  $\frac{5}{8}$ ".

-- Unless otherwise noted, fabrication of miters and accessories are furnished standard utilizing a non-penetrating quicklock joint, then factory sealed watertight.

-- Wood nailer required for FM approval or ANSI/SPRI ES-1 rating.

-- Welded Miters and Accessories

Check one  Required (surcharge)  Not applicable

### MATERIAL:

- 24 Ga. Galvanized Steel
- 22 Ga. Galvanized Steel      Color: \_\_\_\_\_
- .050" Aluminum
- .063" Aluminum      Finish: \_\_\_\_\_
- OTHER \_\_\_\_\_

### QUANTITIES:

- \_\_\_\_\_ Lineal Feet (12'-0" Lengths)
- \_\_\_\_\_ Outside Miters @ 90°
- \_\_\_\_\_ Inside Miters @ 90°
- \_\_\_\_\_ Right End Caps
- \_\_\_\_\_ Left End Caps

FOR NON 90° MITERS PLEASE USE PRINT APPROVAL #13011-1270

Fabrication will proceed only after receipt of signed print approval.

### Print Approval:

Architect and/or contractor shall verify all dimensions, sizes and quantities. All products to be installed in strict accordance with Firestone's printed instructions.

Approved by: \_\_\_\_\_

Date: \_\_\_\_\_

PROJECT:

ARCHITECT:

ROOFING CONTRACTOR:

REPRESENTATIVE/DISTRIBUTOR:



EDGE GARD SYSTEMS  
PHONE: 800-872-0203  
FAX: 800-770-3934

DATE: 06/28/19

DRN BY: ZS

CKD BY: JAI

SHT.# \_\_\_\_ OF \_\_\_\_

DWG# 13011-17192

D