

PRESTO-LOCK COPING

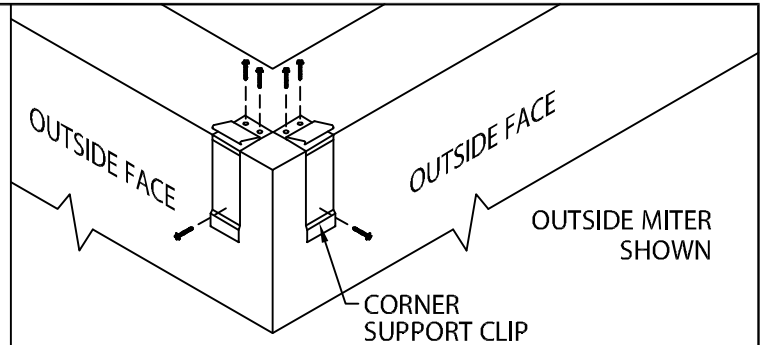
OVER 6" TO 12" FACE HEIGHT TAPERED VERSION - 4'-0" O.C.

INSTALLATION INSTRUCTIONS

IMPORTANT: Prior to installation, read instructions carefully.

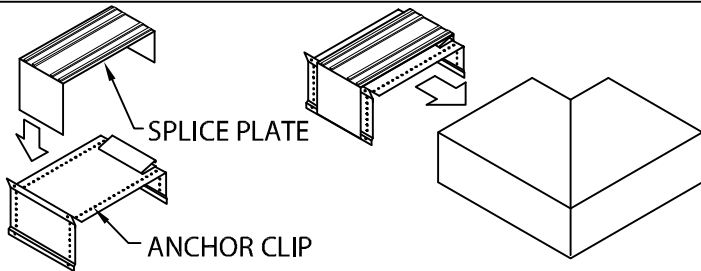
NOTE: Position roof membrane on top of the wall covering the treated wood nailer(s) or substrate completely. Allow 1/2" minimum excess membrane beyond nailer where applicable. NRCA requirement. Membrane not shown for clarity.

CAUTION: INSTALL MITERS FIRST!



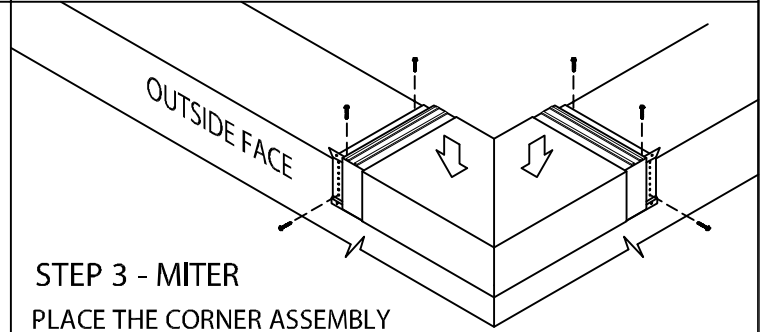
STEP 1 - CORNER SUPPORT CLIPS

LOCATE AND FASTEN GALVANIZED CORNER SUPPORT CLIPS TO THE WALL.



STEP 2 - MITER SPLICE PLATES & ANCHOR CLIPS

POSITION THE SPLICE PLATE IN THE CENTER OF THE ANCHOR CLIP. INSTALL THE SPLICE PLATE AND ANCHOR CLIP ASSEMBLY HALFWAY INTO EACH END OF THE CORNER AS SHOWN

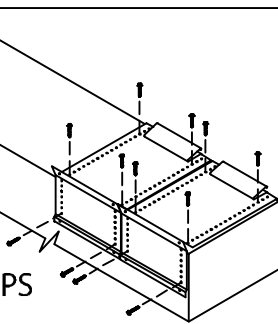


STEP 3 - MITER

PLACE THE CORNER ASSEMBLY INTO POSITION AND SECURE AT THE EXPOSED EDGE OF THE ANCHOR CLIPS AS PER DETAIL A.

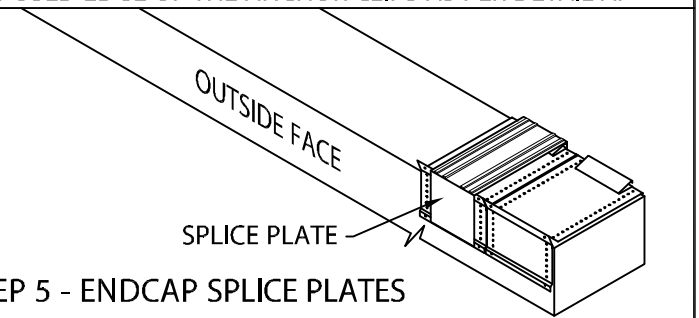
LEFT ENDCAP SHOWN

OUTSIDE FACE



STEP 4 - ENDCAP ANCHOR CLIPS

LOCATE AND FASTEN GALVANIZED ANCHOR CLIPS TO WALL WITH PROVIDED FASTENERS FOR SUBSTRATE (SEE DETAIL A).



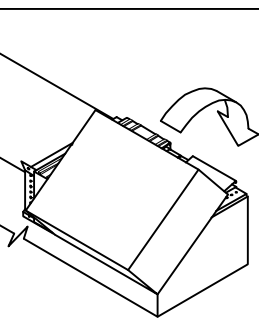
STEP 5 - ENDCAP SPLICE PLATES

REMOVE RELEASE PAPER FROM TOP OF FACTORY APPLIED SEALANT STRIPS. PLACE SPLICE PLATE ONTO SECOND ANCHOR CLIP AS SHOWN.

STEP 6 - ENDCAP

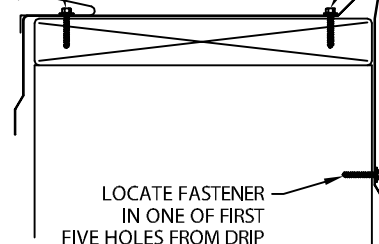
HOOK OUTSIDE FACE OF ENDCAP OVER THE ANCHOR CLIPS AND ROTATE INTO PLACE. ENGAGE REAR LEG ONTO ANCHOR CLIPS BY PRESSING DOWNWARD UNTIL SNAP LOCK OCCURS.

OUTSIDE FACE



LOCATE FASTENER IN THIRD FULL HOLE FROM BEND

LOCATE FASTENER IN FIRST FULL HOLE FROM BEND



ANCHOR CLIP FASTENING-DETAIL A

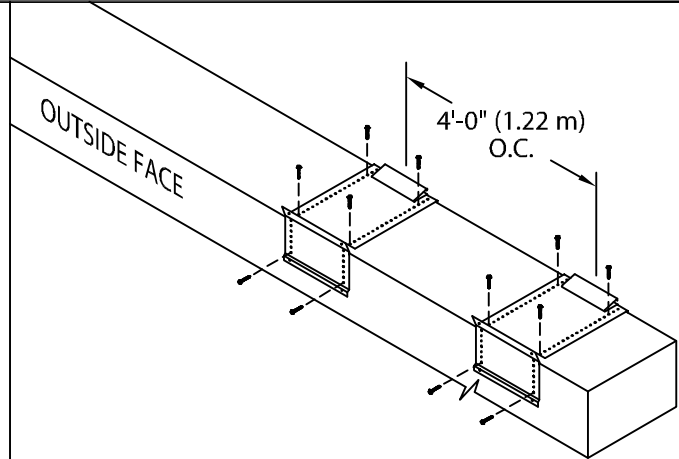
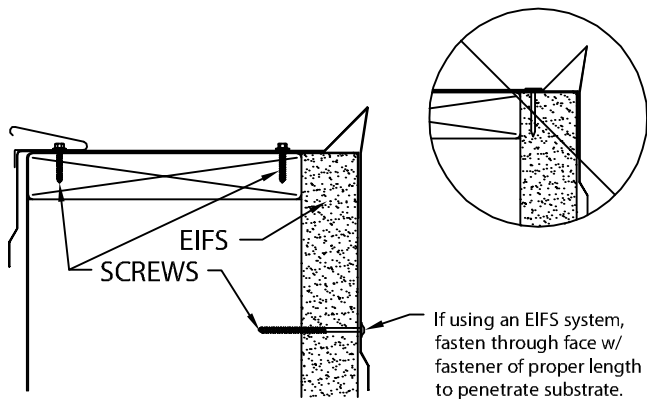
PRESTO-LOCK COPING

OVER 6" TO 12" FACE HEIGHT TAPERED VERSION - 4'-0" O.C.

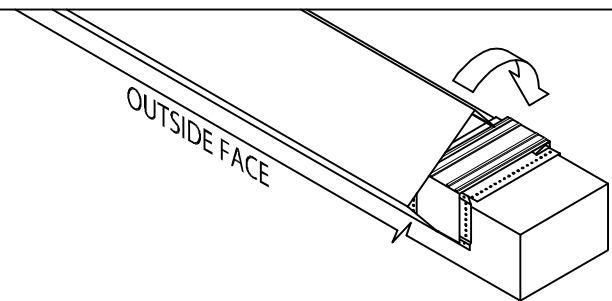
INSTALLATION INSTRUCTIONS

INSTALLATION NOTES:

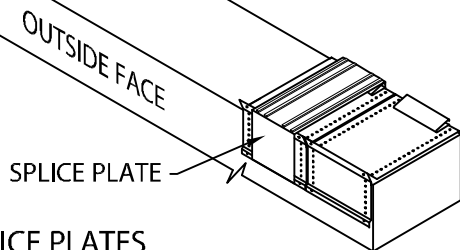
- 1) Installing contractor shall check as-built conditions, including nailer attachment, and verify the manufacturer's coping details for accuracy to fit the wall assembly prior to fabrication.
- 2) Fasteners must be corrosion resistant and rated for a minimum 250# pullout force for the substrate that is being used.



STEP 7 - ANCHOR CLIPS
 LOCATE OVER MEMBRANE AND FASTEN GALVANIZED ANCHOR CLIPS TO WALL AT 4'-0" (1.22 m) CENTER WITH PROVIDED FASTENERS AS SHOWN IN DETAIL A.

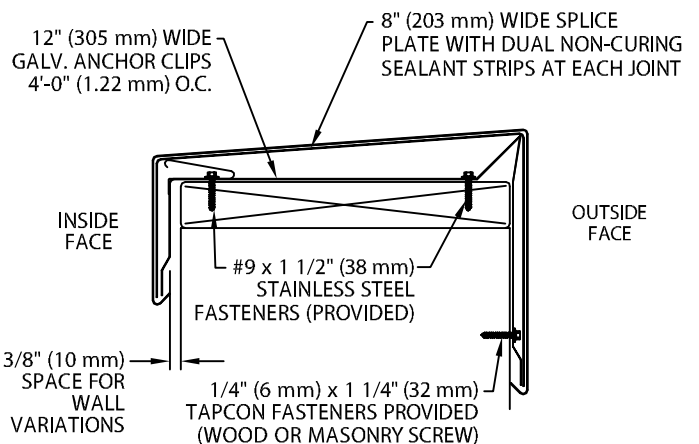


STEP 9 - COPING
 HOOK OUTSIDE FACE OF COPING OVER THE ANCHOR CLIPS AND ROTATE INTO PLACE. ENGAGE REAR LEG ONTO ANCHOR CLIPS BY PRESSING DOWNWARD UNTIL SNAP LOCK OCCURS.



STEP 8 - SPLICE PLATES
 PLACE SPLICE PLATE ONTO ANCHOR CLIPS AT SPLICE JOINTS, 12'-0" (3.65 m) O.C.
 NOTE: REMOVE RELEASE PAPER FROM SEALANT STRIPS.

TYPICAL COPING INSTALLATION (TAPERED SHOWN)



3/8" (10 mm) SPACE

STEP 10 - COMPLETION
 CONTINUE INSTALLING COPING WITH A 3/8" (10 mm) SPACE AT SPLICE JOINTS TO ALLOW FOR THERMAL EXPANSION. FIELD CUT WHERE NECESSARY USING FINE TOOTH HACKSAW OR SNIPS. NOTE: REMOVE PROTECTIVE FILM IMMEDIATELY.

JM Johns Manville

USA: 800-223-8317
 Canada: 800-445-1500

DATE: 11/16/12
 DRN BY: JJC
 CKD BY: SAK

SHT.#2 OF 2

DWG# 16111-16693

A