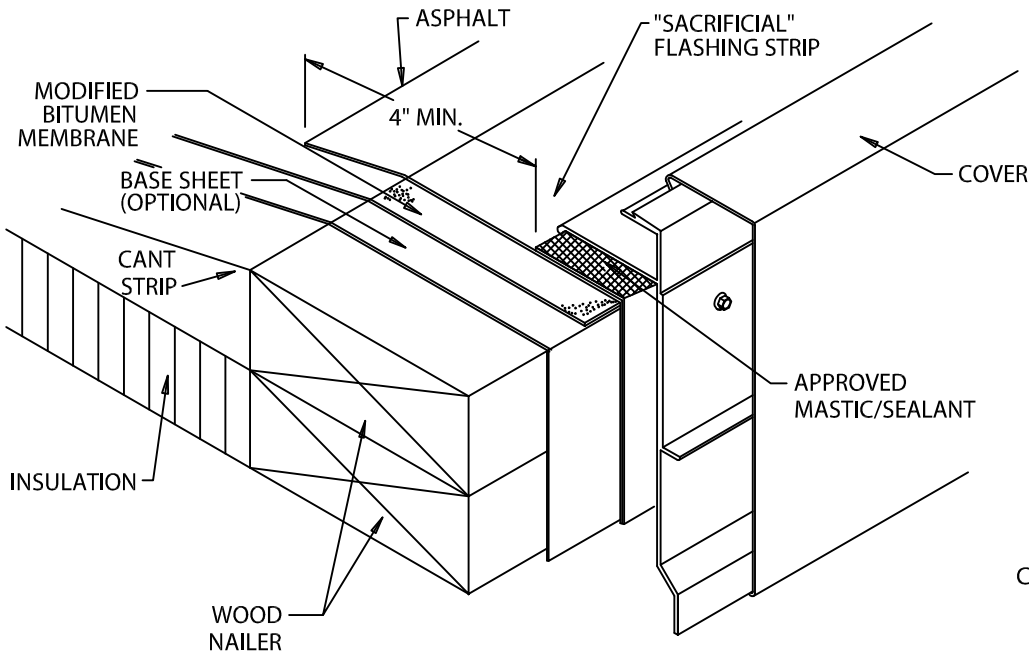


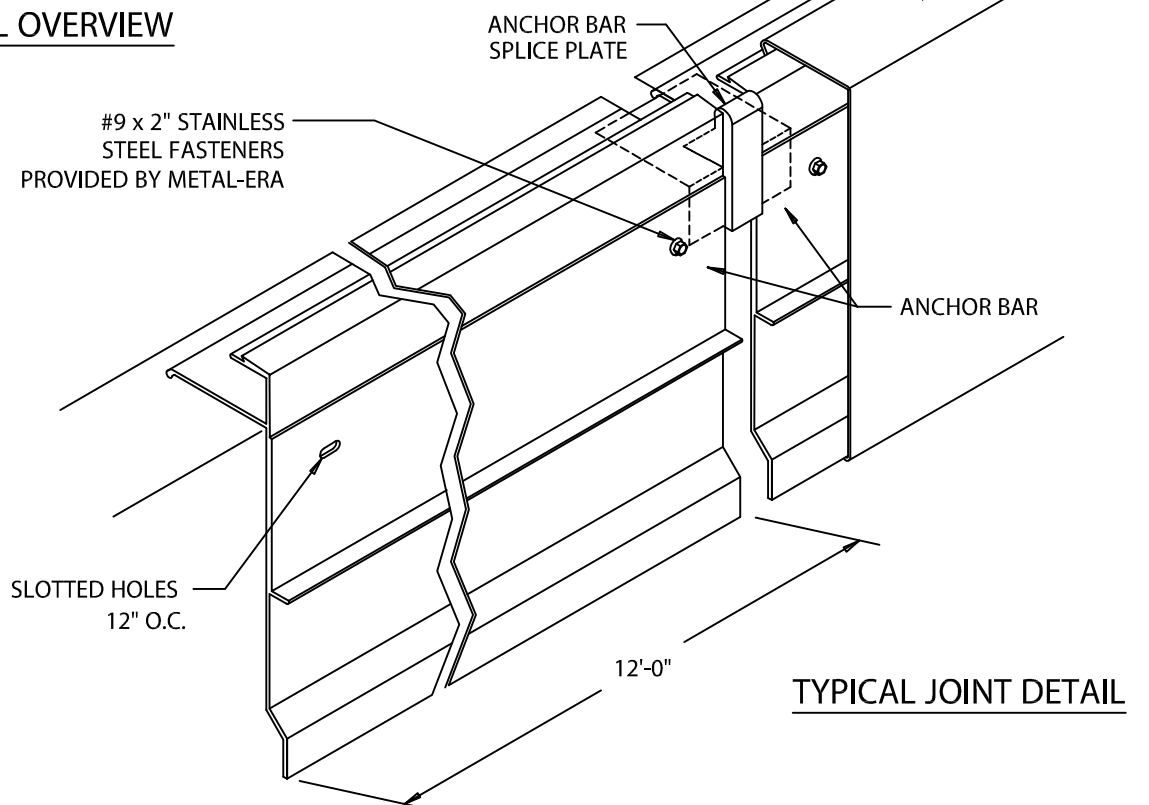
ANCHOR-TITE HG FASCIA

MODIFIED VERSION

DETAILS



TYPICAL OVERVIEW



TYPICAL JOINT DETAIL

NOTE: Some manufacturers may require a "sacrificial" flashing strip.
Please check with membrane manufacturer prior to installation.



Phone: 800-558-2162
Fax: 800-373-9156
www.metalera.com

DATE: 01/04/08
DRN BY: JJC
CKD BY: SAK

SHT.# ___ OF ___
DWG# 11510-5486

B