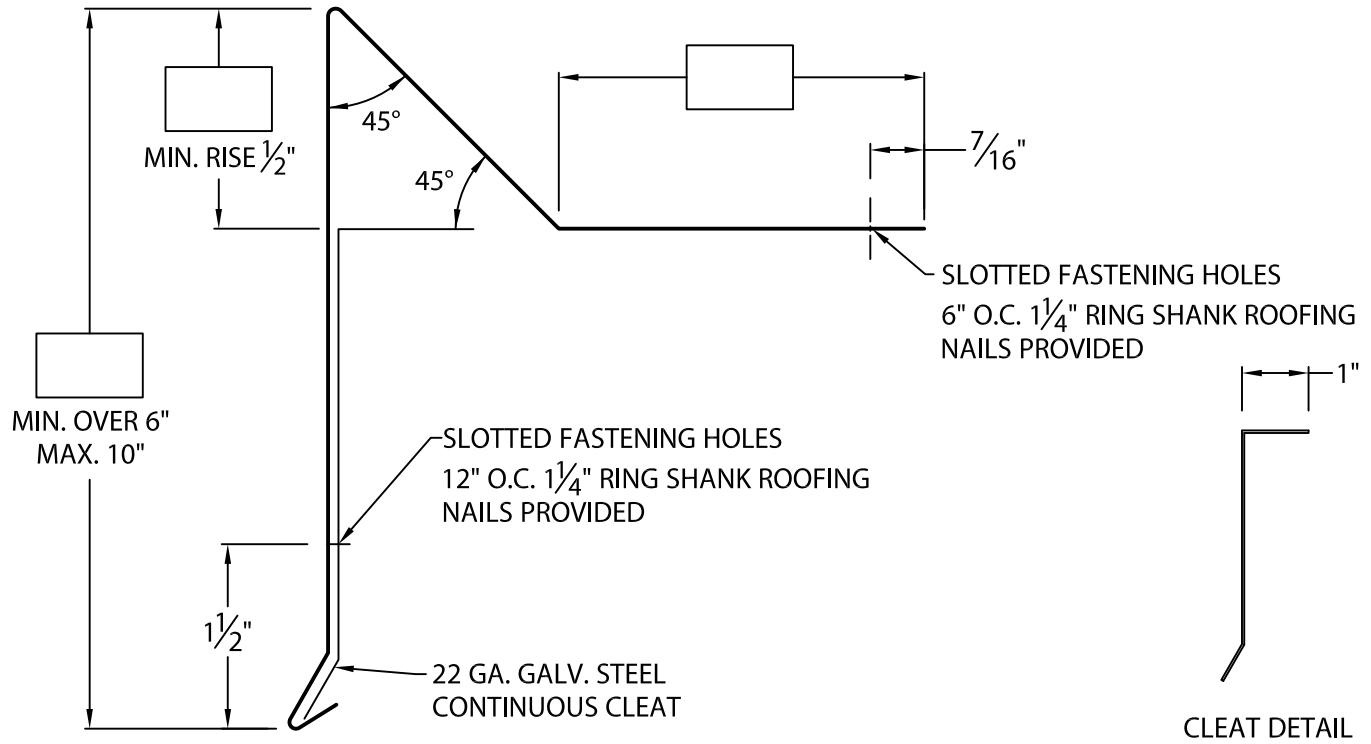




UNA-Edge® GRAVEL STOP

OVER 6" TO 10" FACE HEIGHT WITH CONTINUOUS CLEAT VERSION

ANSI/SPRI/FM 4435/ ES-1 DESIGN PRESSURE OF 258 psf



① WELDED ACCESSORIES REQUIRE A MIN. MATERIAL THICKNESS OF .050"

FOR FACE SIZES 6" OR LESS SEE PRINT APPROVAL #13010-1283

NOTES:

- INCLUDES 6" WIDE CONCEALED SPLICE PLATES.
- CONCEALED SPLICE PLATES MUST BE FIELD CAULKED TO PREVENT WATER ENTRY.
- UNLESS OTHERWISE NOTES, FABRICATION OF MITERS AND ACCESSORIES ARE FURNISHED STANDARD UTILIZING A NON-PENETRATING QUICKLOCK JOINT, THEN FACTORY SEALED WATERTIGHT.

MATERIAL:

- ___ 24 GA. GALVANIZED STEEL
 - ___ 22 GA. GALVANIZED STEEL
 - ___ .040" ALUMINUM
 - ___ .050" ALUMINUM
 - ___ .063" ALUMINUM
 - ___ OTHER _____
- COLOR: _____
FINISH: _____

AUTHORIZED SIGNATURE:

APPROVED BY: _____

DATE: _____

QUANTITIES:

- _____ LINEAL FEET 12'-0" LENGTHS
 - _____ OUTSIDE MITERS @ 90°
 - _____ INSIDE MITERS @ 90°
- SPECIFY ACCESSORY TYPE:
 WELDED ①
 QUICKLOCK
- FOR NON 90° MITERS SEE PRINT APPROVAL #13010-1043

RETURN THIS FORM TO YOUR FIRESTONE SALES REPRESENTATIVE. FIND THEM AT:

[HTTP://WWW.FIRESTONEBPC.COM/CONTRACTORS/SALESREPS/](http://www.firestonebpc.com/contractors/salesreps/)

PROJECT:

ARCHITECT:

ROOFING CONTRACTOR:

REPRESENTATIVE/DISTRIBUTOR:

Firestone
Firestone Building Products

PHONE: 800-872-0203
FAX: 800-770-3934

DATE: 01/24/20

DRN BY: ZS

CKD BY: JAI

SHT.# ____ OF ____

DWG# 13010-24951

D