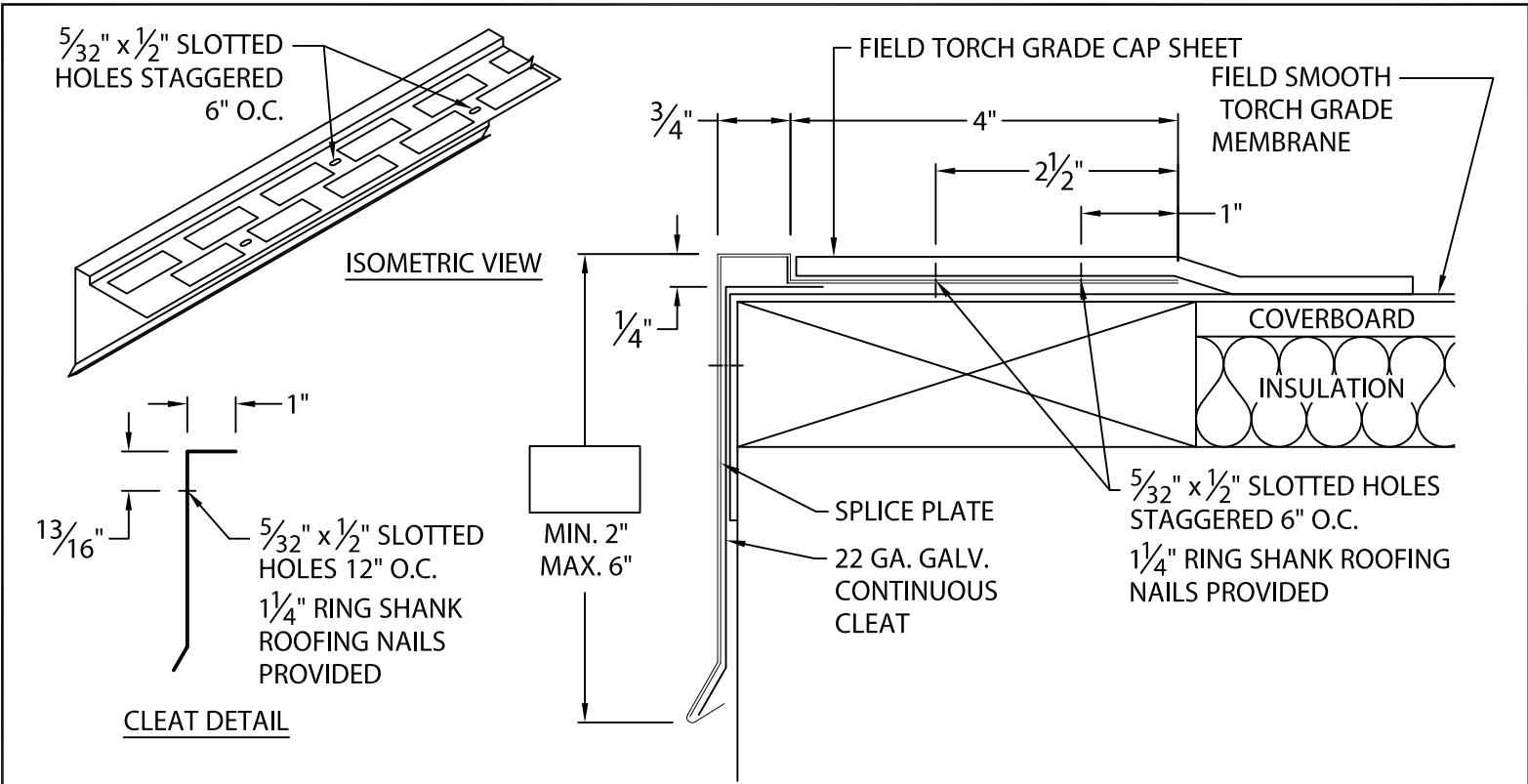




ENDURA™ -EDGE TG

6" MAX. FACE HEIGHT, BUILT-UP OR MODIFIED VERSION WITH CONTINUOUS CLEAT

ANSI/SPRI ES-1 DESIGN PRESSURE OF 276 psf



NOTES:

- INCLUDES 6" WIDE CONCEALED SPLICE PLATES.
- CONCEALED SPLICE PLATE MUST BE FIELD CAULKED TO PREVENT WATER ENTRY.
- FABRICATION OF MITERS AND ACCESSORIES ARE FURNISHED STANDARD UTILIZING A NON-PENETRATING QUICKLOCK JOINT, THEN FACTORY SEALED WATERTIGHT.

Fabrication will proceed only after receipt of signed print approval.

Print Approval:

Architect and/or contractor shall verify all dimensions, sizes and quantities. All products to be installed in strict accordance with Malarkey's printed instructions.

Approved by: _____

Date: _____

MATERIAL:

___ 24 GA. GALVANIZED STEEL

___ .040" ALUMINUM

COLOR: _____

FINISH: _____

QUANTITIES:

_____ LINEAL FEET (12'-0" LENGTHS)

_____ OUTSIDE MITERS @ 90°

_____ INSIDE MITERS @ 90°

FOR NON-90° MITERS SEE PRINT APPROVAL #47010-21232

PROJECT:

ARCHITECT:

ROOFING CONTRACTOR:

REPRESENTATIVE/DISTRIBUTOR:



PHONE: 800-794-2701

DATE: 02/25/19

DRN BY: ZS

CKD BY: SAK

SHT.# ___ OF ___

DWG# 47010-21149

E