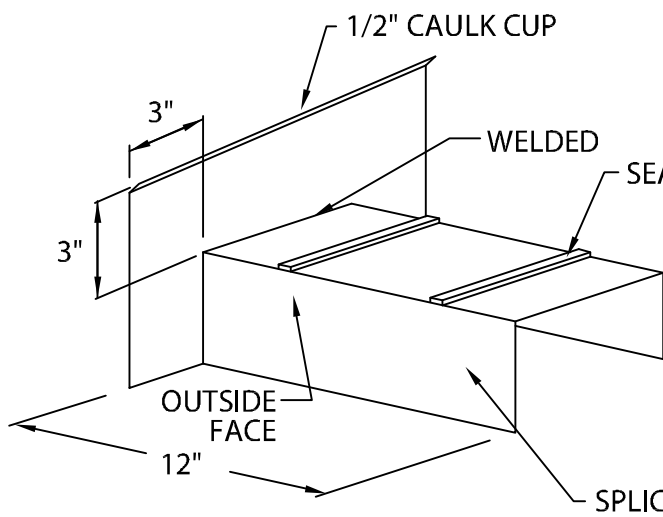
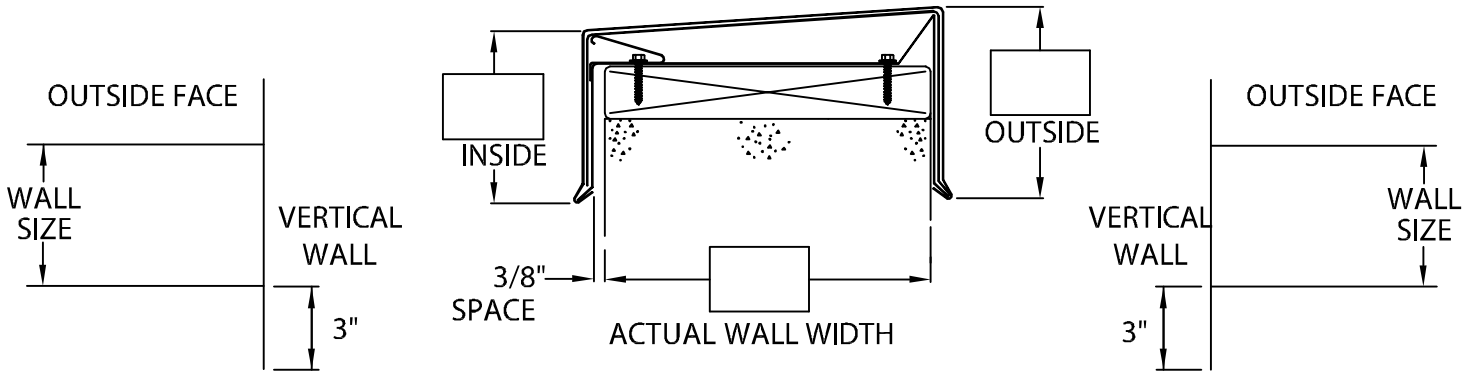
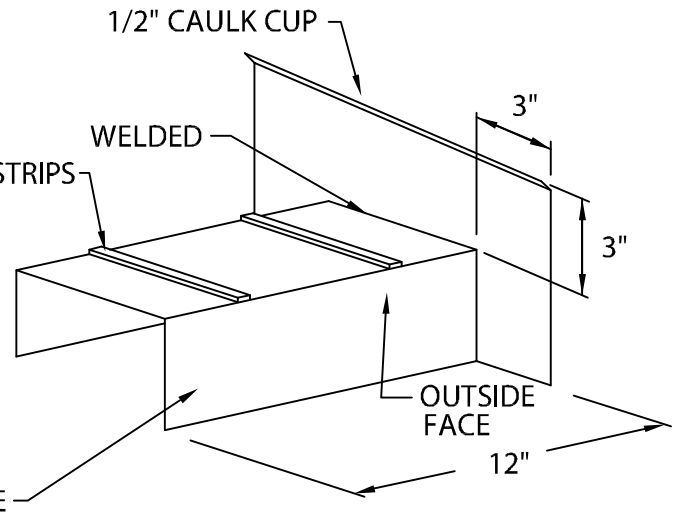


# ENDWALL FLASHING

SPLICE PLATE VERSION



**RIGHT END**



**LEFT END**

DIRECTION IS DETERMINED AS SEEN FROM ROOF SIDE

MATERIAL: COLOR: \_\_\_\_\_  
 .040" ALUMINUM FINISH: \_\_\_\_\_

QUANTITIES:  
 \_\_\_\_\_ RIGHT END FLASHING  
 \_\_\_\_\_ LEFT END FLASHING

AUTHORIZED SIGNATURE:  
 APPROVED BY: \_\_\_\_\_  
 DATE: \_\_\_\_\_

PROJECT: \_\_\_\_\_  
 ARCHITECT: \_\_\_\_\_  
 ROOFING CONTRACTOR: \_\_\_\_\_  
 REPRESENTATIVE/DISTRIBUTOR: \_\_\_\_\_



PHONE: 800-794-2701

DATE: 02/19/15	SHT.# _____ OF _____
DRN BY: JJC	DWG# 47011-21272
CKD BY: SAK	

**A**