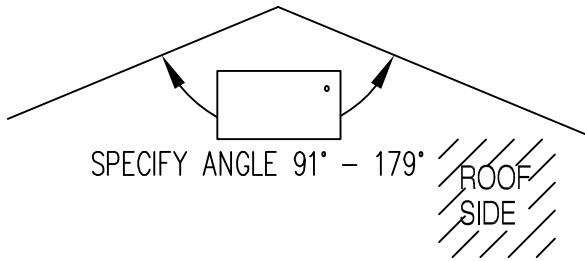


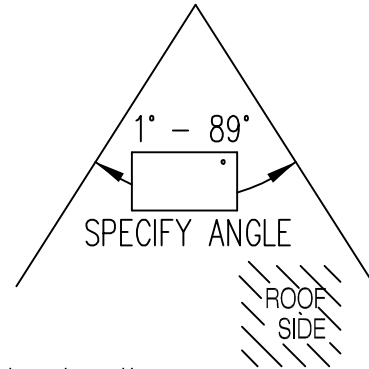
# NON-90° FASCIA MITERS

## OUTSIDE MITER - OBTUSE



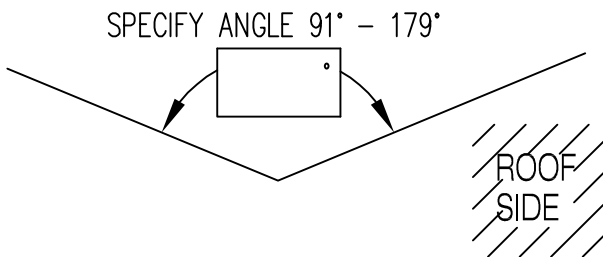
- Standard Leg Lengths
- Custom Leg Lengths \_\_\_\_\_ Qty \_\_\_\_\_

## OUTSIDE MITER - ACUTE



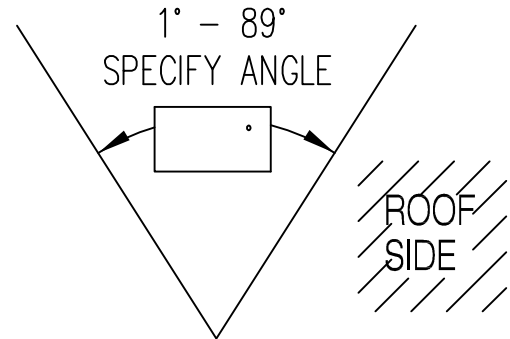
- Standard Leg Lengths
- Custom Leg Lengths \_\_\_\_\_ Qty \_\_\_\_\_

## INSIDE MITER - OBTUSE



- Standard Leg Lengths
- Custom Leg Lengths \_\_\_\_\_ Qty \_\_\_\_\_

## INSIDE MITER - ACUTE



- Standard Leg Lengths
- Custom Leg Lengths \_\_\_\_\_ Qty \_\_\_\_\_

Fabrication will proceed only after receipt of signed print approval.

## Print Approval:

Architect and/or contractor shall verify all dimensions, sizes, and quantities. All products to be installed in strict accordance with Sika Sarnafil printed instructions.

Approved by: \_\_\_\_\_

Date: \_\_\_\_\_

## METALS:

- \_\_\_\_ 24 Ga. (.65 mm) Galv.
- \_\_\_\_ .040" (1.01 mm) Alum. Color: \_\_\_\_\_
- \_\_\_\_ .050" (1.27 mm) Alum. Finish: \_\_\_\_\_
- \_\_\_\_ .063" (1.60 mm) Alum.
- \_\_\_\_ OTHER \_\_\_\_\_

Please Indicate Fascia System

- Anchor-Tite                       Edge-Tite Fascia
- Standard
- Ballast

PROJECT	Sika Sarnafil Inc. 100 Dan Road Canton, MA 02021 (800) 451-2504 Fax: (781) 828-5365
ARCHITECT	
ROOFING CONTRACTOR	
REPRESENTATIVE/DISTRIBUTOR	



DATE: 06/01/02
DRN BY: COB
CKD BY: SAK

SHT.# _____ OF _____
DWG# 14010-2823
<b>A</b>