



APPROVED
1-90

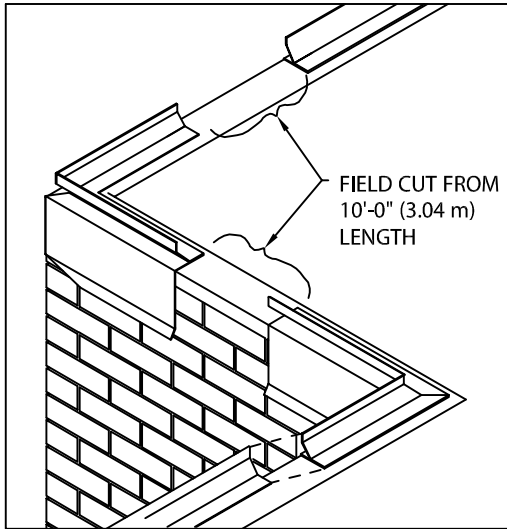
FOR .050" MATERIAL

PRESTO-LOCK FASCIA SYSTEM

FULLY ADHERED, MECHANICALLY ATTACHED OR STONE BALLAST SINGLE-PLY VERSION

INSTALLATION INSTRUCTIONS

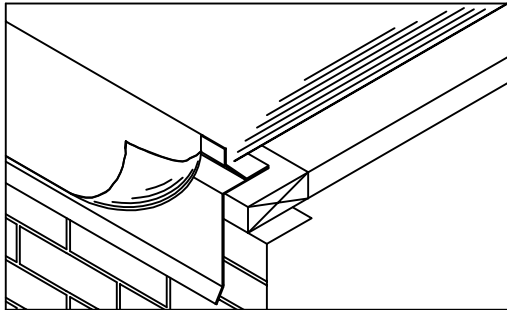
INSTALLATION INSTRUCTIONS FOR SINGLE PLY FULLY ADHERED, MECHANICALLY FASTENED, AND BALLASTED SYSTEM



1. FIELD MAKE AND INSTALL WATER DAM MITERS, NAILING THROUGH ON TOP FLANGE ONLY. DETERMINE AND IDENTIFY LOCATION OF SCUPPERS. DO NOT INSTALL SUPPERS AT THIS TIME. LEAVE GAP OF 20" FOR SUPPER LOCATIONS. THEN INSTALL THE 10'-0" SECTIONS OF WATER DAM BY NAILING THROUGH 6" O.C. WITH MINIMUM OF 1" GALVANIZED ROOFING NAILS. FIELD CUT SECTIONS AS NECESSARY. SECTIONS SHOULD BE BUTTED TOGETHER.

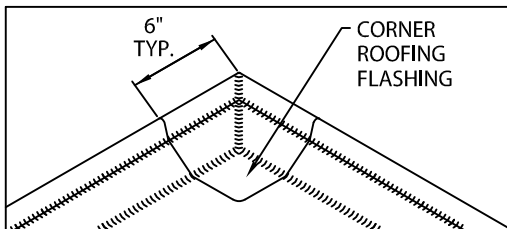
NOTE: DO NOT ATTACH FACE OF WATERDAM AT THIS TIME.

CAUTION: INSTALLERS SHALL WEAR PROTECTIVE EYEWEAR TO PREVENT SERIOUS INJURY.

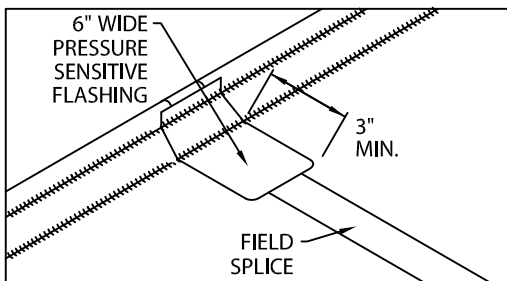


2. POSITION ROOF MEMBRANE OVER AND DOWN WATERDAM FACE APPROXIMATELY 1" BELOW LOWEST NAILER TAKING CARE TO AVOID BRIDGING OF ROOF MEMBRANE. ATTACH MEMBRANE 8" O.C. ON THE OUTSIDE FACE USING MINIMUM 1" GALVANIZED ROOFING NAILS. REFER TO JOHNS-MANVILLE'S CURRENT SPECIFICATIONS MANUAL FOR SPECIFIC REQUIREMENTS.

NOTE: DO NOT ADHERE ROOF MEMBRANE TO THE WATERDAM.



3. INSTALL ROOFING FLASHING AT ALL INSIDE AND OUTSIDE CORNERS. REFER TO JOHNS-MANVILLE'S CURRENT SPECIFICATIONS MANUAL FOR SPECIFIC REQUIREMENTS OF CORNER FLASHING.



4. INSTALL A 6" WIDE PRESSURE SENSITIVE FLASHING OVER ALL FIELD SEAMS AS SHOWN. REFER TO JOHNS-MANVILLE'S CURRENT SPECIFICATIONS FOR SPLICING PROCEDURES.



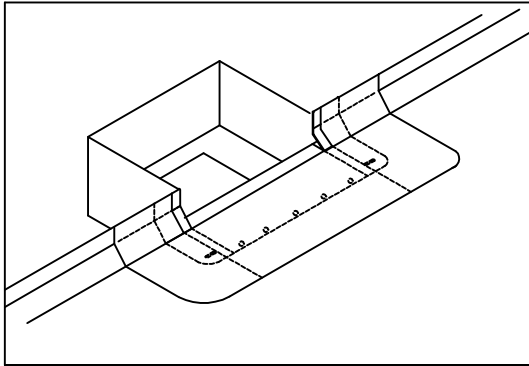
APPROVED
1-90

FOR .050" MATERIAL

PRESTO-LOCK FASCIA SYSTEM

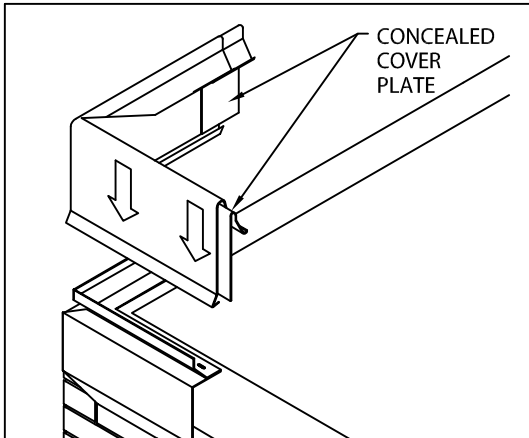
FULLY ADHERED, MECHANICALLY ATTACHED OR STONE BALLAST SINGLE-PLY VERSION

INSTALLATION INSTRUCTIONS

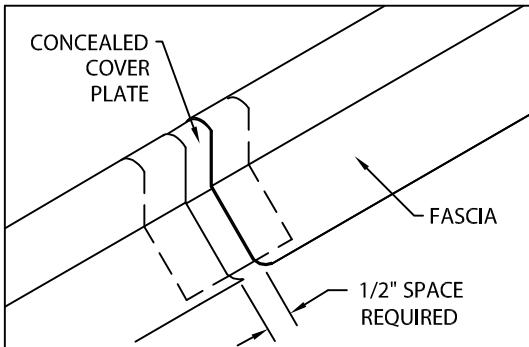


- INSTALL SPILLOUT SCUPPER OR FASCIA SUMP (IF APPLICABLE) AT PRE-DETERMINED LOCATIONS USING NAILS. IF FASCIA SUMP IS BEING INSTALLED, CENTER CONCEALED COVER PLATE ON THE JOINT. INSTALL SUMP COVER PLATE BY DOWNWARD PRESSURE UNTIL IT SNAPS FIRMLY IN PLACE. SLIDE 2" CONCEALED CLIP BEHIND CONCEALED COVER PLATE AND INTO BOTTOM OF HEM OF SUMP COVER PLATE.

NOTE: ROOF MEMBRANE IS INSTALLED UNDER SCUPPER. SCUPPER FLANGE SHALL BE SET IN CONTINUOUS BEAD OF WATER CUT-OFF MASTIC. INSTALL SCUPPER FLASHING AS SHOWN ON DETAIL. REFER TO JOHNS-MANVILLE CORNER FLASHING DETAILS.

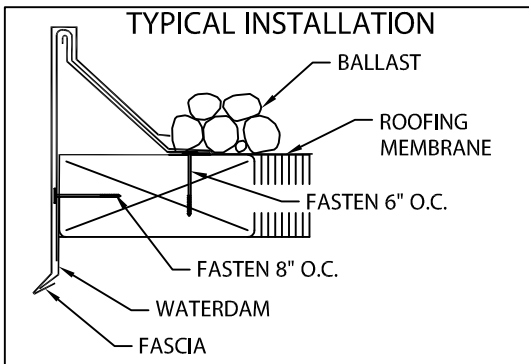


- INSTALL MITER COVER PLATES FIRST. INSERT ONE CONCEALED COVER PLATE UNDER EACH END OF MITER COVER. ALLOW A 1/2" SPACE (12.7 mm) BETWEEN ENDS OF ADJOINING FASCIA COVERS. INSTALL MITER COVERS BY PUSHING DOWNWARD UNTIL COVER IS ENGAGED ALONG ENTIRE MITER. FOR KYNAR OR ANODIZED COVER PLATES A 2" CONCEALED CLIP IS PROVIDED OF THE SAME COLOR. SLIDE THE 2" CONCEALED CLIP BEHIND CONCEALED COVER PLATE BEFORE INSTALLING THE 10'-0" COVER PLATES



- NEXT INSTALL 10'-0" FASCIA COVER SECTIONS, INSERTING ONE CONCEALED COVER PLATE UNDER EACH END OF FASCIA COVERS. INSTALL FASCIA BY PUSHING DOWNWARD UNTIL FASCIA IS ENGAGED TO WATERDAM ALONG ENTIRE LENGTH, THEN INSTALL 2" CONCEALED CLIP IF NECESSARY. BE SURE TO ALLOW A 1/2" SPACE BETWEEN ENDS OF FASCIA PANELS.

CAUTION: REMOVE PROTECTIVE FILM IMMEDIATELY BEFORE INSTALLATION, WHERE APPLICABLE.



- COMPLETE INSTALLATION BY PLACING BALLAST (IF REQUIRED) FOLLOWING JOHNS-MANVILLE ROOF MEMBRANE RECOMMENDATIONS.