



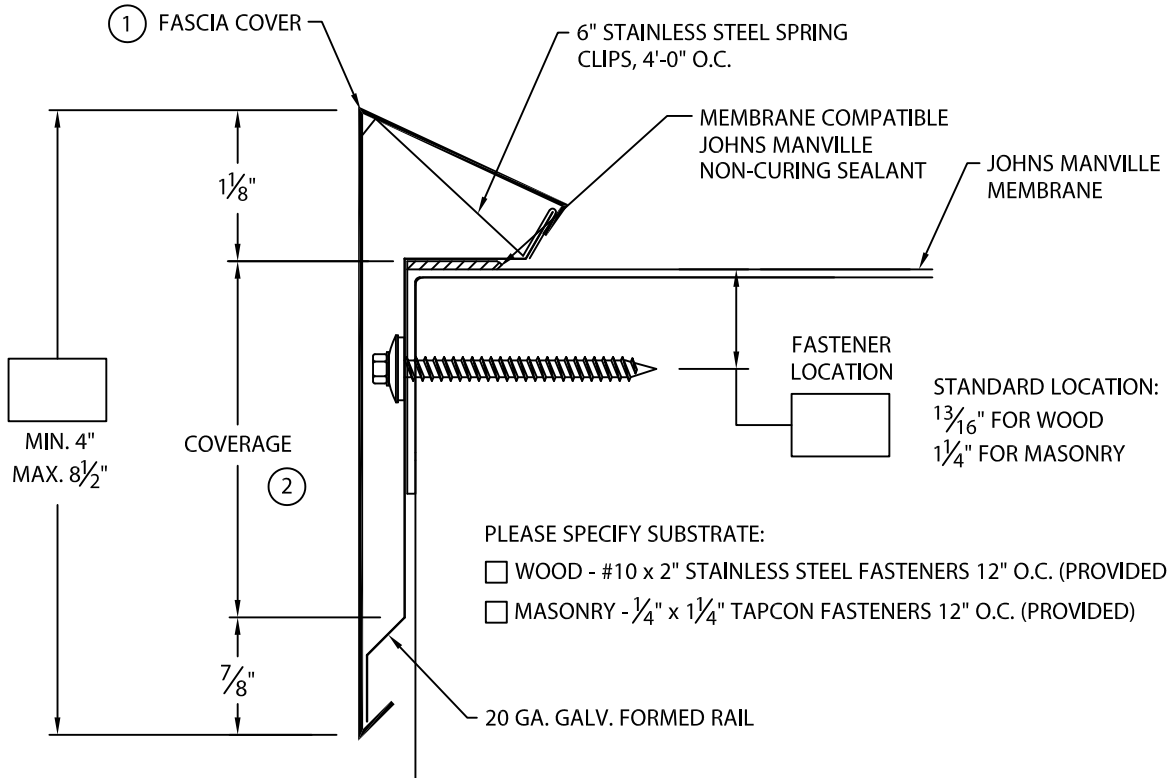
CUSTOM PRESTO-TITE EDGE ONE

FULLY ADHERED OR MECHANICALLY ATTACHED SINGLE-PLY VERSION

CUSTOM FACE SIZE, FASTENER LOCATION AND COVER LENGTHS - 24 GA., 22 GA. AND .040" COVER MATERIAL

ANSI/SPRI ES-1 DESIGN PRESSURE OF 155 psf

U.S. Patent # 5,927,023



NOTES:

- ① FASCIA COVER PROVIDED WITH 1" LAP JOINT
- ② TYPICALLY COVERAGE SHOULD EXTEND A MIN. OF 1" BELOW WOOD BLOCKING IF APPLICABLE.

MATERIAL:

- ___ 24 Ga. Galvanized Steel
- ___ 22 Ga. Galvanized Steel
- ___ .040" Aluminum
- ___ Other _____

Color: _____

Finish: _____

QUANTITIES:

___ Lineal Feet @ _____ Lengths

OR

___ Pcs. @ _____ Lengths

___ Outside Miters @ 90° (Cover Only)

___ Inside Miters @ 90° (Cover Only)

For Non-90° Miters, See Print Approval #16010-2320

Fabrication will proceed only after receipt of signed print approval.

Print Approval:

Architect and/or contractor shall verify all dimensions, sizes and quantities. All products to be installed in strict accordance Johns Manville's printed instructions.

Approved by: _____

Date: _____

PROJECT:

ARCHITECT:

ROOFING CONTRACTOR:

REPRESENTATIVE/DISTRIBUTOR:

51 Lexington Street; Lewiston, ME 04240
 CUSTOMER SERVICE: 800-223-8317 USA
 800-445-1500 Canada
 TECHNICAL SERVICE: 800-445-1500 USA & Canada
 FAX: 207-784-0125
 OTHER AREAS CALL: 207-784-0123



DATE: 11/30/18

DRN BY: JJC

CKD BY: SAK

SHT.# ___ OF ___

DWG# 16310-19982

H