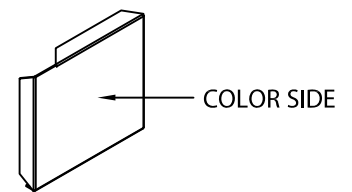
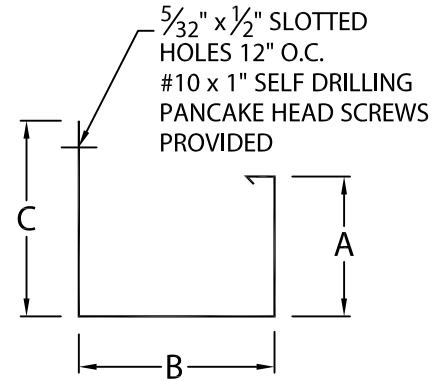
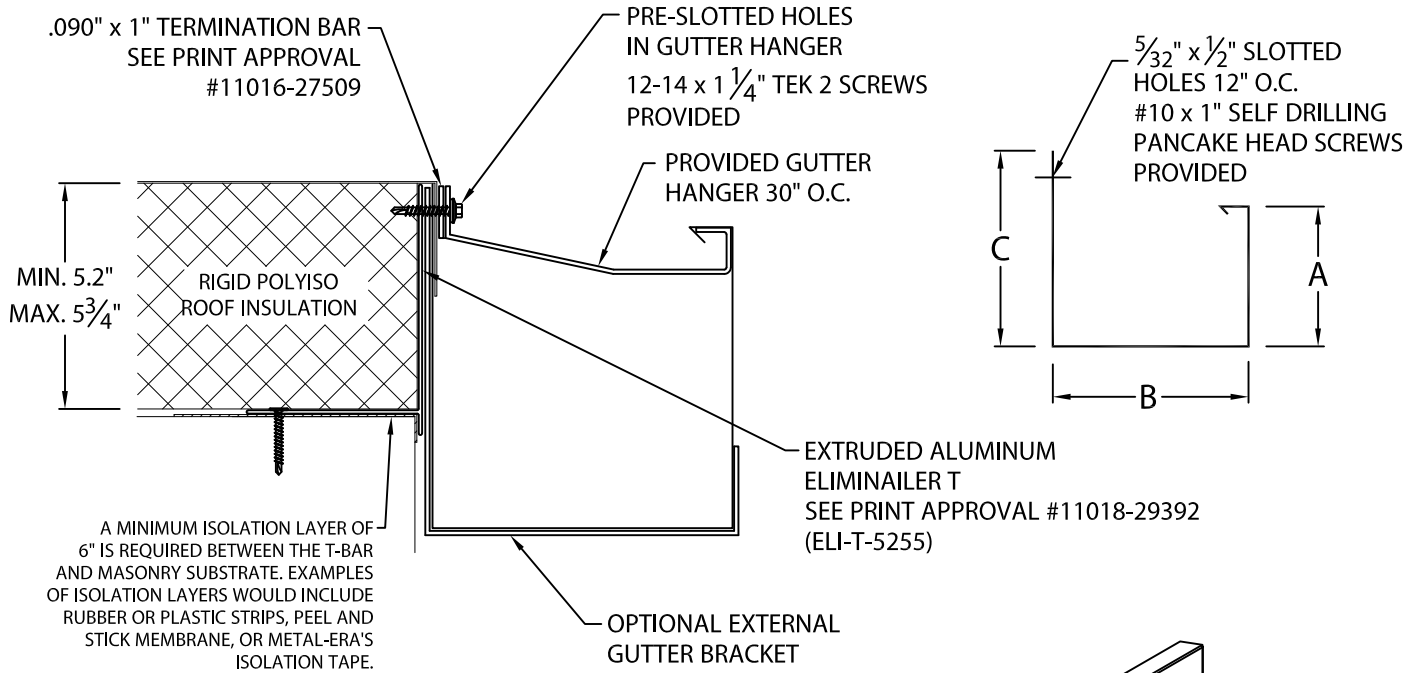


SEAL-TITE INDUSTRIAL GUTTER FOR USE WITH ELIMINAILER®-T

IG-B GUTTER, 5.2", 4" FLANGE ELIMINAILER VERSION

FOR USE WITH MASONRY WALL

U.S. PATENT # 9,878,023 B1



ENDCAP DETAIL (LEFT HAND SHOWN)

PRODUCT ID #	C	B	A	HANGER
<input type="checkbox"/> T-IGB-C8	8"	7"	7"	2" X .100 Mill
<input type="checkbox"/> T-IGB-C9	9"	8"	8"	2" X .100 Mill

NOTES:
 - MAXIMUM DOWNSPOUT DIMENSION NOT TO EXCEED "B" MINUS 9/16".
 - 2" LAP JOINTS PROVIDED.
 - 1/8" STAINLESS STEEL POP RIVETS PROVIDED.
 -- UNLESS OTHERWISE NOTED, FABRICATION OF MITERS ARE FURNISHED STANDARD UTILIZING A NON-PENETRATING QUICKLOCK JOINT, THEN FACTORY SEALED WATERTIGHT.
 - WELDED ACCESSORIES REQUIRE A MINIMUM MATERIAL THICKNESS OF .050".

Fabrication will proceed only after receipt of signed print approval.

Print Approval:
 Architect and/or contractor shall verify all dimensions, sizes and quantities. All products to be installed in strict accordance with Metal-Era's printed instructions.

Approved by: _____
 Date: _____

MATERIAL:
 ___ 24 GA. GALVANIZED STEEL
 ___ .040" ALUMIINIUM COLOR: _____
 ___ .050" ALUMINUM FINISH: _____
 ___ .063" ALUMINUM
 ___ OTHER _____

QUANTITIES:
 _____ LINEAL FEET 12'-0" LENGTHS
 _____ OUTSIDE MITERS @ 90°
 _____ INSIDE MITERS @ 90°
 _____ RIGHT ENDCAPS
 _____ LEFT ENDCAPS
 _____ EXPANSION JOINTS STYLE "1"
 _____ EXPANSION JOINTS STYLE "2"

SPECIFY MITER TYPE:
 WELDED
 QUICKLOCK

FOR NON-90 MITERS SEE PRINT APPROVAL #11012-10010

PROJECT: _____

ARCHITECT: _____

ROOFING CONTRACTOR: _____

REPRESENTATIVE/DISTRIBUTOR: _____

Corporate Offices, Manufacturing
 1600 Airport Road; Waukesha, WI 53188
 Phone: 800-558-2162
 Fax: 800-373-9156
 www.metalera.com

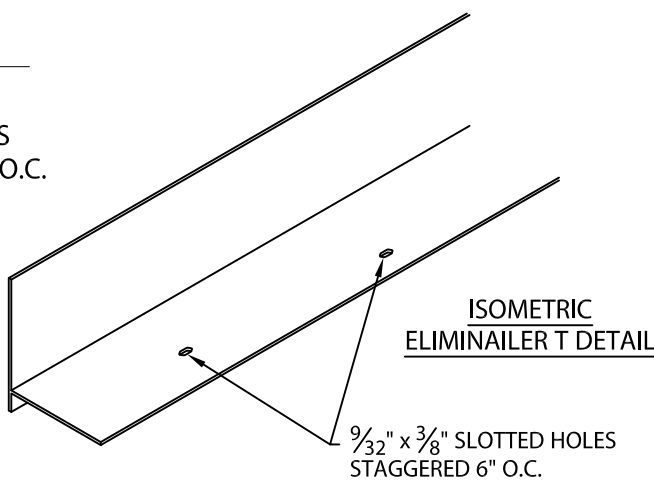
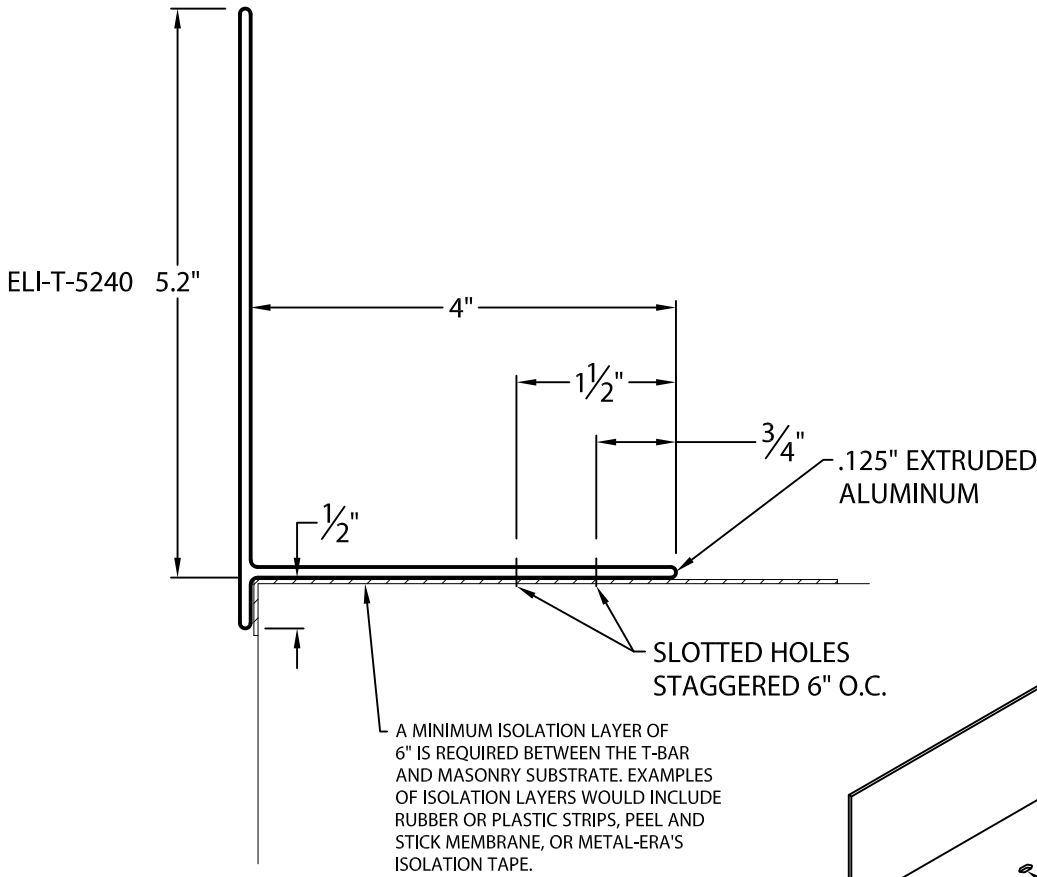


DATE: 05/17/19 SHT.# _____ OF _____
 DRN BY: ZS
 CKD BY: JAI DWG# 11012-29714 **B**

ELIMINAILER®-T

FOR USE WITH MASONRY WALL, 5.2", 4" FLANGE VERSION

U.S. PATENT # 9,878,023 B1



Fabrication will proceed only after receipt of signed print approval.

Print Approval:

Architect and/or contractor shall verify all dimensions, sizes and quantities. All products to be installed in strict accordance with Metal-Era's printed instructions.

Approved by: _____
Date: _____

PLEASE INDICATE SUBSTRATE (IF SUBSTRATE INFORMATION IS NOT GIVEN, CONCRETE WALL FASTENERS WILL BE PROVIDED)

- CONCRETE WALL (3000 PSI CONCRETE):
#14 x 1 1/4" FASTENERS PROVIDED
- CMU WALL (1500 PSI):
1/4" x 1 1/2" SPIKE FASTENERS PROVIDED

QUANTITIES:

_____ LINEAL FEET 12'-0" LENGTHS
_____ ROLLS ISOLATION TAPE 6" WIDE (180 FT PER ROLL)

PROJECT: _____
ARCHITECT: _____
ROOFING CONTRACTOR: _____
REPRESENTATIVE/DISTRIBUTOR: _____

Corporate Offices, Manufacturing
1600 Airport Road; Waukesha, WI 53188
Phone: 800-558-2162
Fax: 800-373-9156
www.metalera.com

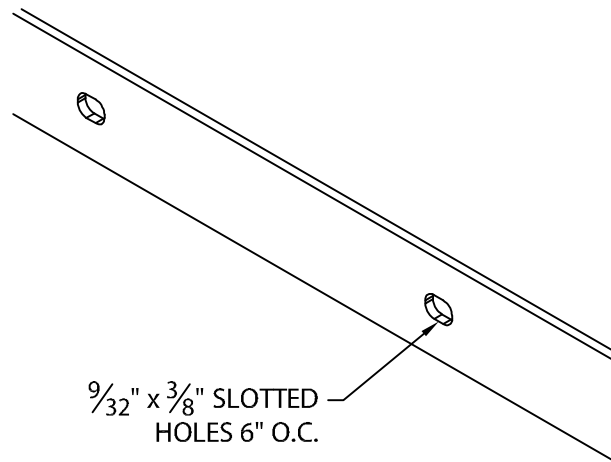
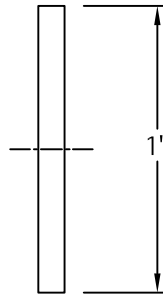


DATE: 07/30/18
DRN BY: JJC
CKD BY: SAK
SHT.# ____ OF ____
DWG# 11018-29392

A

TERMINATION BAR

CB-90



9/32" x 3/8" SLOTTED HOLES 6" O.C.

Fabrication will proceed only after receipt of signed print approval.

Print Approval:

Architect and/or contractor shall verify all dimensions, sizes and quantities. All products to be installed in strict accordance with Metal-Era's printed instructions.

Approved by: _____

Date: _____

MATERIAL:

.090" ALUMINUM

QUANTITIES:

_____ LINEAL FEET 12'-0" LENGTHS

PROJECT:

ARCHITECT:

ROOFING CONTRACTOR:

REPRESENTATIVE/DISTRIBUTOR:

Corporate Offices, Manufacturing
1600 Airport Road; Waukesha, WI 53188
Phone: 800-558-2162
Fax: 800-373-9156
www.metalera.com



DATE: 11/09/17

DRN BY: JJC

CKD BY: SAK

SHT.# ____ OF ____

DWG# 11016-27509

A