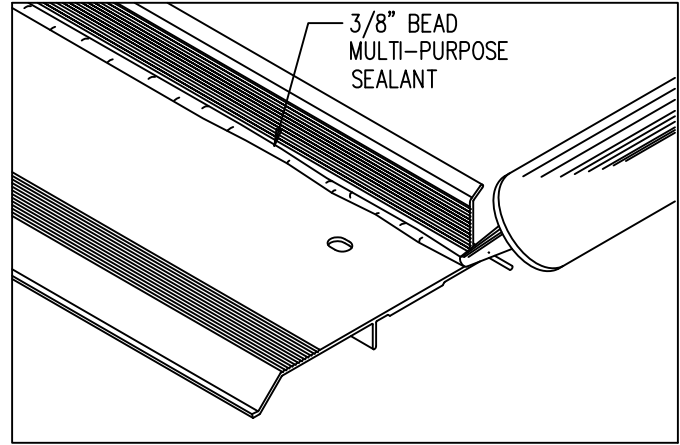


1. Roof Membrane

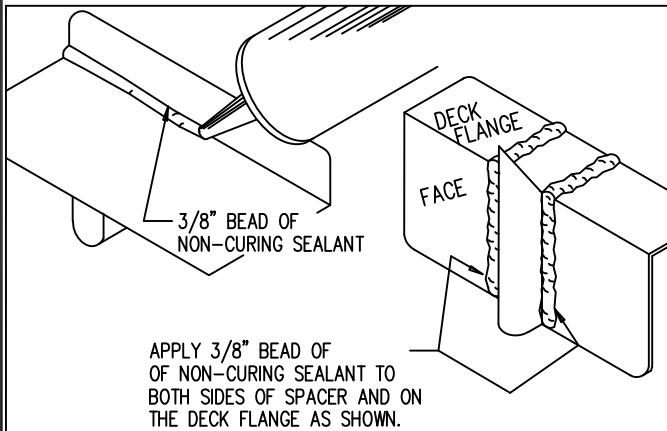
Position membrane over the roof edge and down outside face of wall, covering treated wood nailer(s) completely. Allow 1/2" excess membrane.

IMPORTANT! Outside edge of treated wood nailer(s) (minimum 2 x 4) shall be aligned flush with or extend slightly past outermost edge of wall.



2. Miter & Scupper Anchor Bar (Preparation)

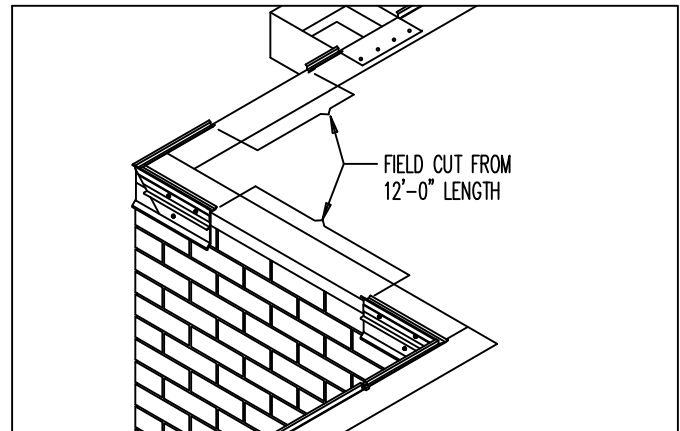
Lay miters and spill out scuppers on deck with outside face down. Be sure aluminum anchor bar is clean and free of dirt or dust. Apply a heavy 3/8" bead of multi-purpose sealant to the right angle intersection of the deck flange and back of the anchor bar as shown. Application of sealant is required along the full length of each miter anchor bar.



3. Anchor Bar Splice Plates

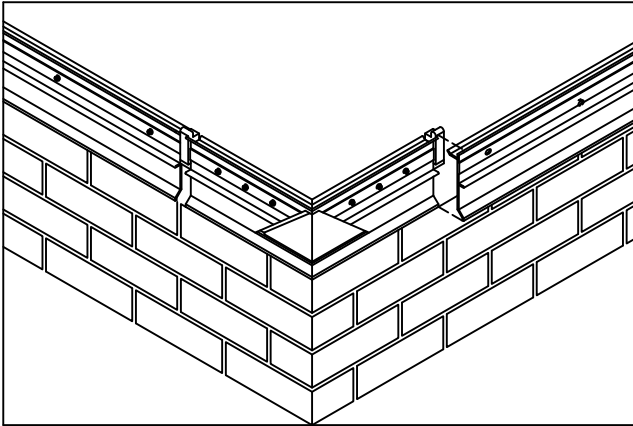
Apply multi-purpose sealant to each splice plate as shown and described in STEP 2.

CAUTION! Installers shall wear protective eye wear to prevent injury. Do not over-drive fasteners, as stripping can occur at high driver torque. Recommended Driving Tool: 600 - 800 rpm electric drill equipped with depth-sensing nose-piece to prevent driving and stripout. Do not use impact type tool.



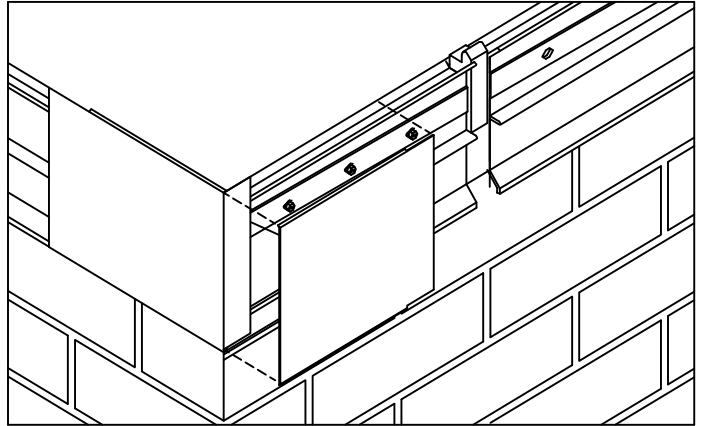
4. Miter Bar Installation

Fold roofing membrane at corners and install miters using the 2" hex head stainless steel fasteners and driver bit furnished by Sika Sarnafil. Fasten anchor bar corners to nailer with one splice plate under each end of corner. The EPDM gasket must be snug to ends of anchor bar. Next locate and install spill outs and scuppers with sealant, 2" fasteners and splice plates.



5. Anchor Bar (Installation)

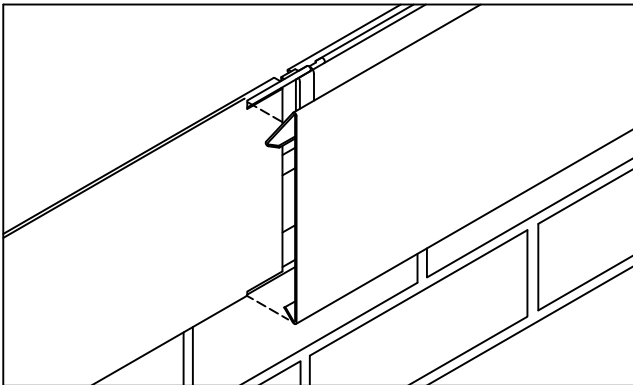
Position 12'-0" sections of anchor bar with applied multi-purpose sealant shown in steps 2 & 3 overlapping splice plate and butting snugly into EPDM. Allow 1/2" space between anchor bars. Install splice plates at other end of 12'-0" bar. Fasten anchor bar 12" O.C. through slots using the 2" stainless steel fasteners provided. Field cut sections as necessary.



6. Fascia Miters Covers

Install 2-piece "snap-on" fascia corner covers first by snapping on fascia corner cover with 90° (degree) tab, followed by fascia corner cover without the tab. Simply position the cover atop bar and with palm of hand apply slight pressure downward until engaged to anchor bar.

IMPORTANT! Be sure to remove protective plastic film prior to installing each fascia section.



7. Fascia Covers

Position 12'-0" fascia covers on top of anchor bar and overlap preceding cover approximately 1" at notches provided. Fascia covers shall be installed from right to left as seen from rooftop. With fascia covers in correct position atop anchor bar, simply snap each section onto anchor bar by applying downward pressure with palm of the hand until the fascia cover is fully engaged along the entire length. Continue to install fascia covers, field cutting where necessary using fine tooth hacksaw.

