

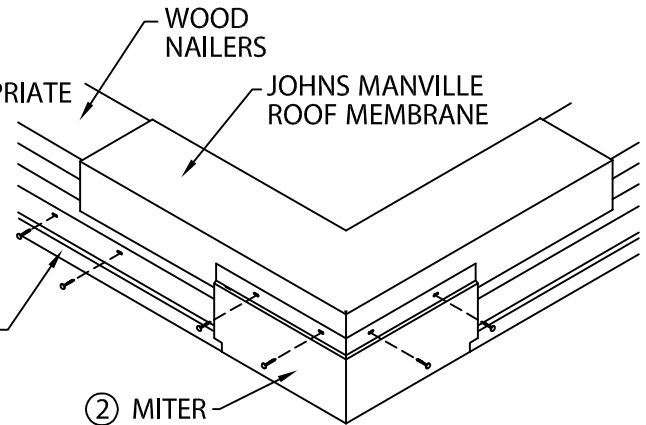
PRESTO-LOCK / TITE EXTENDER

LAP JOINT VERSION

INSTALLATION INSTRUCTIONS

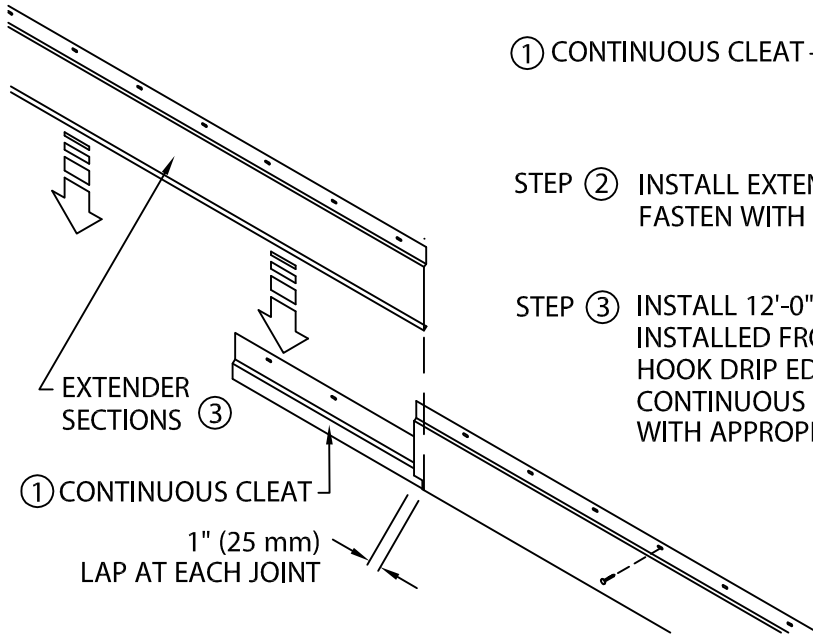
NOTE: INSTALL MITERS FIRST.

STEP ① POSITION 12'-0" (3.65 m) CONTINUOUS CLEAT SECTIONS THEN FASTEN 12" (305 mm) O.C. AS SHOWN WITH APPROPRIATE FASTENERS. LAP CONTINUOUS CLEAT 1" AT JOINTS.

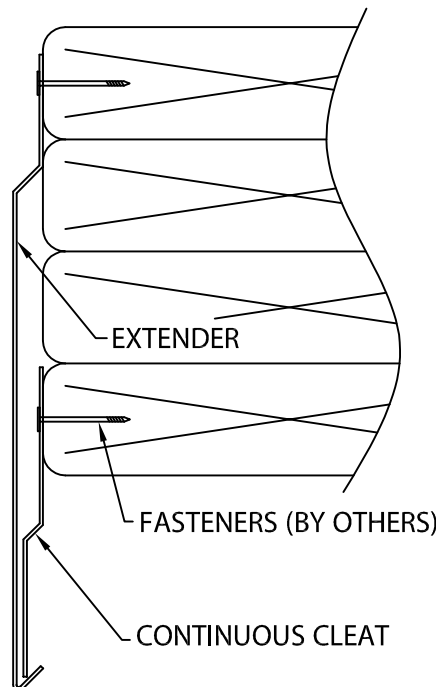


STEP ② INSTALL EXTENDER MITERS FIRST AS SHOWN. FASTEN WITH APPROPRIATE FASTENERS FOR SUBSTRATE.

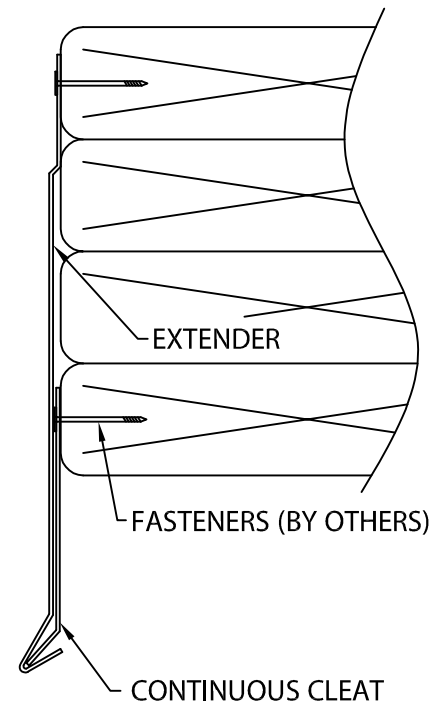
STEP ③ INSTALL 12'-0" (3.65 m) EXTENDER SECTIONS. EXTENDER SHALL BE INSTALLED FROM RIGHT TO LEFT AS SEEN FROM ROOFTOP. HOOK DRIP EDGE OF EACH EXTENDER SECTION ONTO CONTINUOUS CLEAT. LAP 1" (25 mm) AT ALL JOINTS. FASTEN WITH APPROPRIATE FASTENERS.



STYLE I INSTALLATION



STYLE II INSTALLATION



FASTEN EXTENDER AND CONTINUOUS CLEAT WITH APPROPRIATE FASTENERS

④ 1" (25.4 mm) LAP AT EACH JOINT

STEP ④ CONTINUE BY INSTALLING EXTENDER SECTIONS LAPPING 1" (25 mm) AS SHOWN. FIELD CUT AND NOTCH AS NECESSARY.

CAUTION: REMOVE PROTECTIVE FILM IMMEDIATELY AFTER INSTALLATION. INSTALLERS SHALL WEAR PROTECTIVE EYEWEAR TO PREVENT INJURY.