

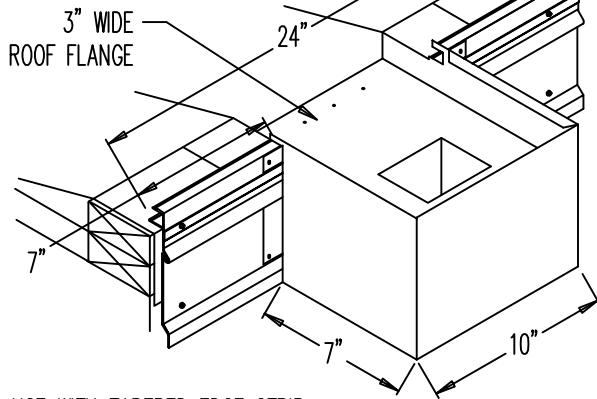
# ANCHOR-TITE SCUPPERS

FOR USE WITH FULLY ADHERED OR MECHANICALLY ATTACHED SINGLE-PLY ROOF SYSTEMS

NOTE: TREATED WOOD NAILERS REQUIRED.

SCUPPERS -- FACTORY WELDED CONSTRUCTION

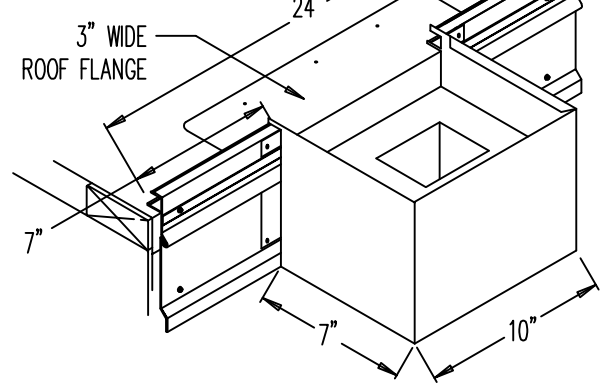
## DOWNSPOUT SCUPPER TYPE DSA (TAPERED)



FOR USE WITH TAPERED EDGE STRIP.  
FLANGE LOWERED 1-1/2\".

NOTE : SPECIFY TUBE SIZE

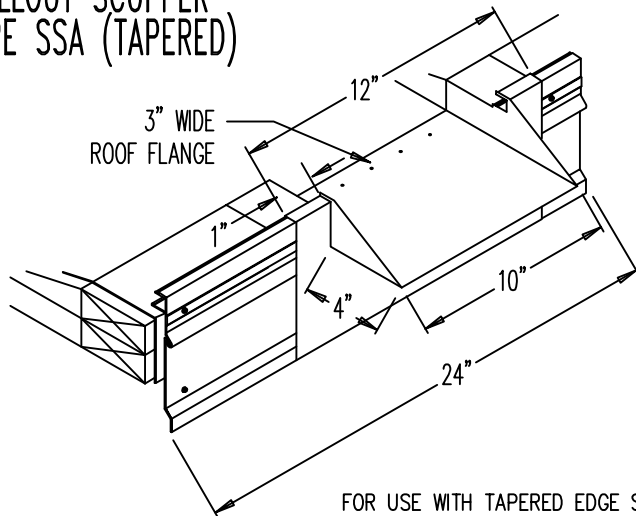
## DOWNSPOUT SCUPPER TYPE DSB (FLAT)



FOR USE WITHOUT TAPERED EDGE STRIP.  
FLANGE FLUSH MOUNTED WITH ROOF.

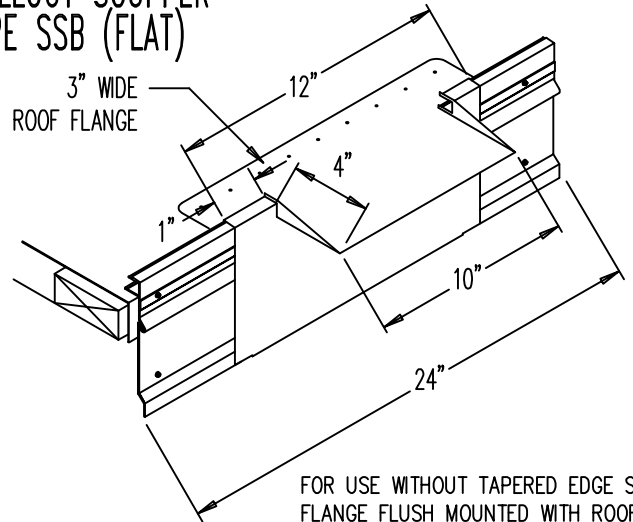
NOTE : SPECIFY TUBE SIZE

## SPILOUT SCUPPER TYPE SSA (TAPERED)



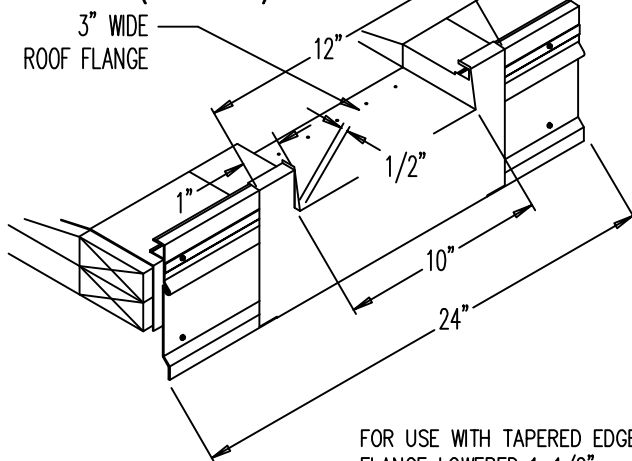
FOR USE WITH TAPERED EDGE STRIP.  
FLANGE LOWERED 1-1/2\".

## SPILOUT SCUPPER TYPE SSB (FLAT)



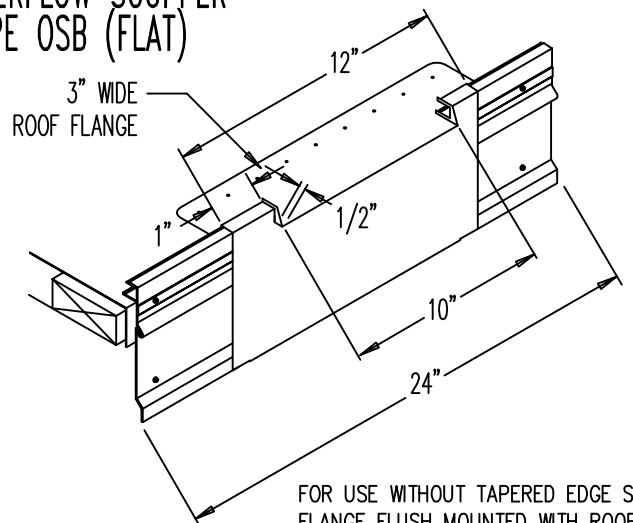
FOR USE WITHOUT TAPERED EDGE STRIP.  
FLANGE FLUSH MOUNTED WITH ROOF.

## OVERFLOW SCUPPER TYPE OSA (TAPERED)



FOR USE WITH TAPERED EDGE STRIP.  
FLANGE LOWERED 1-1/2\".

## OVERFLOW SCUPPER TYPE OSB (FLAT)



FOR USE WITHOUT TAPERED EDGE STRIP.  
FLANGE FLUSH MOUNTED WITH ROOF.



Sika Sarnafil Inc.  
(800) 451-2504

www.metalera.com/sikasarnafil

DATE: 04/05/04

DRN BY: JWH

CKD BY: SAK

SHT.# \_\_\_ OF \_\_\_

DWG# 14510-4000

D