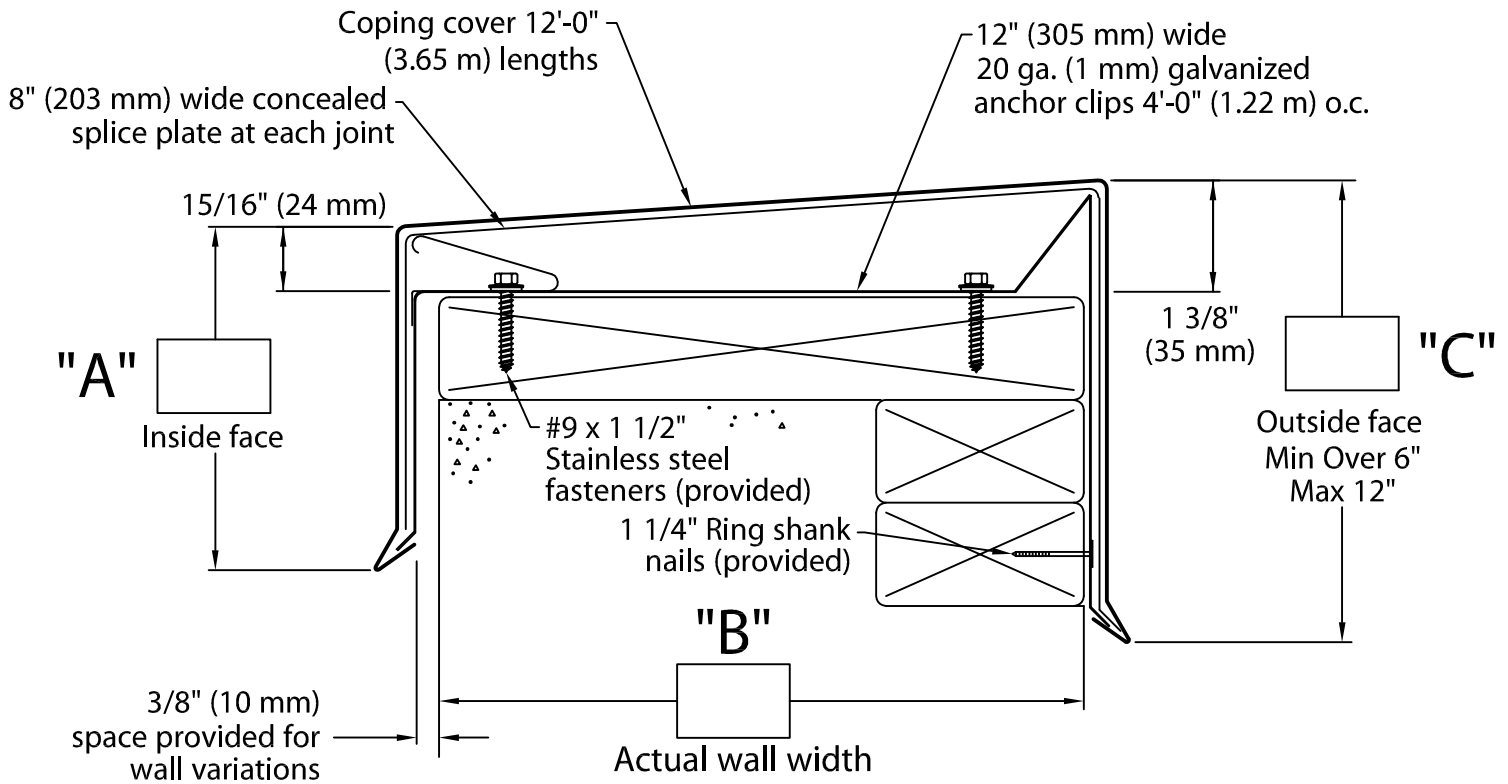


DOW COPING

OVER 6" TO 12" FACE HEIGHT TAPERED VERSION

ANSI/SPRI ES-1 TESTED



Coping is to be installed per Specifications and Dow Roofing Systems' Installation Instruction Dwg. # 12111-4058

-- Concealed splice plates are provided with factory applied non-curing sealant strips.
 -- Unless otherwise noted, fabrication of miters and accessories are furnished standard utilizing a non-penetrating quicklock joint, then factory sealed watertight.

-- Welded Miters and Accessories
 Check one Required (surcharge) Not applicable

MATERIAL:

___ 24 Ga. (0.65 mm) Galv.
 ___ .040" (1.01 mm) Alum. Color: _____
 ___ .050" (1.27 mm) Alum.
 ___ .063" (1.60 mm) Alum. Finish: _____
 ___ OTHER _____

QUANTITIES:

_____ Lineal Feet (12'-0" (3.65 m) Lengths)
 _____ Outside Miters @ (_____)°
 _____ Inside Miters @ (_____)°
 _____ Right End Caps
 _____ Left End Caps

Fabrication will proceed only after receipt of signed print approval.

Print Approval:

Architect and/or contractor shall verify all dimensions, sizes and quantities. All products to be installed in strict accordance with Dow Roofing Systems' printed instructions.

Approved by: _____

Date: _____

PROJECT:

ARCHITECT:

ROOFING CONTRACTOR:

REPRESENTATIVE/DISTRIBUTOR:

Corporate Offices
 Dow Roofing Systems
 Nine Sullivan Road
 Holyoke, MA 01040
 P: 800-621-ROOF



ROOFING SYSTEMS

DATE: 02/25/09

DRN BY: JJC

CKD BY: SAK

SHT.# ___ OF ___

DWG# 12011-6766

C