

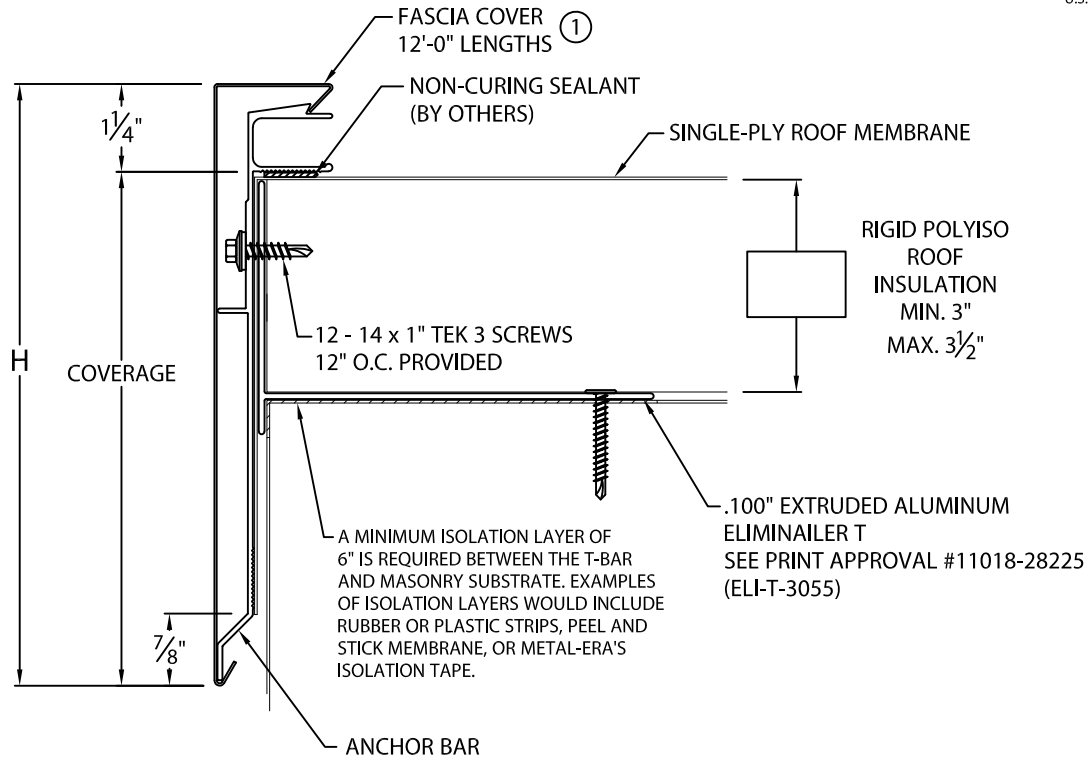


ANCHOR-TITE HG FOR USE WITH ELIMINAILER®-T

3" ELIMINAILER VERSION

FOR USE WITH MASONRY WALL

U.S. PATENT # 9,878,023 B1



NOTES:

- ① FASCIA COVER PROVIDED WITH 3½" WIDE SPLICE PLATES.
- ② NOT AVAILABLE IN 24 GA. GALV. STEEL OR .040" ALUMINUM.

ANCHOR-TITE HG DIMENSIONS

PRODUCT ID. NO.	H DIM	COVERAGE
<input type="checkbox"/> T-HG-AF-70	7"	5¾"
<input type="checkbox"/> T-HG-AF-85	8½"	7¼"
<input type="checkbox"/> T-HG-AF-100 ②	10"	8¾"

Fabrication will proceed only after receipt of signed print approval.

Print Approval:

Architect and/or contractor shall verify all dimensions, sizes and quantities. All products to be installed in strict accordance with Metal-Era's printed instructions.

Approved by: _____

Date: _____

HG COVER MATERIAL:

- ____ 24 GA. GALVANIZED STEEL COLOR: _____
- ____ 22 GA. GALVANIZED STEEL FINISH: _____
- ____ .040" ALUMINUM
- ____ .050" ALUMINUM
- ____ .063" ALUMINUM
- ____ OTHER _____

QUANTITIES:

- ____ LINEAL FEET 12'-0" LENGTHS
- ____ OUTSIDE MITER(S) @ 90°
- ____ INSIDE MITER(S) @ 90°
- ____ OVERFLOW SCUPPER(S) STYLE ____A____B
- ____ SPILLOUT SCUPPER(S) STYLE ____A____B
- ____ DOWNSPOUT(S) STYLE ____A____B (____x____) DOWNSPOUT SIZE
A: TAPERED 1 1/2" DROP B: FLAT

FOR NON-90 MITERS SEE PRINT APPROVAL #11010-1103

PROJECT:

ARCHITECT:

ROOFING CONTRACTOR:

REPRESENTATIVE/DISTRIBUTOR:

Corporate Offices, Manufacturing
1600 Airport Road; Waukesha, WI 53188
Phone: 800-558-2162
Fax: 800-373-9156
www.metalera.com



DATE: 03/14/18

DRN BY: JJC

CKD BY: SAK

SHT.# ____ OF ____

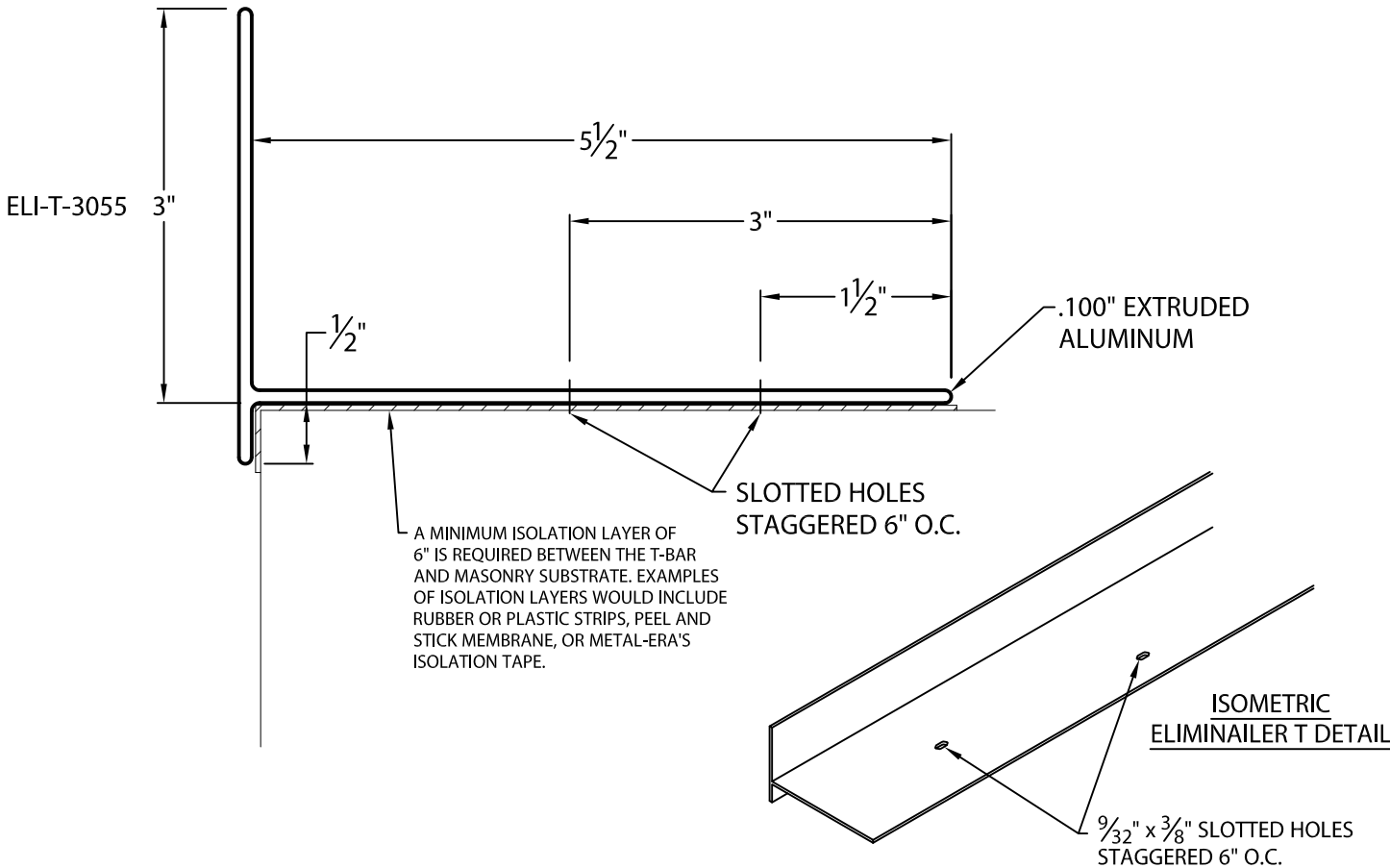
DWG# 11010-26041

A

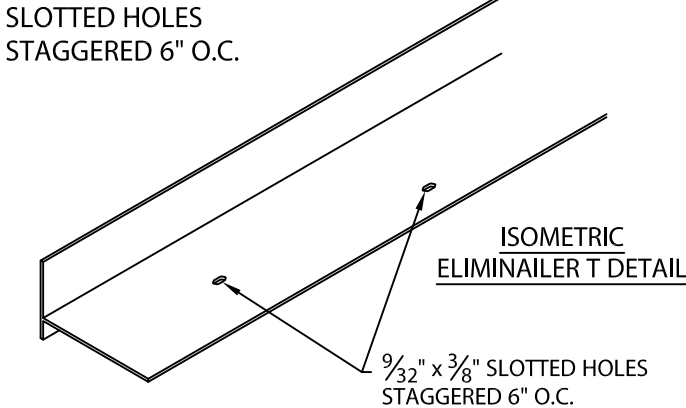
ELIMINAILER®-T

FOR USE WITH MASONRY WALL, 3" VERSION

U.S. PATENT # 9,878,023 B1



A MINIMUM ISOLATION LAYER OF 6" IS REQUIRED BETWEEN THE T-BAR AND MASONRY SUBSTRATE. EXAMPLES OF ISOLATION LAYERS WOULD INCLUDE RUBBER OR PLASTIC STRIPS, PEEL AND STICK MEMBRANE, OR METAL-ERA'S ISOLATION TAPE.



Fabrication will proceed only after receipt of signed print approval.

Print Approval:

Architect and/or contractor shall verify all dimensions, sizes and quantities. All products to be installed in strict accordance with Metal-Era's printed instructions.

Approved by: _____

Date: _____

PLEASE INDICATE SUBSTRATE (IF SUBSTRATE INFORMATION IS NOT GIVEN, CONCRETE WALL FASTENERS WILL BE PROVIDED)

- CONCRETE WALL (3000 PSI CONCRETE):
#14 x 1 1/4" FASTENERS PROVIDED
- CMU WALL (1500 PSI):
1/4" x 1 1/2" SPIKE FASTENERS PROVIDED

QUANTITIES:

_____ LINEAL FEET 12'-0" LENGTHS
 _____ ROLLS ISOLATION TAPE 6" WIDE (180 FT PER ROLL)

PROJECT: _____

ARCHITECT: _____

ROOFING CONTRACTOR: _____

REPRESENTATIVE/DISTRIBUTOR: _____

Corporate Offices, Manufacturing
 1600 Airport Road; Waukesha, WI 53188
 Phone: 800-558-2162
 Fax: 800-373-9156
 www.metalera.com



DATE: 03/14/18 SHT.# ____ OF ____

DRN BY: JJC

CKD BY: SAK DWG# 11018-28225 **A**