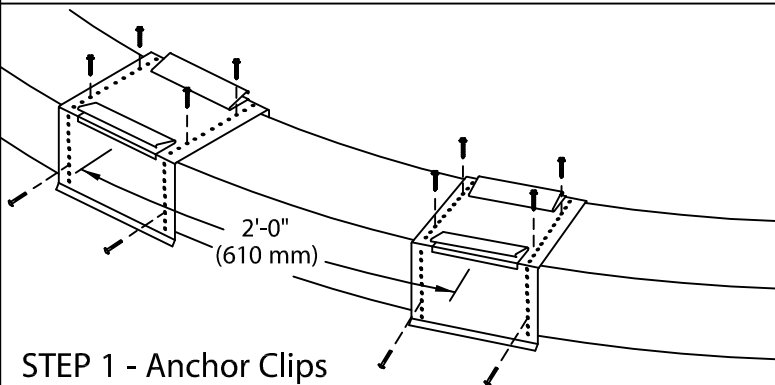


# PERMA-TITE RADIUS COPING

EXISTING SLOPE WITHOUT NAILER, OVER 6" TO 12" FACE HEIGHT, MASONRY ATTACHED VERSION - 2'-0" O.C.

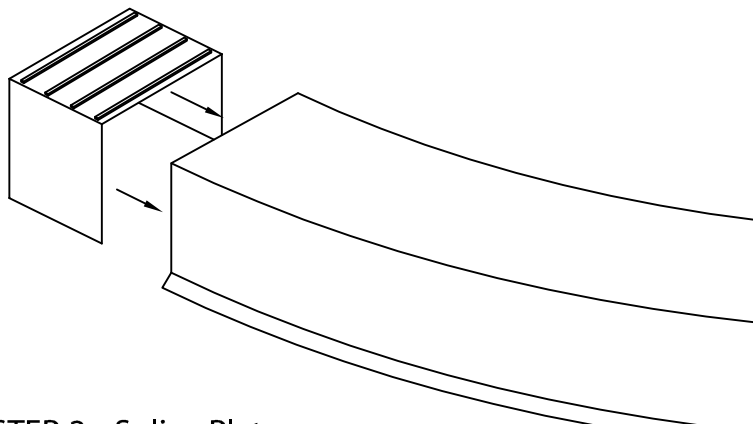
## INSTALLATION INSTRUCTIONS

**NOTE:** Position roof membrane on top of the wall covering the treated wood nailer(s) or substrate completely. Allow 1/2" (13 mm) minimum excess membrane beyond nailer where applicable. NRCA Requirement.



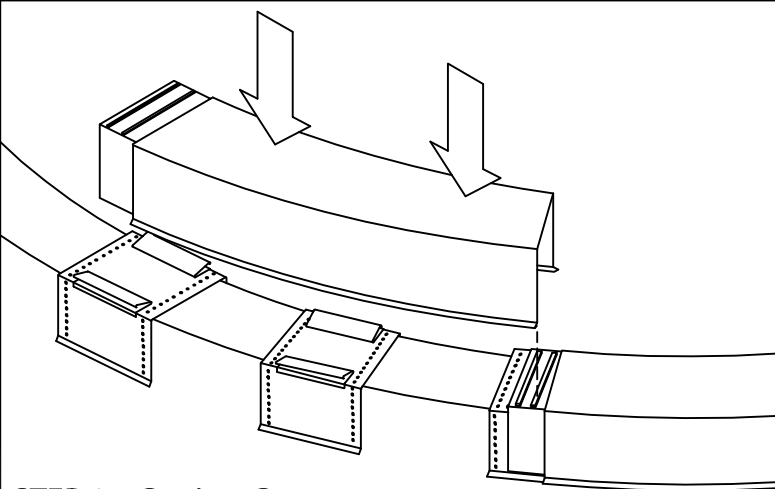
### STEP 1 - Anchor Clips

Locate and fasten 8" (203 mm) wide anchor clips at 2'-0" (610 mm) O.C. with provided fasteners for substrate (see detail A).



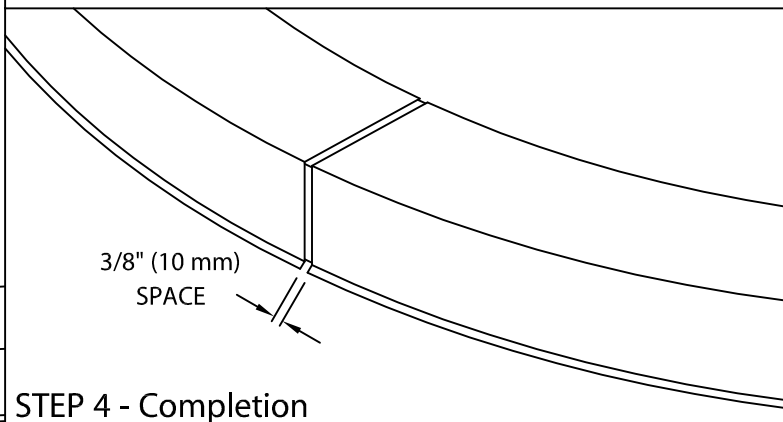
### STEP 2 - Splice Plates

Remove release paper from left two sealant strips. Insert splice plate into the right end of radius section.



### STEP 3 - Coping Cover

Remove release paper from right two factory applied sealant strips on the splice plate in the coping section. Install 4'-0" (1.22 m) radius coping sections from left to right. Place coping into position and press downward until snap-lock occurs.



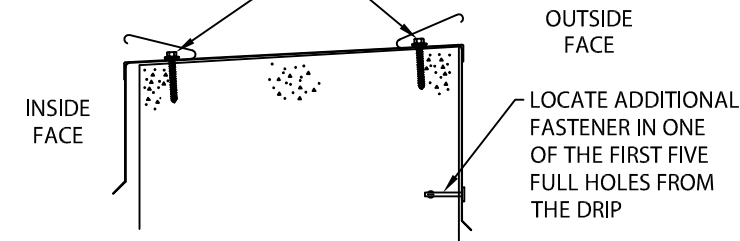
### STEP 4 - Completion

Continue installing coping with a 3/8" (10 mm) space at splice joints to allow for thermal expansion. Field cut where necessary using a fine tooth hacksaw or snips.

**NOTE:** REMOVE PROTECTIVE FILM IMMEDIATELY.

### ANCHOR CLIP FASTENING-DETAIL A

LOCATE FASTENER IN THIRD FULL HOLE FROM BEND



### TYPICAL COPING INSTALLATION

