



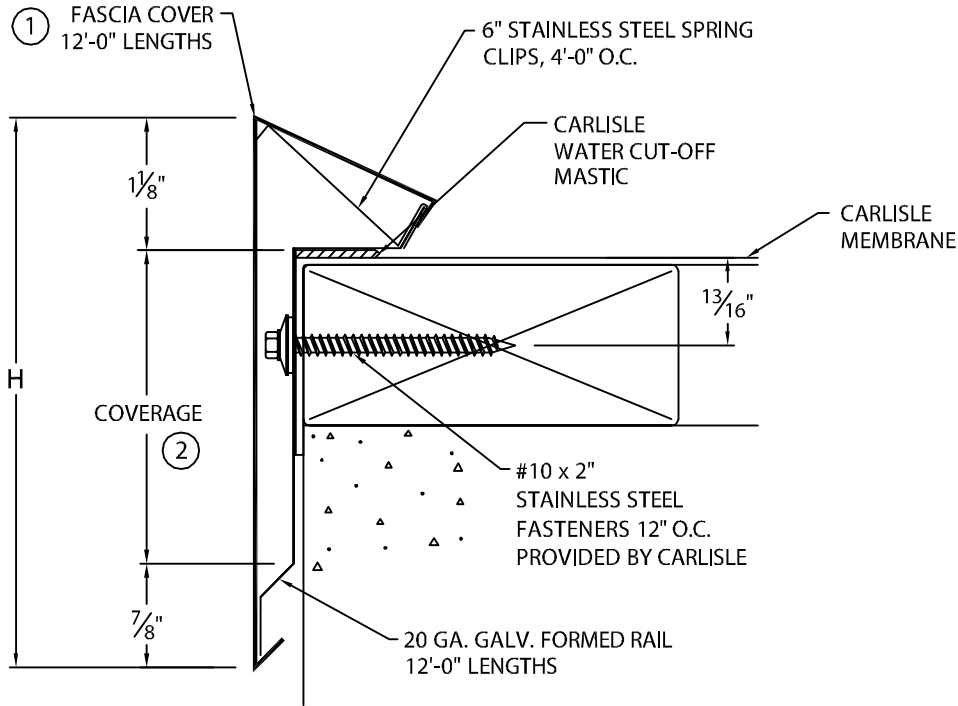
SECUREDGE ONE

FULLY ADHERED OR MECHANICALLY ATTACHED SINGLE-PLY VERSION

ANSI/SPRI ES-1 DESIGN PRESSURE OF 155 psf

.050" AND .063" COVER MATERIAL

U.S. Patent # 5,927,023



NOTES:

- ① FASCIA COVER PROVIDED WITH 3 1/2" WIDE SPLICE PLATES
- ② TYPICALLY COVERAGE SHOULD EXTEND A MIN. OF 1" BELOW WOOD BLOCKING IF APPLICABLE.

FASCIA DIMENSIONS

PRODUCT ID. NO.	H DIM	COVERAGE
<input type="checkbox"/> ESE-S40	4"	2"
<input type="checkbox"/> ESE-S50	5"	3"
<input type="checkbox"/> ESE-S65	6 1/2"	4 1/2"
<input type="checkbox"/> ESE-S80	8"	6"

Fabrication will proceed only after receipt of signed print approval.

Print Approval:

Architect and/or contractor shall verify all dimensions, sizes and quantities. All products to be installed in strict accordance with Carlisle's printed instructions.

Approved by: _____

Date: _____

MATERIAL:

___ .050" Aluminum
 ___ .063" Aluminum
 ___ Other _____

Color: _____

Finish: _____

QUANTITIES:

_____ Lineal Feet 12'-0" Lengths

_____ Outside Miter(s) @ 90° (Cover Only)

_____ Inside Miter(s) @ 90° (Cover Only)

For Non-90° Miters, See Print Approval #15010-1625

PROJECT:

ARCHITECT:

ROOFING CONTRACTOR:

REPRESENTATIVE/DISTRIBUTOR:

Customer Service
 866-458-3537
 (Metal-Era)



DATE: 03/21/17

DRN BY: JAB

CKD BY: SAK

SHT.# ___ OF ___

DWG# 15010-19942

E