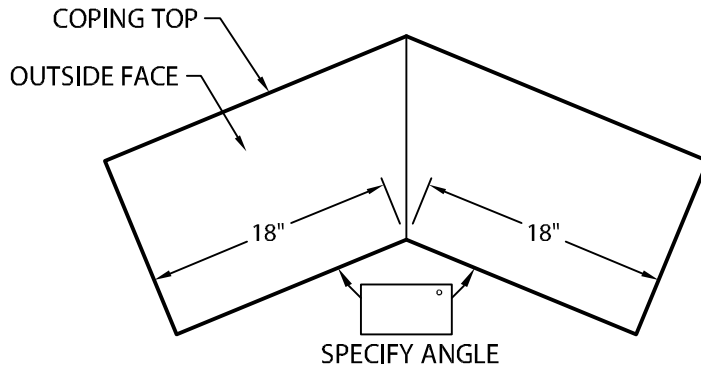


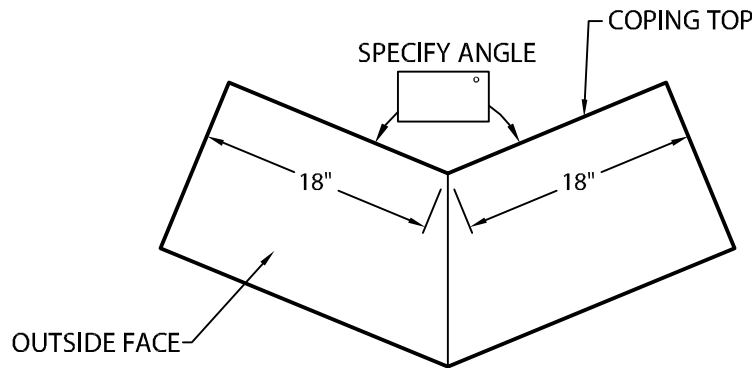
PEAK AND VALLEY COPING MITERS

PEAK MITER
FRONT VIEW SHOWN



WALL SIZE: _____
FOR CUSTOM LEG LENGTHS
MODIFY DRAWING ABOVE

VALLEY MITER
FRONT VIEW SHOWN



WALL SIZE: _____
FOR CUSTOM LEG LENGTHS
MODIFY DRAWING ABOVE

NOTES:

① WELDED ACCESSORIES REQUIRE A MINIMUM MATERIAL THICKNESS OF .050".

MATERIAL:

- ___ 24 GA. GALVANIZED STEEL
 - ___ 22 GA. GALVANIZED STEEL
 - ___ .040" ALUMINUM
 - ___ .050" ALUMINUM
 - ___ .063" ALUMINUM
 - ___ OTHER _____
- COLOR: _____
- FINISH: _____

QUANTITIES:

___ PEAK MITERS

___ VALLEY MITERS

SPECIFY ACCESSORY TYPE:

WELDED ①

QUICKLOCK

AUTHORIZED SIGNATURE:

APPROVED BY: _____

DATE: _____

PROJECT:

ARCHITECT:

ROOFING CONTRACTOR:

REPRESENTATIVE/DISTRIBUTOR:

51 LEXINGTON STREET; LEWISTON, ME 04240
CUSTOMER SERVICE: 800-223-8317 USA
800-445-1500 CANADA
TECHNICAL SERVICE: 800-445-1500 USA & CANADA
FAX: 207-784-0125
OTHER AREAS CALL: 207-784-0123



DATE: 02/28/14

DRN BY: JJC

CKD BY: SAK

SHT.# ____ OF ____

DWG# 16011-2465

C