

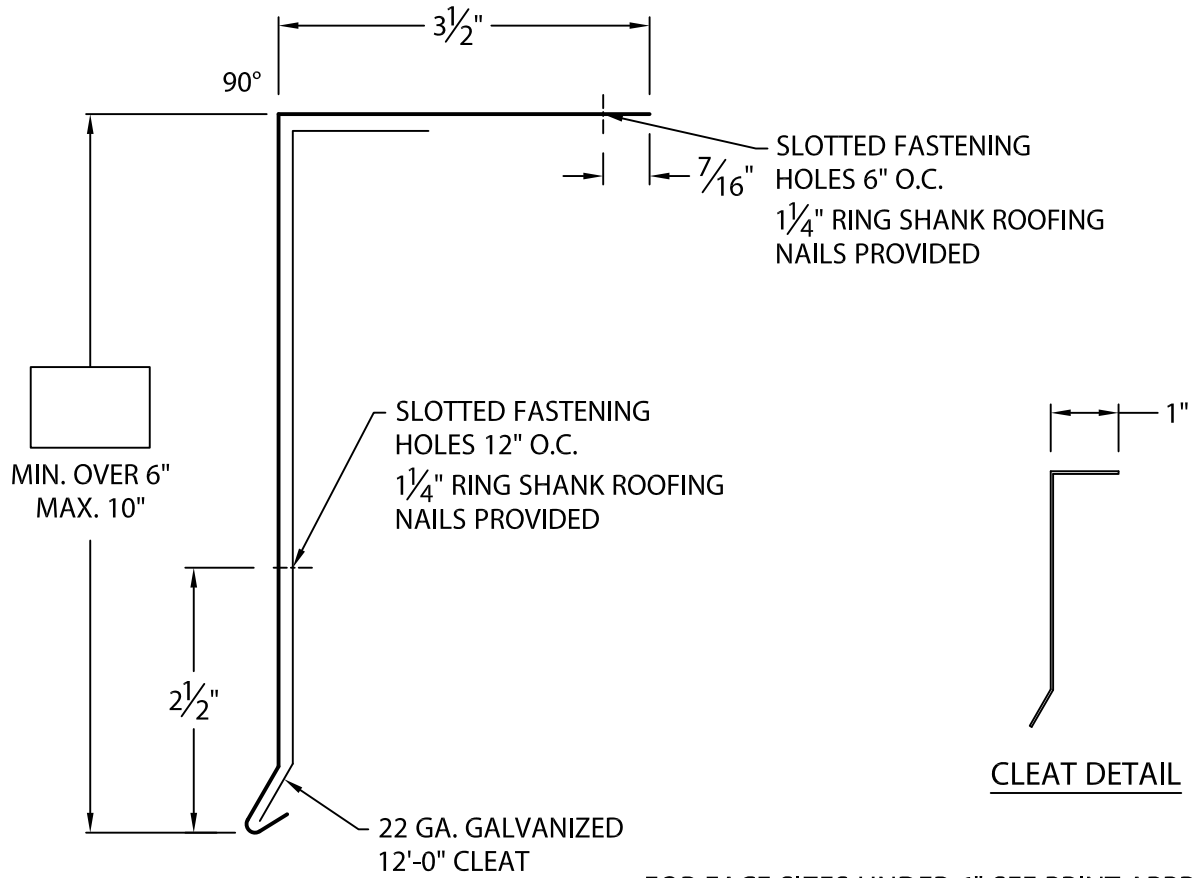


# UNA-Edge™ TPO COATED DRIP EDGE

OVER 6" TO 10" FACE HEIGHT WITH CONTINUOUS CLEAT

FLORIDA BUILDING CODE APPROVED

ANSI/SPRI/FM 44351 / ES-1 DESIGN PRESSURE OF 177 psf



FOR FACE SIZES UNDER 6" SEE PRINT APPROVAL #13010-19708

## MATERIAL:

24 GA. GALVANIZED STEEL FIRESTONE TPO COATED

## COLOR:

WHITE

## QUANTITIES:

\_\_\_\_\_ LINEAL FEET 10'-0" LENGTHS

\_\_\_\_\_ OUTSIDE MITERS @ 90°

\_\_\_\_\_ INSIDE MITERS @ 90°

FOR NON 90° MITERS SEE PRINT APPROVAL #13010-1043

## NOTES:

- NO LAP NOTCHES PROVIDED.
- NO SPLICE PLATES PROVIDED.

AUTHORIZED SIGNATURE:

APPROVED BY: \_\_\_\_\_

DATE: \_\_\_\_\_

RETURN THIS FORM TO YOUR FIRESTONE SALES REPRESENTATIVE. FIND THEM AT:

[HTTP://WWW.FIRESTONEBPC.COM/CONTRACTORS/SALESREPS/](http://www.firestonebpc.com/contractors/salesreps/)

PROJECT:

ARCHITECT:

ROOFING CONTRACTOR:

REPRESENTATIVE/DISTRIBUTOR:

**Firestone**  
Firestone Building Products

PHONE: 800-872-0203  
FAX: 800-770-3934

DATE: 05/05/18

DRN BY: JJC

CKD BY: SAK

SHT.# \_\_\_\_\_ OF \_\_\_\_\_

DWG# 13010-28685

**A**