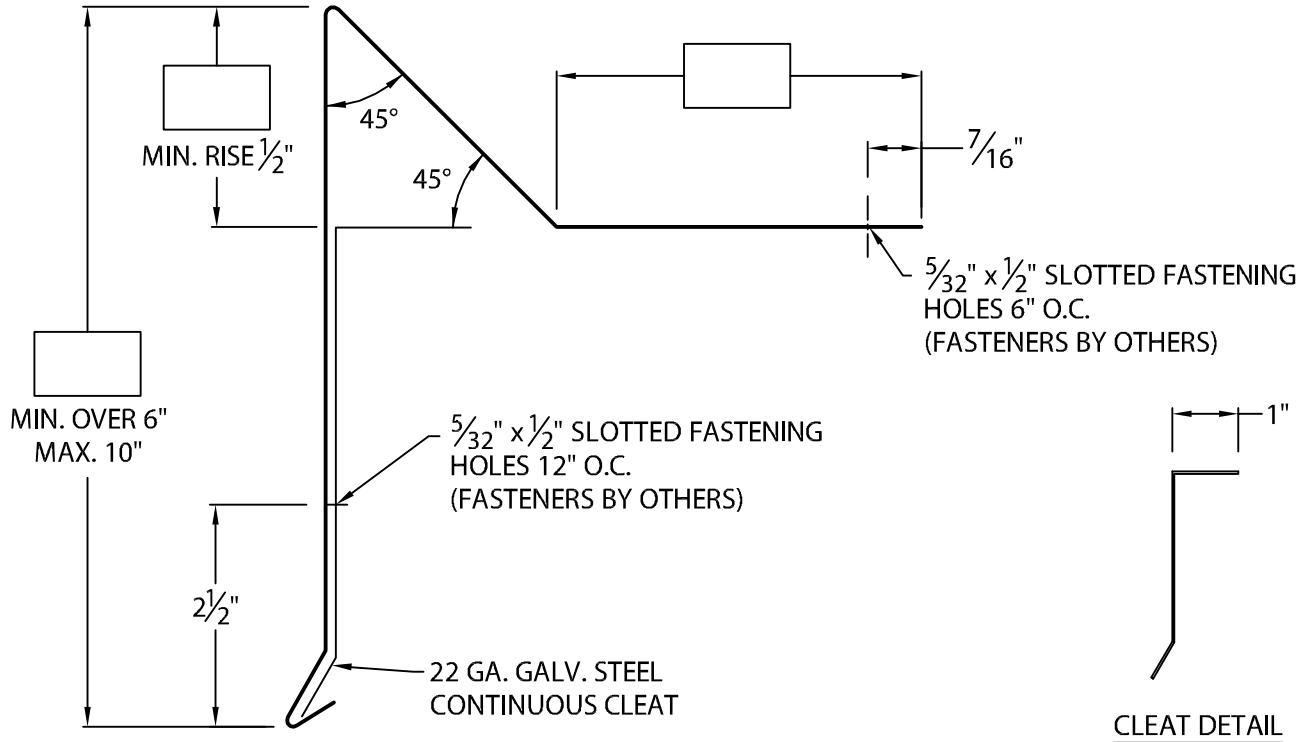




# ONE GRAVEL STOP

OVER 6" TO 10" FACE HEIGHT WITH CONTINUOUS CLEAT VERSION

ANSI/SPRI/FM 4435/ ES-1 DESIGN PRESSURE OF 258 psf



## NOTES:

- INCLUDES 6" WIDE CONCEALED SPLICE PLATES.
- CONCEALED SPLICE PLATES MUST BE FIELD CAULKED TO PREVENT WATER ENTRY.
- UNLESS OTHERWISE NOTES, FABRICATION OF MITERS AND ACCESSORIES ARE FURNISHED STANDARD UTILIZING A NON-PENETRATING QUICKLOCK JOINT, THEN FACTORY SEALED WATERTIGHT.

Fabrication will proceed only after receipt of signed print approval.

## Print Approval:

Architect and/or contractor shall verify all dimensions, sizes and quantities. All products to be installed in strict accordance with Metal-Era's printed instructions.

Approved by: \_\_\_\_\_

Date: \_\_\_\_\_

FOR FACE SIZES 6" OR LESS SEE PRINT APPROVAL #24010-18843

-- WELDED MITERS AND ACCESSORIES

CHECK ONE  REQUIRED (SURCHARGE)  NOT APPLICABLE

## MATERIAL:

- \_\_\_ 24 GA. GALVANIZED STEEL
- \_\_\_ .040" ALUMINUM COLOR: \_\_\_\_\_
- \_\_\_ .050" ALUMINUM FINISH: \_\_\_\_\_
- \_\_\_ .063" ALUMINUM
- \_\_\_ OTHER \_\_\_\_\_

## QUANTITIES:

- \_\_\_ LINEAL FEET 12'-0" LENGTHS
- \_\_\_ OUTSIDE MITERS @ 90°
- \_\_\_ INSIDE MITERS @ 90°

FOR NON 90° MITERS SEE PRINT APPROVAL #11010-1103

PROJECT:

ARCHITECT:

ROOFING CONTRACTOR:

REPRESENTATIVE/DISTRIBUTOR:

Corporate Offices, Manufacturing  
1600 Airport Road; Waukesha, WI 53188  
Phone: 800-558-2162  
Fax: 800-373-9156  
www.metalera.com



DATE: 09/29/16

DRN BY: JJC

CKD BY: SAK

SHT.# \_\_\_ OF \_\_\_

DWG# 11010-24737

B