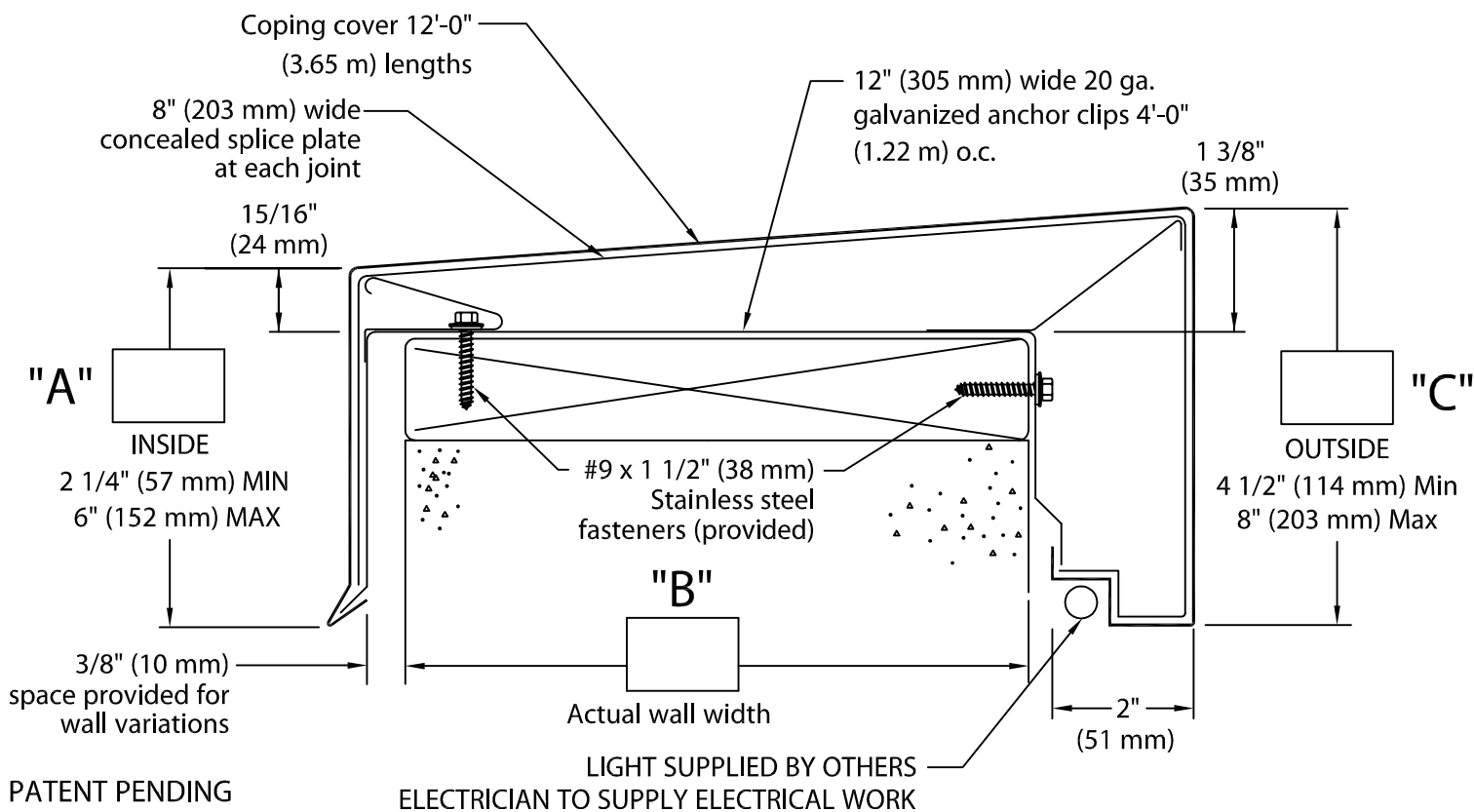


# DESIGNER ACCENT LIGHTED COPING



Coping is to be installed per Specifications and Metal-Era's Installation Instruction Dwg. #'s 11111-1256.

-- Concealed splice plates are provided with factory applied dual non-curing sealant strips.  
 -- Unless otherwise noted, fabrication of miters and accessories are furnished standard utilizing a non-penetrating quicklock joint, then factory sealed watertight.

Fabrication will proceed only after receipt of signed print approval.

## Print Approval:

Architect and/or contractor shall verify all dimensions, sizes and quantities. All products to be installed in strict accordance with Metal-Era's printed instructions.

Approved by: \_\_\_\_\_

Date: \_\_\_\_\_

-- Welded Miters and Accessories  
 Check one  Required (surcharge)  Not applicable

## MATERIAL:

\_\_\_ 24 Ga. (0.65 mm) Galv.  
 \_\_\_ .040" (1.01 mm) Alum. Color: \_\_\_\_\_  
 \_\_\_ .050" (1.27 mm) Alum.  
 \_\_\_ .063" (1.60 mm) Alum. Finish: \_\_\_\_\_  
 \_\_\_ OTHER \_\_\_\_\_

## QUANTITIES:

\_\_\_\_\_ Lineal Feet 12'-0" (3.65 m) Lengths  
 \_\_\_\_\_ Outside Miters @ (\_\_\_\_\_)°  
 \_\_\_\_\_ Inside Miters @ (\_\_\_\_\_)°  
 \_\_\_\_\_ Right End Caps  
 \_\_\_\_\_ Left End Caps

PROJECT:

ARCHITECT:

ROOFING CONTRACTOR:

REPRESENTATIVE/DISTRIBUTOR:

Corporate Offices, Manufacturing  
 1600 Airport Road; Waukesha, WI 53188  
 Phone: 800-558-2162  
 Fax: 800-373-9156  
 www.metalera.com



DATE: 03/18/09

DRN BY: JJC

CKD BY: SAK

SHT.# \_\_\_\_ OF \_\_\_\_

DWG# 11011-1255

C