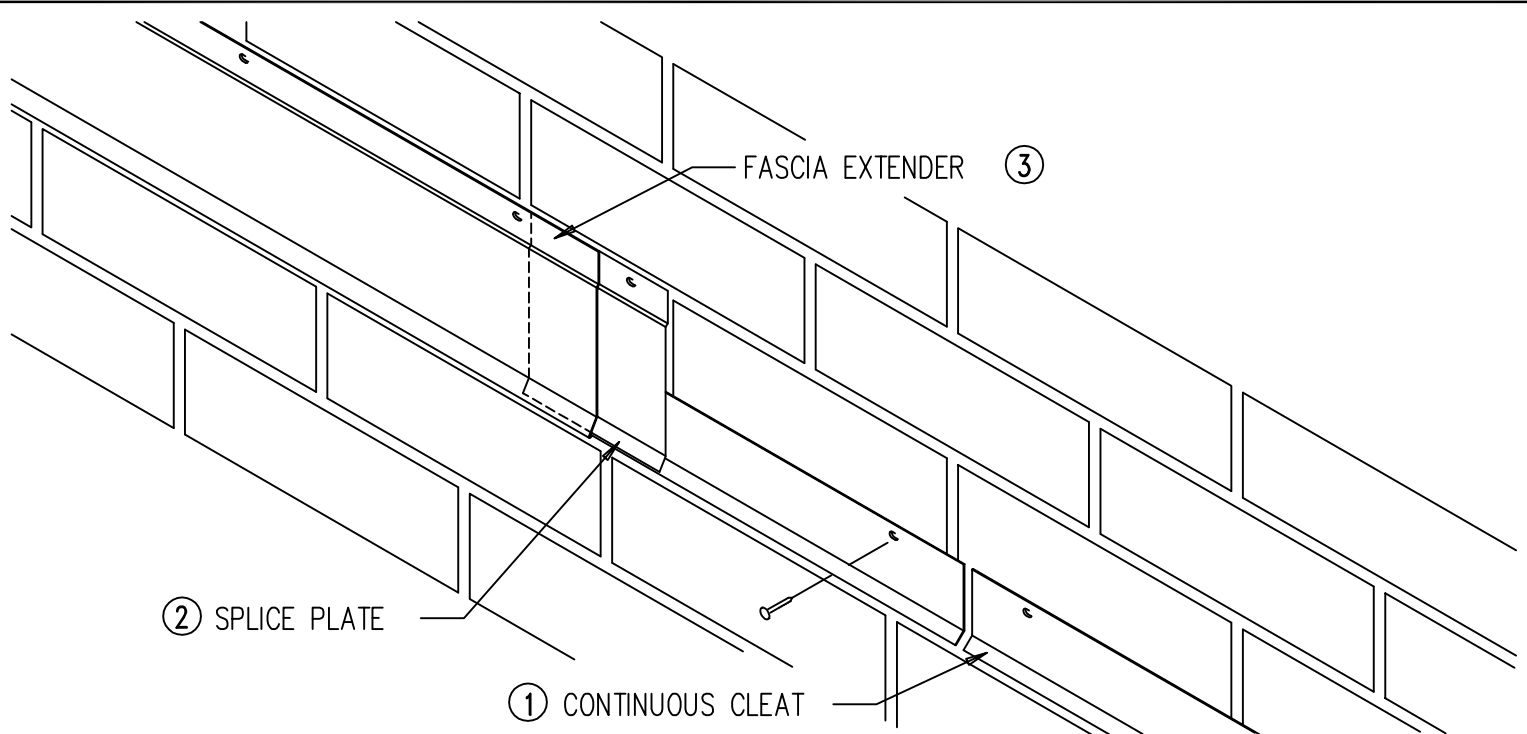


FASCIA EXTENDER WITH SPLICE PLATES

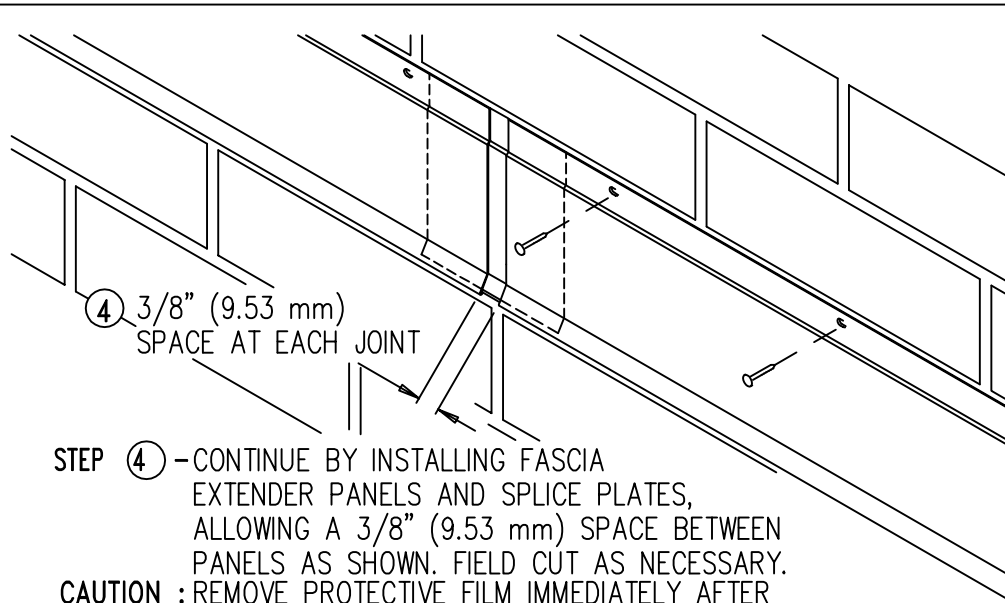
IMPORTANT : PRIOR TO INSTALLATION, READ INSTRUCTIONS CAREFULLY.

INSTALLATION INSTRUCTIONS

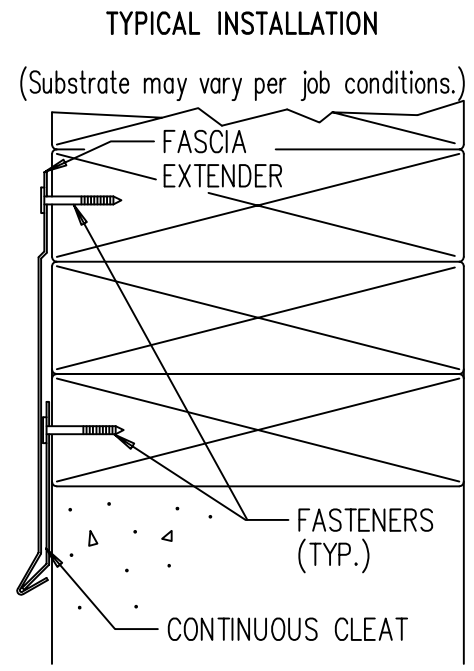
NOTE : INSTALL MITERS BEFORE FULL LENGTH EXTENDER SECTIONS.



- STEP ① - CAREFULLY POSITION AND FASTEN CONTINUOUS CLEAT 12" (304.8 mm) O.C. AS SHOWN WITH APPROPRIATE FASTENERS. CLEAT SHALL BE INSTALLED TRUE AND LEVEL.
- STEP ② - LOCATE AND FASTEN 3 1/2" (88.9 mm) WIDE SPLICE PLATES AT EACH JOINT.
- STEP ③ - HOOK DRIP EDGE OF EACH FASCIA EXTENDER ONTO CONTINUOUS CLEAT, AND FASTEN WITH APPROPRIATE FASTENERS AT 12" (304.8 mm) O.C.



- STEP ④ - CONTINUE BY INSTALLING FASCIA EXTENDER PANELS AND SPLICE PLATES, ALLOWING A 3/8" (9.53 mm) SPACE BETWEEN PANELS AS SHOWN. FIELD CUT AS NECESSARY.
- CAUTION : REMOVE PROTECTIVE FILM IMMEDIATELY AFTER INSTALLATION. INSTALLERS SHALL WEAR PROTECTIVE EYEWEAR TO PREVENT INJURY.



Sika Sarnafil Inc.
 (800) 451-2504
www.metalera.com/sikasarnafil

DATE: 06/01/02
 DRN BY: COB
 CKD BY: SAK

SHT.# ___ OF ___
 DWG# 14114-2851

A