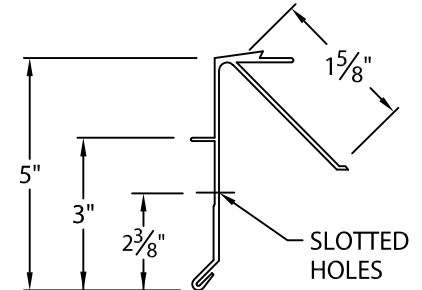
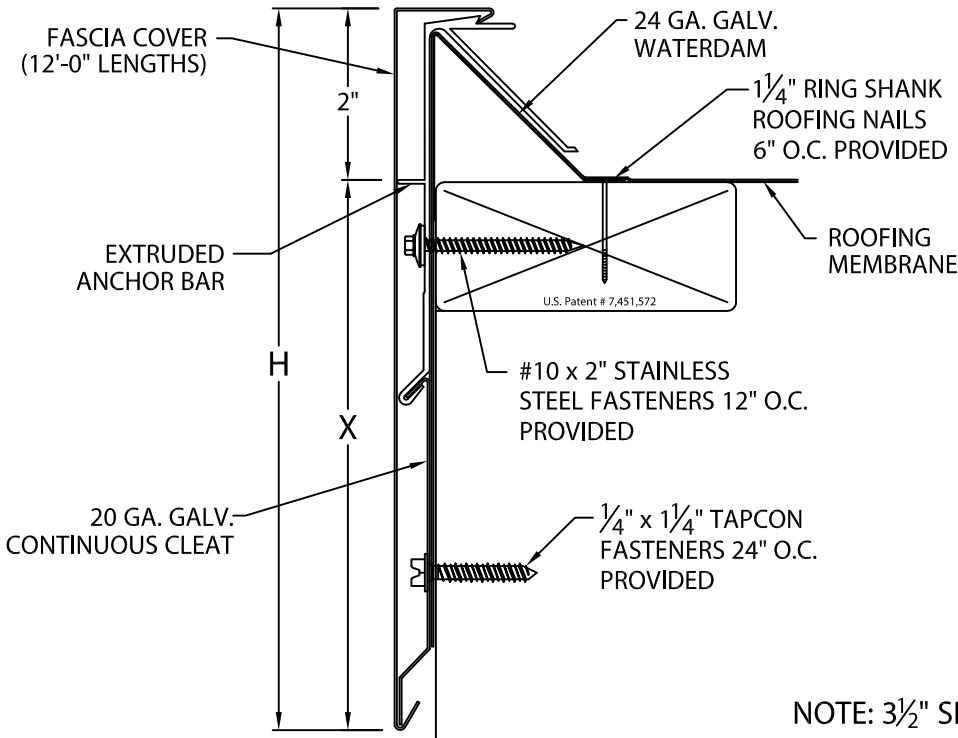




ANCHOR-TITE EXTENDED CANTED FASCIA

GALVANIZED WATERDAM VERSION

ANSI/SPRI ES-1 DESIGN PRESSURE OF 139 psf



EXTRUDED PROFILE

NOTE: 3 1/2" SPLICE PLATES PROVIDED AT ALL JOINTS

ANCHOR-TITE EXTENDED CANTED FASCIA DIMENSIONS

PRODUCT ID. NO.	H DIM	X DIM
<input type="checkbox"/> AEFC-902	9"	7"
<input type="checkbox"/> AEFC-1052	10 1/2"	8 1/2"
<input type="checkbox"/> AEFC-1202	12"	10"
<input type="checkbox"/> AEFC-1352	13 1/2"	11 1/2"

MATERIAL:

___ 22 GA. GALV. STEEL ___ .063" ALUMINUM

___ .050" ALUMINUM ___ OTHER _____

COLOR: _____ FINISH: _____

Fabrication will proceed only after receipt of signed print approval.

Print Approval:

Architect and/or contractor shall verify all dimensions, sizes and quantities. All products to be installed in strict accordance with Metal-Era's printed instructions.

Approved by: _____

Date: _____

QUANTITIES:

_____ LINEAL FEET 12'-0" LENGTHS

_____ OUTSIDE MITERS @ 90°

_____ INSIDE MITERS @ 90°

_____ OVERFLOW SCUPPER(S) STYLE ___A___B

_____ SPILLOUT SCUPPER(S) STYLE ___A___B

_____ DOWNSPOUT SCUPPER(S) STYLE ___A___B

(_____ X _____) SIZE A: TAPERED 1 1/2" DROP
B: FLAT

FOR NON-90 MITERS SEE PRINT APPROVAL #11010-1103

PROJECT:

ARCHITECT:

ROOFING CONTRACTOR:

REPRESENTATIVE/DISTRIBUTOR:

Corporate Offices, Manufacturing
1600 Airport Road; Waukesha, WI 53188
Phone: 800-558-2162
Fax: 800-373-9156
www.metalera.com



DATE: 08/09/18

DRN BY: JJC

CKD BY: SAK

SHT.# ___ OF ___

DWG# 11010-1176

M