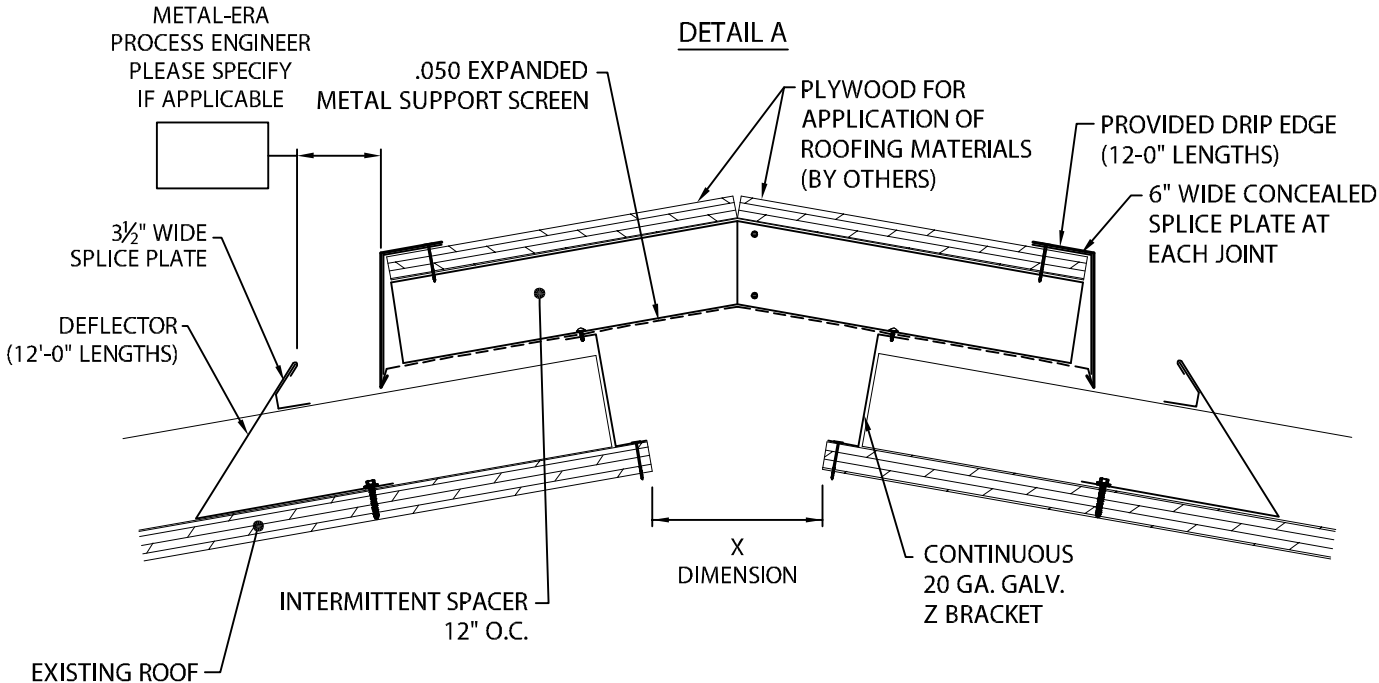


HI-PERF RIDGE VENT

SLOPE TO SLOPE, STANDING SEAM, FIELD ROOFED VERSION

INSTALLATION INSTRUCTIONS



METAL-ERA
PROCESS ENGINEER
PLEASE SPECIFY
IF APPLICABLE

DETAIL A

3½" WIDE
SPLICE PLATE

DEFLECTOR
(12'-0" LENGTHS)

.050 EXPANDED
METAL SUPPORT SCREEN

PLYWOOD FOR
APPLICATION OF
ROOFING MATERIALS
(BY OTHERS)

PROVIDED DRIP EDGE
(12'-0" LENGTHS)

6" WIDE CONCEALED
SPLICE PLATE AT
EACH JOINT

INTERMITTENT SPACER
12" O.C.

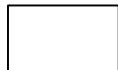
X
DIMENSION

CONTINUOUS
20 GA. GALV.
Z BRACKET

EXISTING ROOF

METAL-ERA
PROCESS ENGINEER
PLEASE SPECIFY

ALL FASTENERS
BY OTHERS

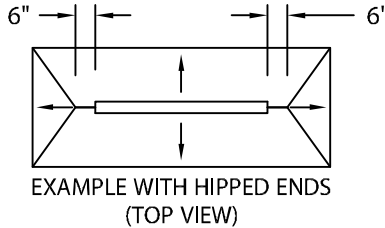
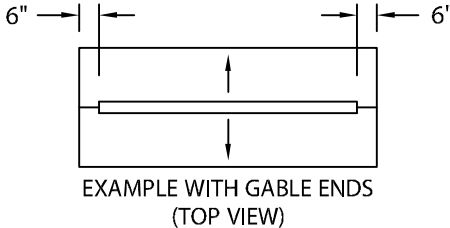


X DIMENSION

CAUTION! INSTALLERS SHALL WEAR PROTECTIVE EYE WEAR TO PREVENT INJURY. DO NOT OVERDRIVE FASTENERS, AS STRIPPING CAN OCCUR AT HIGH DRIVER TORQUE. RECOMMENDED DRIVING TOOL: 600 - 800 rpm ELECTRIC DRILL EQUIPPED WITH DEPTH-SENSING NOSE-PIECE TO PREVENT DRIVING AND STRIPOUT. DO NOT USE IMPACT TYPE TOOL.

IMPORTANT! BE SURE TO REMOVE PROTECTIVE PLASTIC FILM PRIOR TO INSTALLING EACH COVER SECTION.

NOTE: ALL FASTENERS MUST MEET MINIMUM 240 LB. PULL-OUT FOR SUBSTRATE.



1. PREPARE RIDGE

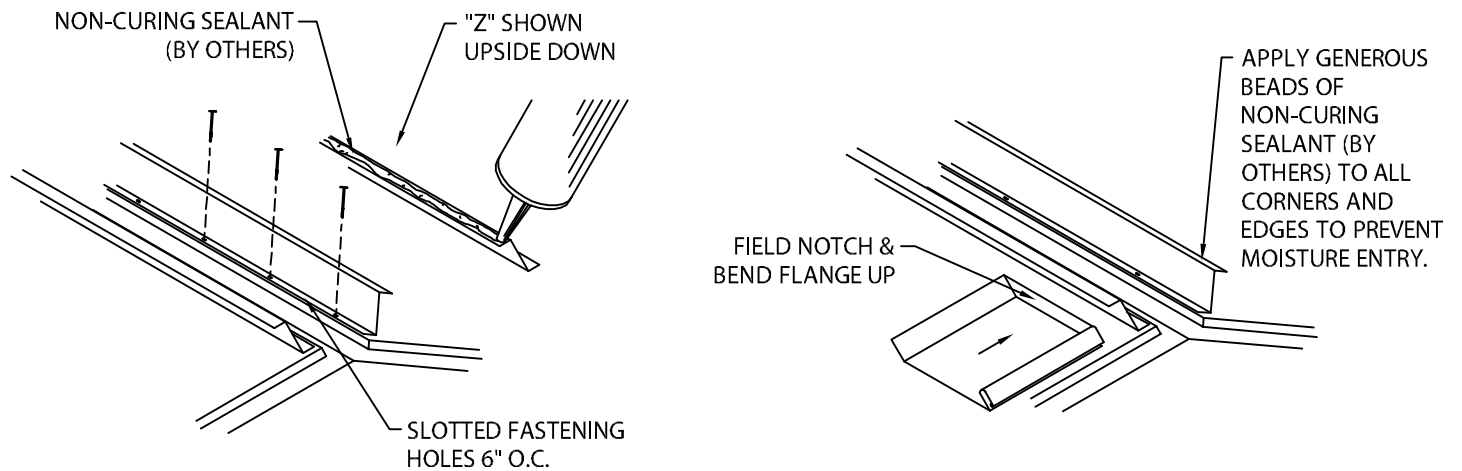
CUT OPENING AT RIDGE "X" DIMENSION. END THE OPENING 6" BEFORE GABLE OR HIPPED END.

| | | |
|----------------|------------------|--|
| | | Phone: 800-558-2162 Fax: 800-770-3934 www.metalera.com |
| DATE: 03/09/16 | SHT.# 1 OF 7 | |
| DRN BY: JJC | DWG# 31124-16858 | |
| CKD BY: SAK | | |

HI-PERF RIDGE VENT

SLOPE TO SLOPE, STANDING SEAM, FIELD ROOFED VERSION

INSTALLATION INSTRUCTIONS

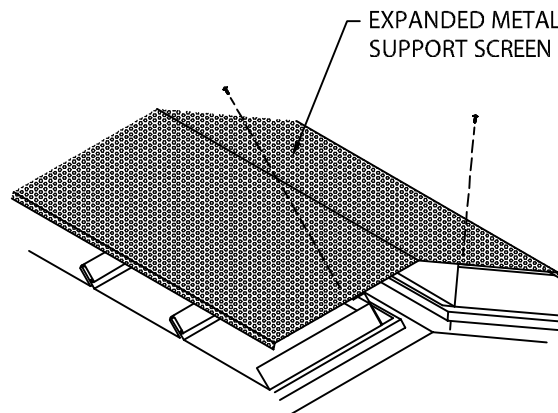


2. MOUNTING BRACKETS

TO PREVENT MOISTURE ENTRY UNDER THE "Z", APPLY A GENEROUS BEAD OF NON-CURING SEALANT (BY OTHERS) TO BOTTOM OF FLANGE. FASTEN BRACKETS AT ROOF AT 6" O.C. WITH APPROPRIATE FASTENERS USING PRE-PUNCHED SLOTTED HOLES. LAP "Z'S" 1".

3. STANDING SEAM ROOFING

FOLLOW MANUFACTURER'S RECOMMENDATIONS FOR TERMINATING STANDING SEAM AT RIDGE VENT CHANNEL. SEE ABOVE FOR TYPICAL DETAIL.



4. EXPANDED METAL SUPPORT SCREEN

PLACE ONE SCREEN CENTERED OVER BRACKETS. TEMPORARILY FASTEN TO "Z" BRACKETS AT BOTH ENDS OF 12'-0" SCREEN (FOUR FASTENERS TOTAL). LAP SCREENS 1".



Phone: 800-558-2162
Fax: 800-770-3934
www.metalera.com

DATE: 03/09/16

SHT.# 2 OF 7

DRN BY: JJC

CKD BY: SAK

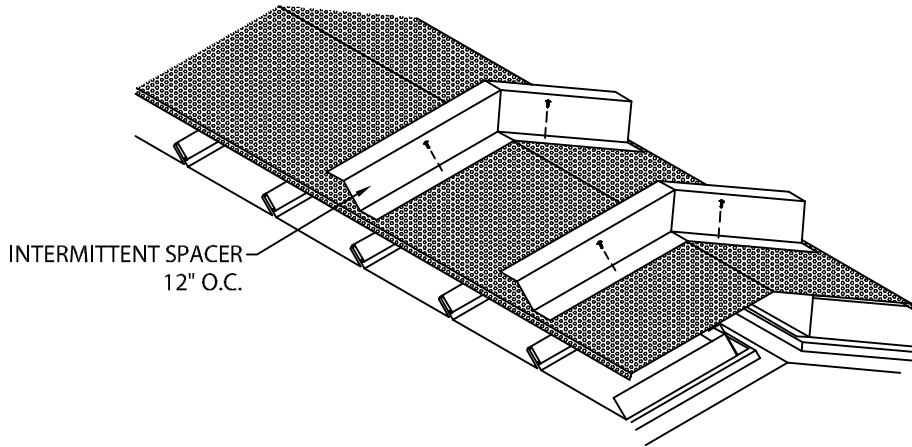
DWG# 31124-16858

B

HI-PERF RIDGE VENT

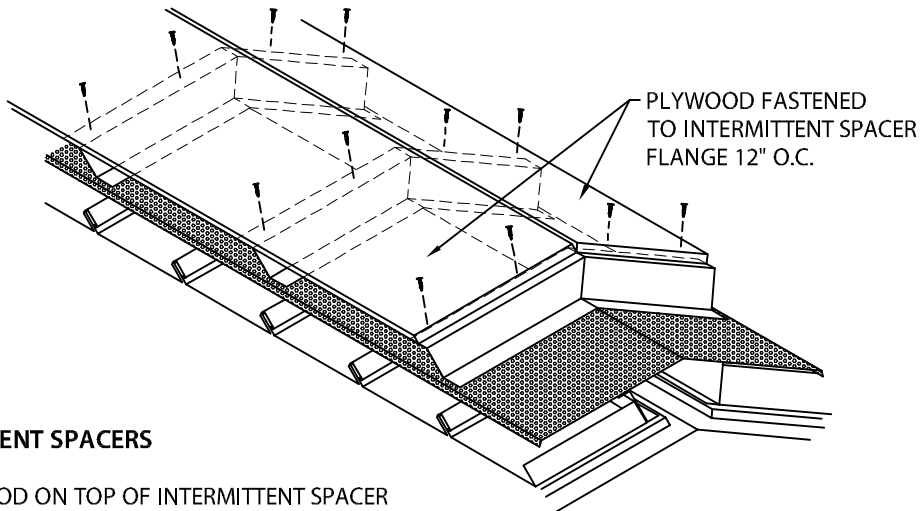
SLOPE TO SLOPE, STANDING SEAM, FIELD ROOFED VERSION

INSTALLATION INSTRUCTIONS



5. INTERMITTENT SPACERS

FASTEN INTERMITTENT SPACERS 12" O.C. AS SHOWN WITH APPROPRIATE FASTENERS (TWO FASTENERS PER SPACER).



6. INTERMITTENT SPACERS

PLACE PLYWOOD ON TOP OF INTERMITTENT SPACER AND FASTEN TO SPACER FLANGE 12" O.C. WITH APPROPRIATE FASTENERS.



Phone: 800-558-2162
Fax: 800-770-3934
www.metalera.com

DATE: 03/09/16

SHT.# 3 OF 7

DRN BY: JJC

CKD BY: SAK

DWG# 31124-16858

B

HI-PERF RIDGE VENT

SLOPE TO SLOPE, STANDING SEAM, FIELD ROOFED VERSION

INSTALLATION INSTRUCTIONS

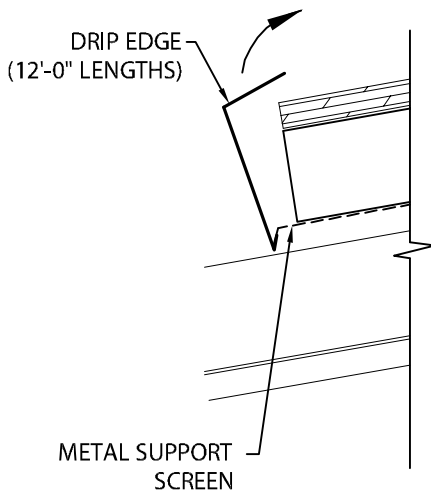


FIG. A

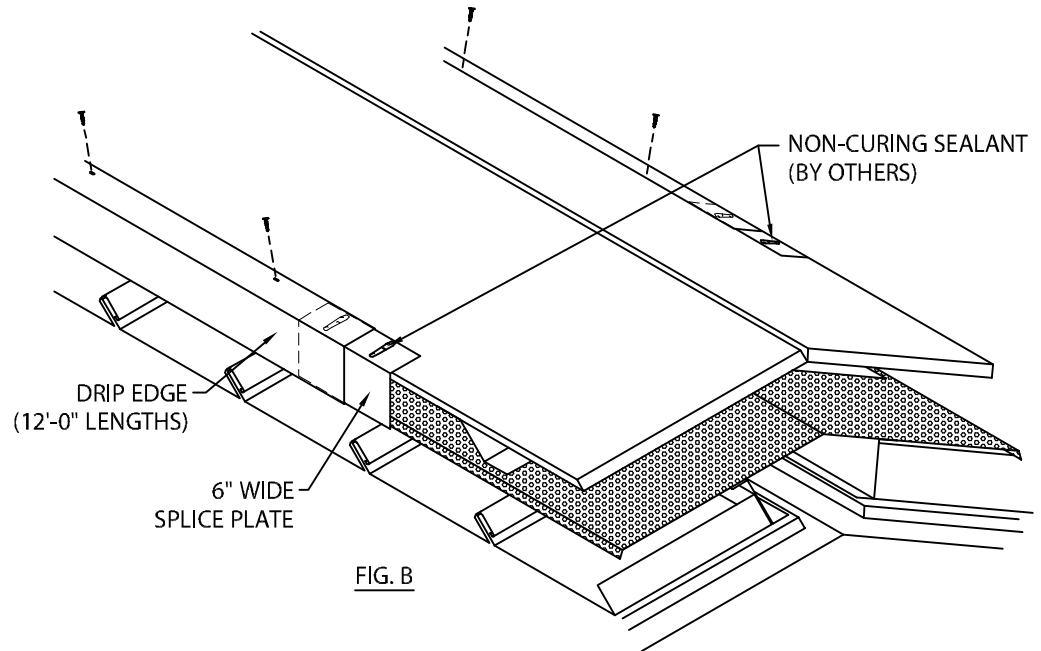
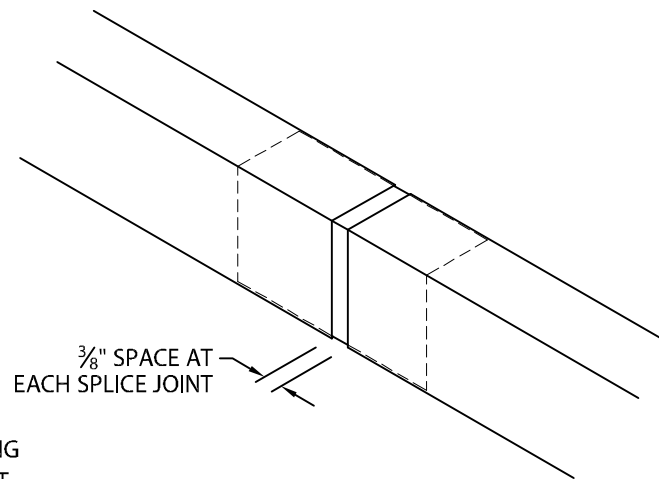


FIG. B

7. DRIP EDGE

HOOK DRIP EDGE SECTION ONTO EXPANDED METAL SUPPORT SCREEN AND ROTATE INTO PLACE (FIG. A). FASTEN THRU SLOTTED HOLES 12" (305 mm) O.C. WITH APPROPRIATE FASTENERS. LOCATE 6" (152 mm) WIDE SPLICE PLATES AT EACH JOINT. APPLY NON-CURING SEALANT (BY OTHERS) TO TOP OF SPLICE PLATE AS SHOWN (FIG B).



8. SPLICE PLATE

CONTINUE INSTALLING DRIP EDGE SECTIONS ALLOWING A $\frac{3}{8}$ " SPACE BETWEEN SECTIONS AS SHOWN. FIELD CUT AS NECESSARY.
NOTE: REMOVE PROTECTIVE FILM IMMEDIATELY.



Phone: 800-558-2162
Fax: 800-770-3934
www.metalera.com

DATE: 03/09/16

SHT.# 4 OF 7

DRN BY: JJC

CKD BY: SAK

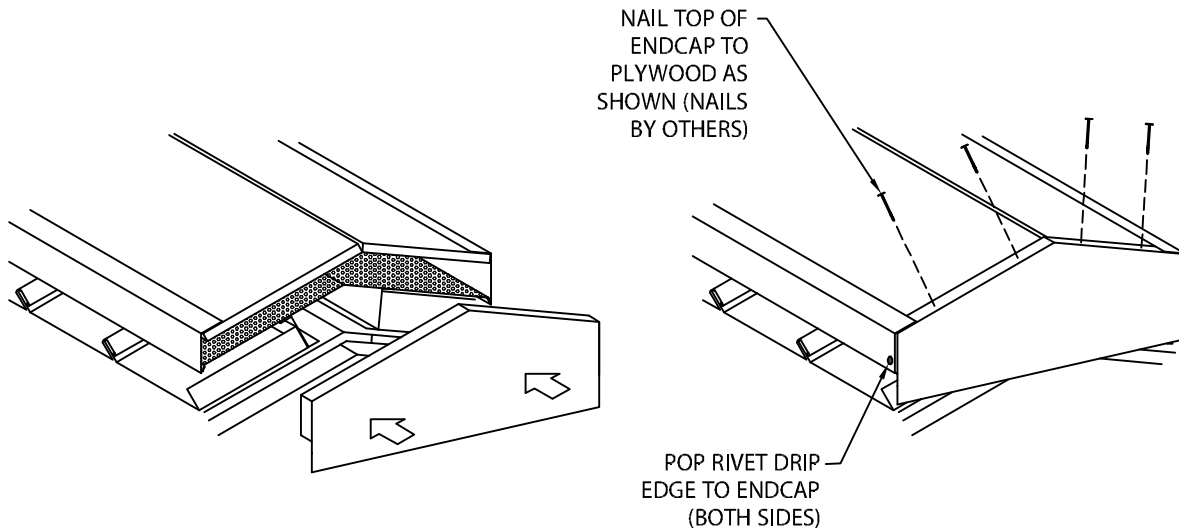
DWG# 31124-16858

B

HI-PERF RIDGE VENT

SLOPE TO SLOPE, STANDING SEAM, FIELD ROOFED VERSION

INSTALLATION INSTRUCTIONS



9. ENDCAPS

SLIDE ENDCAP BETWEEN PLYWOOD AND DRIP EDGE. REMOVE PROTECTIVE FILM IMMEDIATELY. POP RIVET BOTH SIDES OF DRIP EDGE TO ENDCAP. NAIL TOP FLANGE OF ENDCAP TO PLYWOOD AS SHOWN (ALL FASTENERS BY OTHERS). WHEN INSTALLING "B" STYLE ENDCAP, FOLLOW GENERAL RECOMMENDATIONS OF ROOF MEMBRANE MANUFACTURERS APPLICATION FOR STRIPPING IN THE ROOF FLANGE.



Phone: 800-558-2162
Fax: 800-770-3934
www.metalera.com

DATE: 03/09/16

SHT.# 5 OF 7

DRN BY: JJC

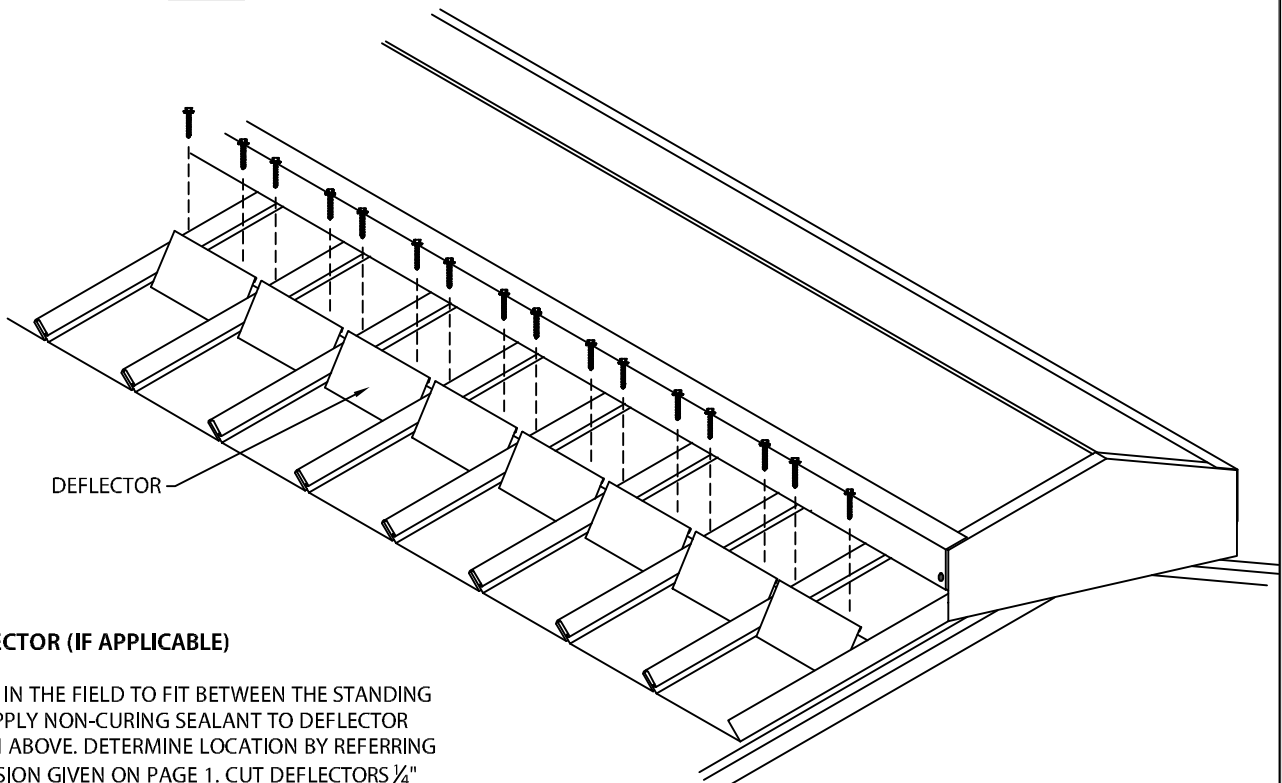
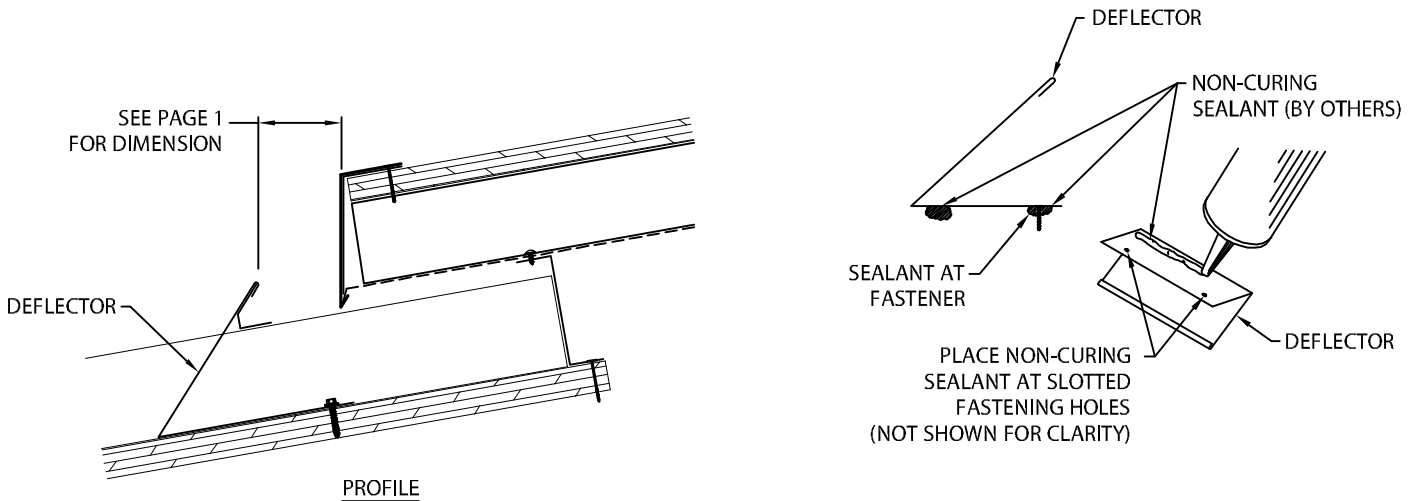
CKD BY: SAK

DWG# 31124-16858

B

HI-PERF RIDGE VENT

SLOPE TO SLOPE, STANDING SEAM, FIELD ROOFED VERSION



10. DEFLECTOR (IF APPLICABLE)

TO BE CUT IN THE FIELD TO FIT BETWEEN THE STANDING SEAMS. APPLY NON-CURING SEALANT TO DEFLECTOR AS SHOWN ABOVE. DETERMINE LOCATION BY REFERRING TO DIMENSION GIVEN ON PAGE 1. CUT DEFLECTORS $\frac{1}{4}$ " SHORTER THAN THE MEASURED DISTANCE BETWEEN STANDING SEAMS. CENTER BETWEEN SEAMS ALLOWING $\frac{1}{8}$ " GAP AT BOTH ENDS FOR RESIDUAL WATER DRAINAGE. FASTEN WITH TWO APPROPRIATE FASTENERS PER DEFLECTOR AS SHOWN.



Phone: 800-558-2162
 Fax: 800-770-3934
 www.metalera.com

DATE: 03/09/16

SHT.# 6 OF 7

DRN BY: JJC

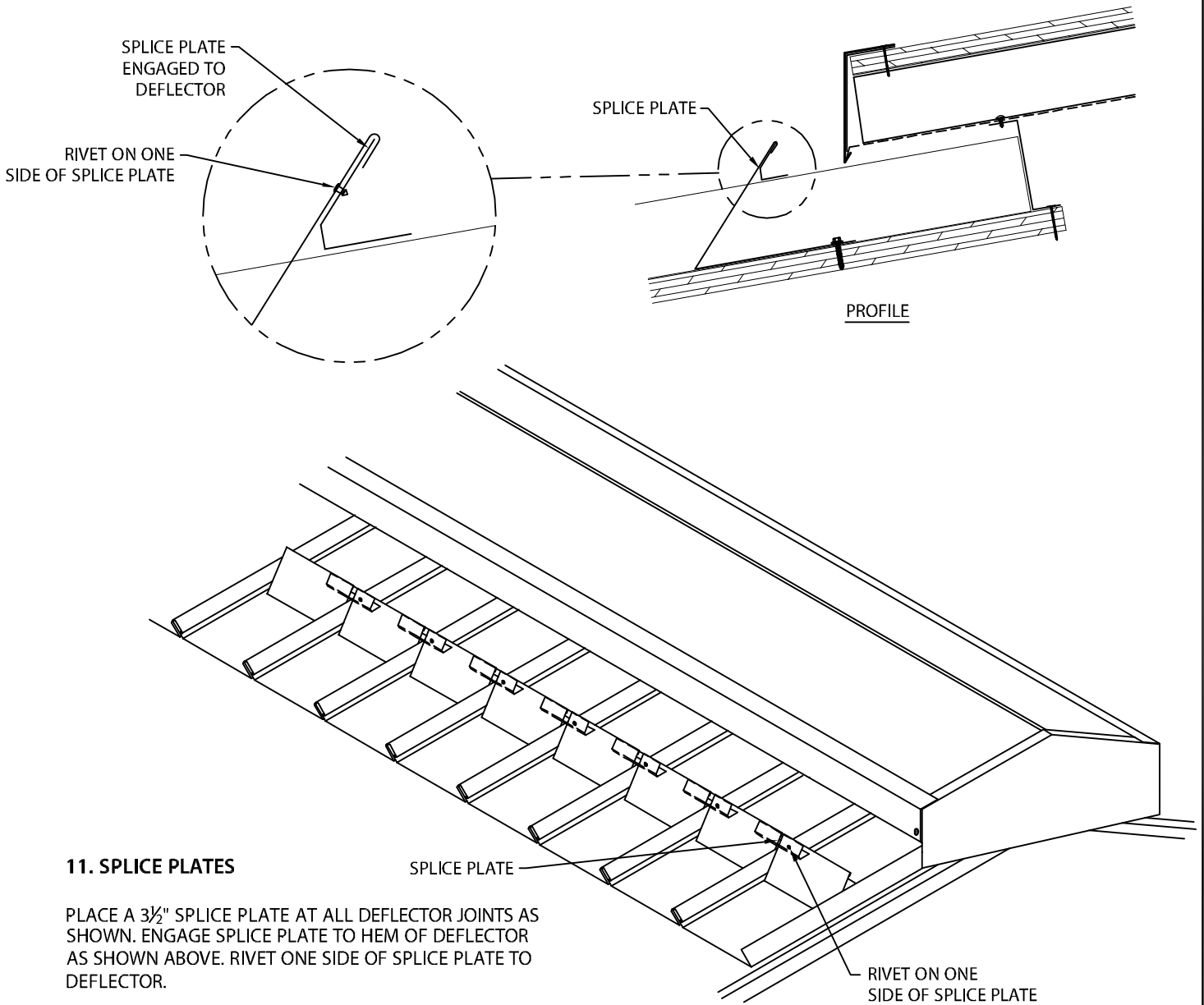
CKD BY: SAK

DWG# 31124-16858

B

HI-PERF RIDGE VENT

SLOPE TO SLOPE, STANDING SEAM, FIELD ROOFED VERSION



11. SPLICE PLATES

PLACE A 3½" SPLICE PLATE AT ALL DEFLECTOR JOINTS AS SHOWN. ENGAGE SPLICE PLATE TO HEM OF DEFLECTOR AS SHOWN ABOVE. RIVET ONE SIDE OF SPLICE PLATE TO DEFLECTOR.



Phone: 800-558-2162
Fax: 800-770-3934
www.metalera.com

DATE: 03/09/16

SHT.# 7 OF 7

DRN BY: JJC

CKD BY: SAK

DWG# 31124-16858

B