



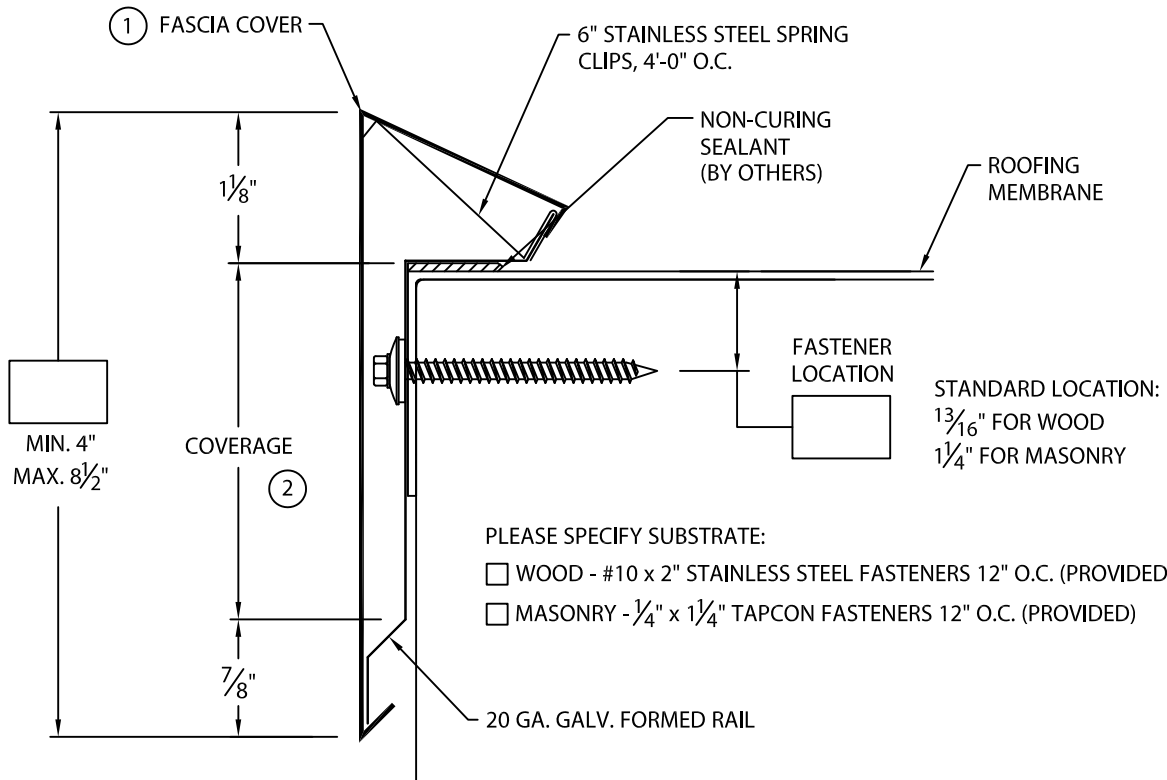
CUSTOM ONE EDGE

FULLY ADHERED OR MECHANICALLY ATTACHED SINGLE-PLY VERSION

CUSTOM FACE SIZE, FASTENER LOCATION AND COVER LENGTHS - 24 GA., 22 GA. AND .040" COVER MATERIAL

ANSI/SPRI ES-1 DESIGN PRESSURE OF 155 psf

U.S. Patent # 5,927,023



NOTES:

- ① FASCIA COVER PROVIDED WITH 1" LAP JOINT
- ② TYPICALLY COVERAGE SHOULD EXTEND A MIN. OF 1" BELOW WOOD BLOCKING IF APPLICABLE.

MATERIAL: ___ 24 Ga. Galvanized Steel
 ___ 22 Ga. Galvanized Steel
 ___ .040" Aluminum
 ___ Other _____

Color: _____

Finish: _____

QUANTITIES:

_____ Lineal Feet @ _____ Lengths

OR

_____ Pcs. @ _____ Lengths

_____ Outside Miters (Cover Only) @ 90°

_____ Inside Miters (Cover Only) @ 90°

For Non-90° Miters, See Print Approval #11010-1103

Fabrication will proceed only after receipt of signed print approval.

Print Approval:

Architect and/or contractor shall verify all dimensions, sizes and quantities. All products to be installed in strict accordance with Metal-Era's printed instructions.

Approved by: _____

Date: _____

PROJECT:

ARCHITECT:

ROOFING CONTRACTOR:

REPRESENTATIVE/DISTRIBUTOR:

Corporate Offices, Manufacturing
 1600 Airport Road; Waukesha, WI 53188
 Phone: 800-558-2162
 Fax: 800-373-9156
 www.metalera.com



DATE: 11/06/18

DRN BY: JJC

CKD BY: SAK

SHT.# ___ OF ___

DWG# 24310-19166

H