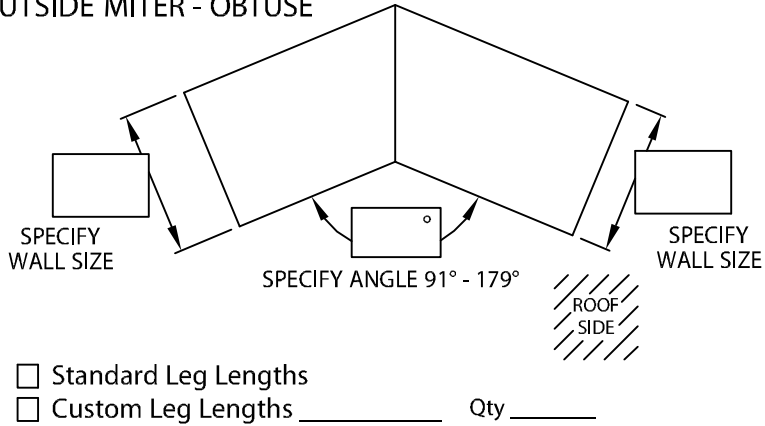
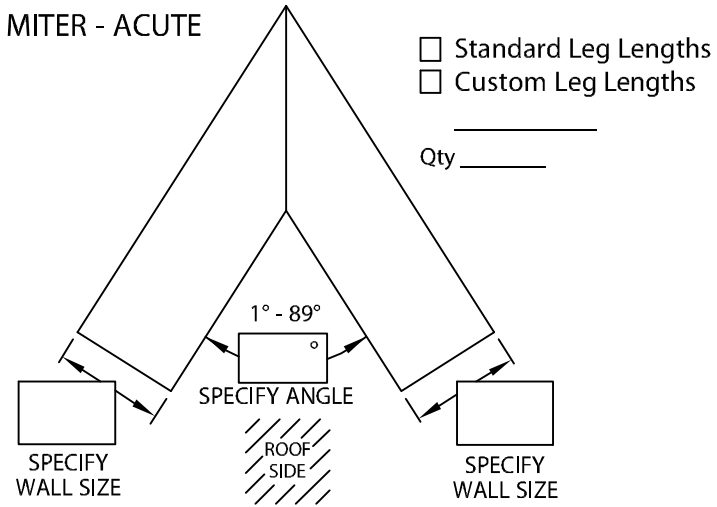


NON-90° COPING MITERS

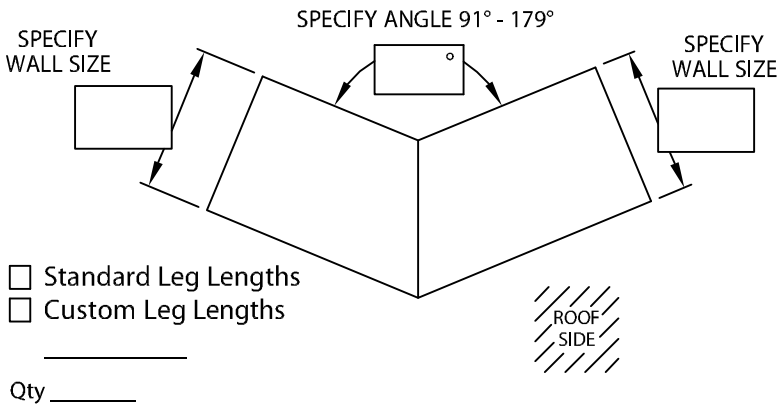
OUTSIDE MITER - OBTUSE



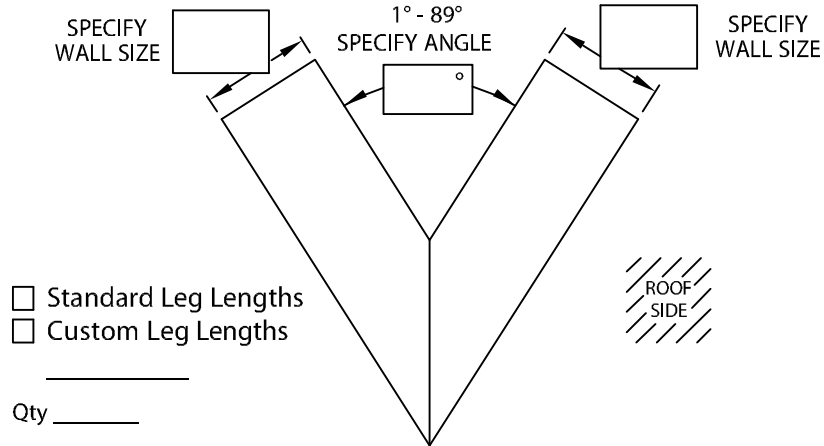
OUTSIDE MITER - ACUTE



INSIDE MITER - OBTUSE



INSIDE MITER ACUTE



MATERIAL:

___ 24 GA. (.65 mm) STEEL
 ___ .040" (1.01 mm) ALUMINUM
 ___ OTHER _____
 COLOR: _____
 FINISH: _____

CHECK ONE: FLAT EXISTING SLOPE

NOTES:

1. ALL FASTENERS SUPPLIED BY OTHERS (NO HOLES PROVIDED).
2. 6" WIDE SPLICE PLATES AT EACH JOINT SUPPLIED BY EDGE SYSTEMS ONE.
3. MITERS UTILIZE A NON-PENETRATING QUICKLOCK JOINT, THEN FACTORY SEALED WATERTIGHT.

CUSTOMER SERVICE:
800-558-2162

FAX:
800-373-9156

WEB SITE:
METALERA.COM

DATE: 02/29/16

DWN BY: JJC

SHEET: ___ OF ___

DWG: 24011-4746 | E

PRINT APPROVED BY:

DATE: _____ SIGNATURE: _____

A SIGNED PRINT APPROVAL SIGNIFIES A CONTRACTOR HAS VERIFIED ALL DIMENSIONS, SIZES, QUANTITIES AND MATERIAL TYPES.

FABRICATION CAN ONLY PROCEED UPON RECEIPT OF SIGNED PRINT APPROVAL.