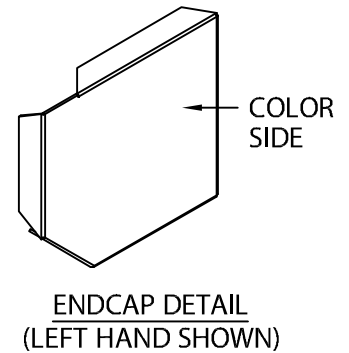
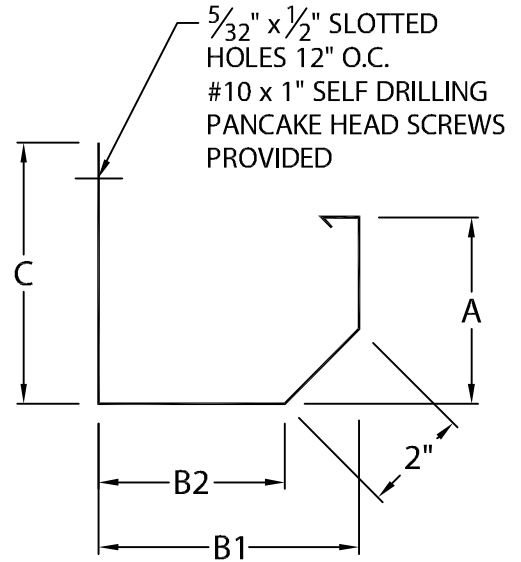
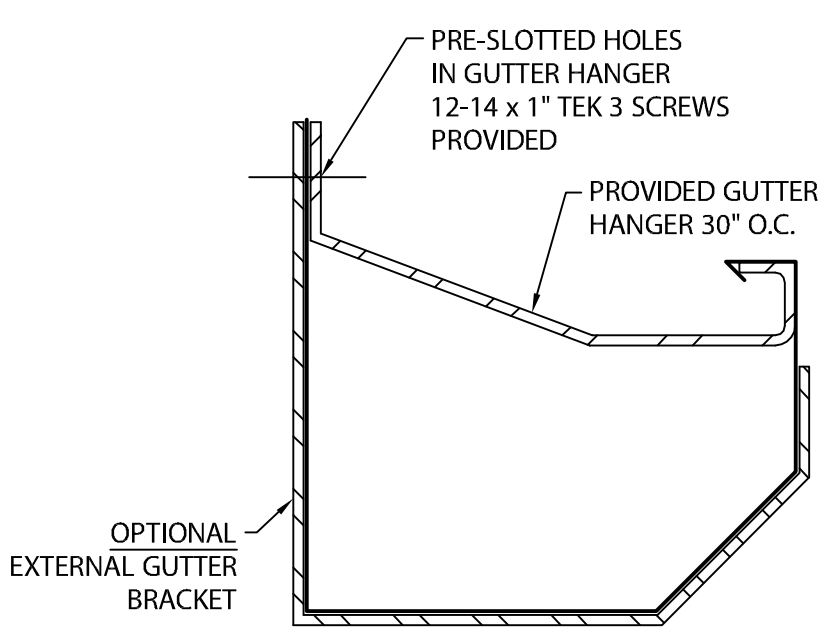


# SEAL-TITE INDUSTRIAL GUTTER WITH ELIMINAILER™ T

IG-2 VERSION



PRODUCT ID #	C	B1	B2	A	HANGER
<input type="checkbox"/> IG2-C6	6"	5"	3 9/16"	4 1/2"	1 1/4" X .100 Mill
<input type="checkbox"/> IG2-C7	7"	6"	4 9/16"	6"	1 1/4" X .100 Mill
<input type="checkbox"/> IG2-C8	8"	7"	5 9/16"	7"	2" X .100 Mill
<input type="checkbox"/> IG2-C9	9"	8"	6 9/16"	8"	2" X .100 Mill

**NOTES:**

- MAXIMUM DOWNSPOUT DIMENSION NOT TO EXCEED "B2" MINUS 9/16".
- 2" LAP JOINTS PROVIDED.
- 1/8" STAINLESS STEEL POP RIVETS PROVIDED.
- UNLESS OTHERWISE NOTED, FABRICATION OF MITERS ARE FURNISHED STANDARD UTILIZING A NON-PENETRATING QUICKLOCK JOINT, THEN FACTORY SEALED WATERTIGHT.
- WELDED ACCESSORIES REQUIRE A MINIMUM MATERIAL THICKNESS OF .050".

**MATERIAL:**

- \_\_\_ 24 GA. GALVANIZED STEEL
- \_\_\_ .040" ALUMIINUM COLOR: \_\_\_\_\_
- \_\_\_ .050" ALUMINUM FINISH: \_\_\_\_\_
- \_\_\_ .063" ALUMINUM
- \_\_\_ OTHER \_\_\_\_\_

Fabrication will proceed only after receipt of signed print approval.

**Print Approval:**

Architect and/or contractor shall verify all dimensions, sizes and quantities. All products to be installed in strict accordance with Metal-Era's printed instructions.

Approved by: \_\_\_\_\_

Date: \_\_\_\_\_

**QUANTITIES:**

- \_\_\_\_\_ LINEAL FEET 12'-0" LENGTHS
  - \_\_\_\_\_ OUTSIDE MITERS @ 90°
  - \_\_\_\_\_ INSIDE MITERS @ 90°
  - \_\_\_\_\_ RIGHT ENDCAPS
  - \_\_\_\_\_ LEFT ENDCAPS
  - \_\_\_\_\_ EXPANSION JOINTS STYLE "1"
  - \_\_\_\_\_ EXPANSION JOINTS STYLE "2"
- SPECIFY MITER TYPE:  
 WELDED  
 QUICKLOCK

FOR EXTERNAL GUTTER BRACKETS SEE PRINT APPROVAL #11012-1507  
 FOR NON-90 MITERS SEE PRINT APPROVAL #11012-10010

PROJECT: \_\_\_\_\_

ARCHITECT: \_\_\_\_\_

ROOFING CONTRACTOR: \_\_\_\_\_

REPRESENTATIVE/DISTRIBUTOR: \_\_\_\_\_

Corporate Offices, Manufacturing  
 1600 Airport Road; Waukesha, WI 53188  
 Phone: 800-558-2162  
 Fax: 800-373-9156  
 www.metalera.com



DATE: 11/09/17 SHT.# \_\_\_\_\_ OF \_\_\_\_\_

DRN BY: JJC

CKD BY: SAK DWG# 11012-27506 **A**