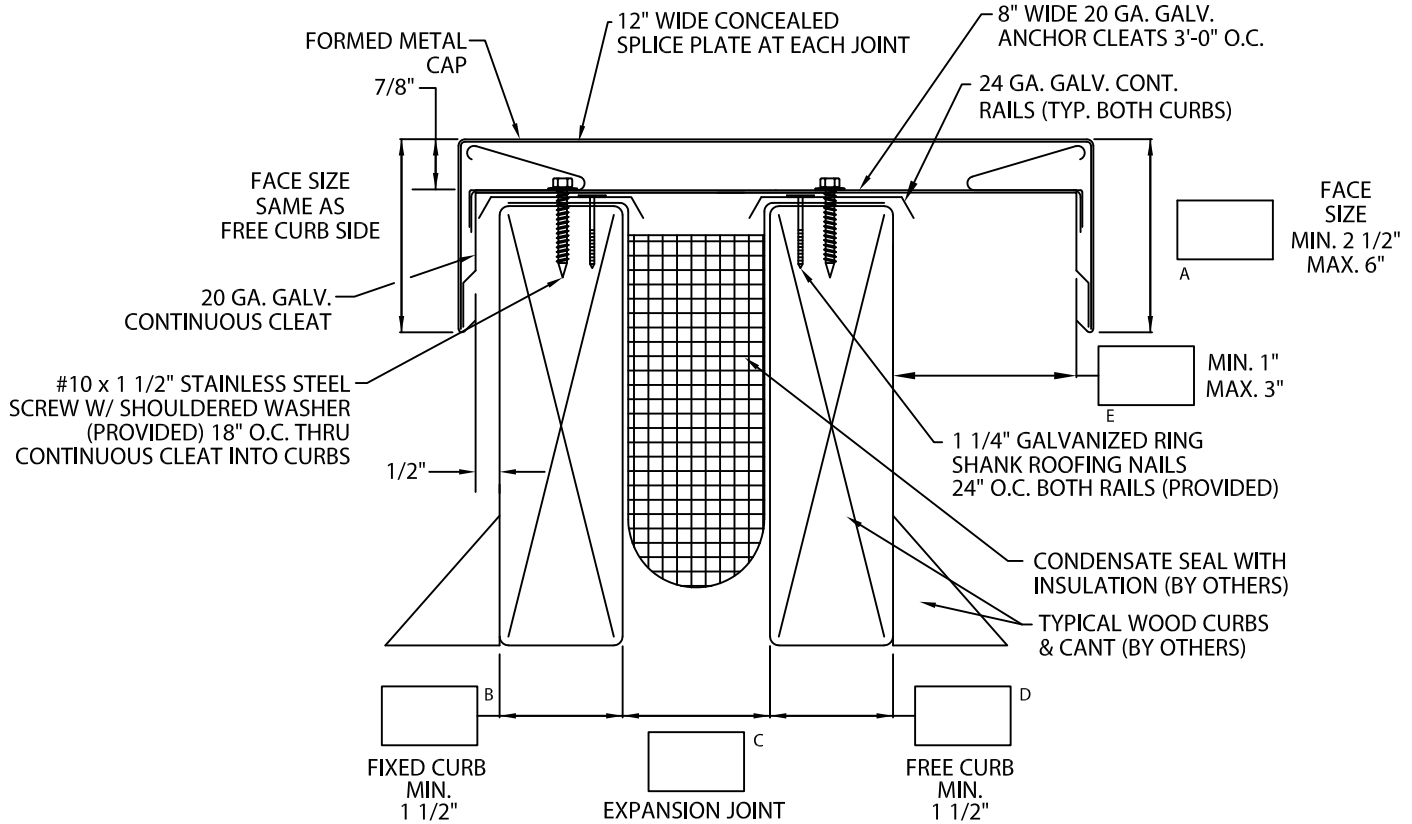


PERMA-TITE EXPANSION JOINT

ROOF TO ROOF VERSION



-- CONCEALED SPLICE PLATES ARE PROVIDED WITH FACTORY APPLIED DUAL NON-CURING SEALANT STRIPS.

-- UNLESS OTHERWISE NOTED, FABRICATION OF MITERS AND ACCESSORIES ARE FURNISHED STANDARD UTILIZING A NON-PENETRATING QUICKLOCK JOINT, THEN FACTORY SEALED WATERTIGHT.

Fabrication will proceed only after receipt of signed print approval.

Print Approval:

Architect and/or contractor shall verify all dimensions, sizes and quantities. All products to be installed in strict accordance with Metal-Era's printed instructions.

Approved by: _____

Date: _____

-- WELDED MITERS AND ACCESSORIES

CHECK ONE REQUIRED (SURCHARGE) NOT APPLICABLE

MATERIAL:

___ 24 GA. GALV. STEEL ___ .050" ALUMINUM
 ___ .040" ALUMINIUM ___ .063" ALUMINUM
 ___ OTHER _____

COLOR: _____ FINISH: _____

QUANTITIES:

_____ LINEAL FEET 12'-0" LENGTHS
 _____ OUTSIDE MITER(S) @ (_____)°
 _____ INSIDE MITER(S) @ (_____)°
 _____ ENDCAP INSERT(S)
 _____ ENDWALL FLASHING(S)*

* .040" MILL PAINTED/WELDED ONLY

PROJECT:

ARCHITECT:

ROOFING CONTRACTOR:

REPRESENTATIVE/DISTRIBUTOR:

Corporate Offices, Manufacturing
 1600 Airport Road; Waukesha, WI 53188
 Phone: 800-558-2162
 Fax: 800-373-9156
 www.metalera.com



DATE: 09/21/18

DRN BY: JJC

CKD BY: SAK

SHT.# _____ OF _____

DWG# 11028-7907