

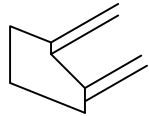
REFERENCE DETAIL:

HI-PERF RIDGE VENT

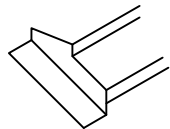
SLOPED ROOF MEETS HIGH WALL

U.S. PATENT # 7,823,343 B1

ENDCAPS

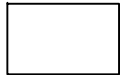


STYLE A
(LEFT HAND ENDCAP SHOWN)



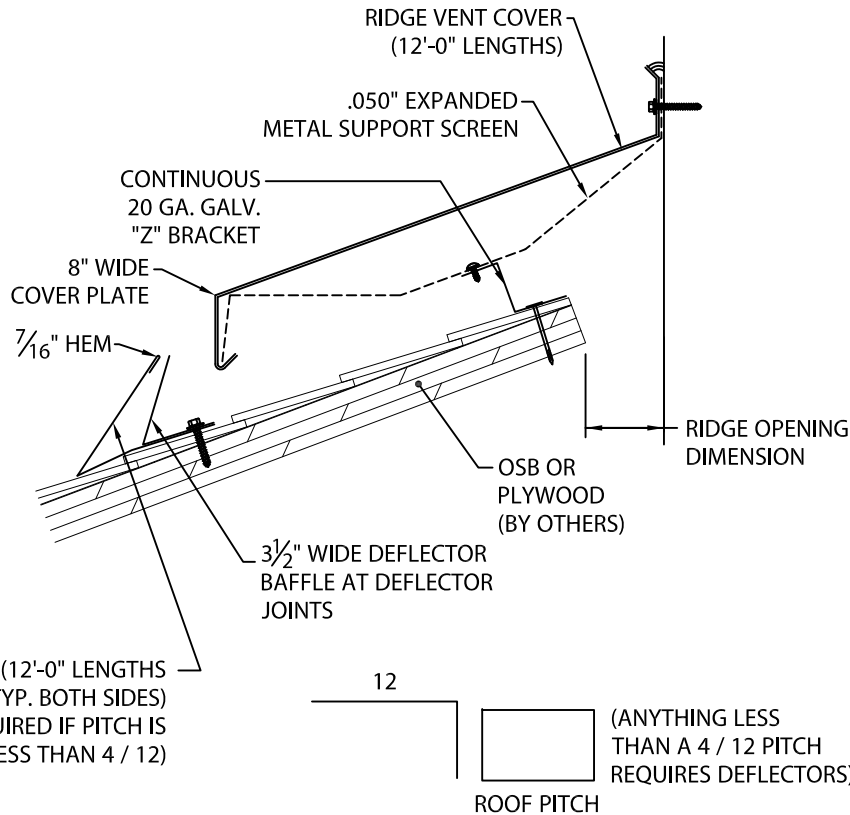
STYLE B
(HIGH WALL OR ROOF PENETRATION SUCH AS AT A DORMER OR CHIMNEY. LEFT HAND ENDCAP SHOWN)

SHINGLED ROOF SHOWN IF STANDING SEAM CONDITION, PLEASE SUPPLY HEIGHT OF STANDING SEAM



DEFLECTOR (12'-0" LENGTHS TYP. BOTH SIDES) (ONLY REQUIRED IF PITCH IS LESS THAN 4 / 12)

ALL FASTENERS AND SEALANT BY OTHERS



THE RIDGE OPENING MAY BE PROVIDED BY ONE OF TWO METHODS:

1. THE ACTUAL KNOWN

RIDGE OPENING

OR

NFA

OR

2. FIELD OR PLAN CONDITION MEASUREMENTS:

ACTUAL LINEAL FOOTAGE OF RIDGE

ACTUAL LINEAL FOOTAGE OF EAVE

VENTILATION TYPE:

VENTED NAILBASE

_____ AIR SPACE DIMENSION OF VENTED NAILBASE

OR

ATTIC

_____ ATTIC FLOOR SQUARE FOOTAGE

_____ RIDGE BEAM WIDTH IF APPLICABLE

Fabrication will proceed only after receipt of signed print approval.

Print Approval:

Architect and/or contractor shall verify all dimensions, sizes and quantities. All products to be installed in strict accordance with Metal-Era's printed instructions.

Approved by: _____

Date: _____

COVER MATERIAL:

24 GA. GALV. STEEL

.040" ALUMINUM

.050" ALUMINUM

.063" ALUMINUM

OTHER _____

COLOR: _____

FINISH: _____

QUANTITIES:

_____ LINEAL FEET (12'-0" LENGTHS)

_____ RIGHT ENDCAP(S) (12" LENGTHS, COVER ONLY)

____ STYLE A ____ STYLE B

_____ LEFT ENDCAP(S) (12" LENGTHS, COVER ONLY)

____ STYLE A ____ STYLE B

PROJECT:

ARCHITECT:

CONTRACTOR:

REPRESENTATIVE:



Phone: 800-558-2162
Fax: 800-770-3934
www.metalera.com

DATE: 07/26/17

SHT.# ____ OF ____

DRN BY: JAB

CKD BY: SAK

DWG# 31024-6019

L