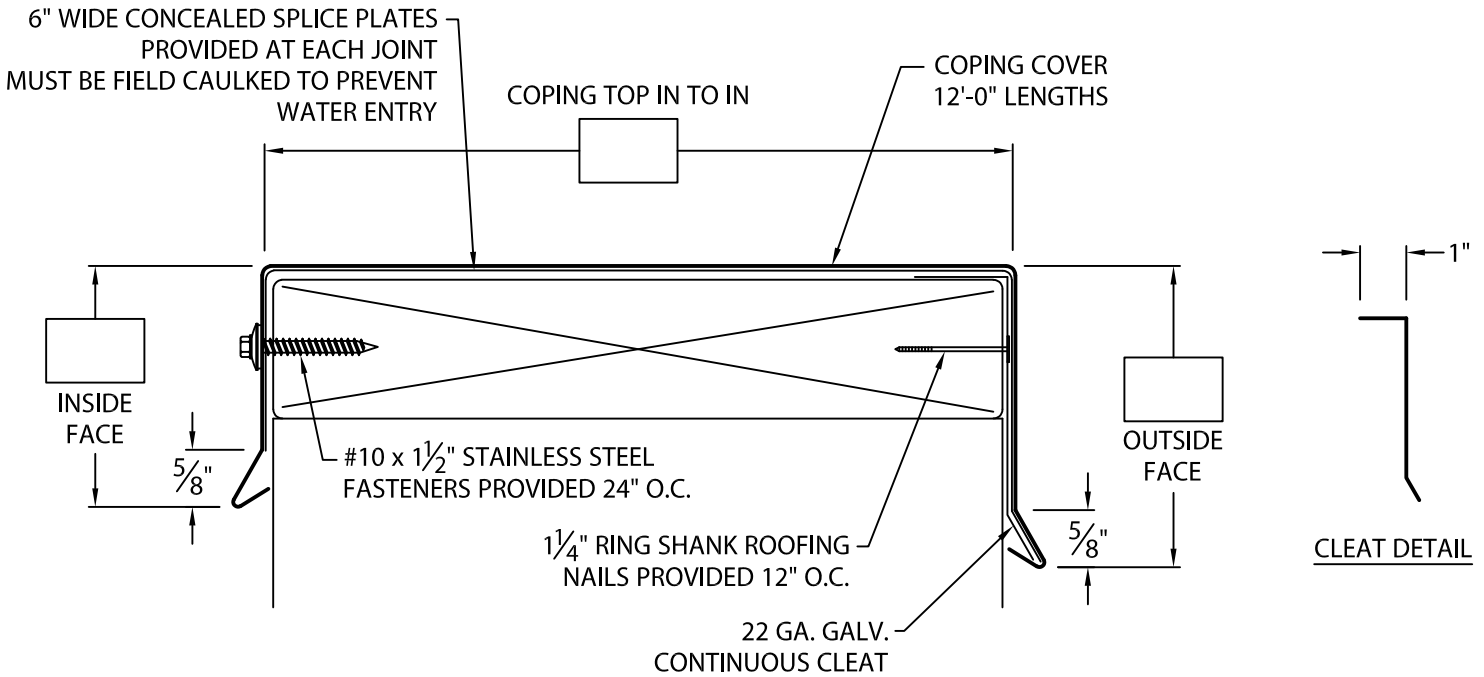


UNA-Edge™ COPING

FLAT VERSION

ANSI/SPRI/FM 4435/ ES-1 DESIGN PRESSURE OF 160 psf



① WELDED ACCESSORIES REQUIRE A MIN. MATERIAL THICKNESS OF .050"

NOTES:

- INCLUDES 6" WIDE CONCEALED SPLICE PLATES.
- CONCEALED SPLICE PLATES MUST BE FIELD CAULKED TO PREVENT WATER ENTRY.
- UNLESS OTHERWISE NOTES, FABRICATION OF MITERS AND ACCESSORIES ARE FURNISHED STANDARD UTILIZING A NON-PENETRATING QUICKLOCK JOINT, THEN FACTORY SEALED WATERTIGHT.

AUTHORIZED SIGNATURE:
 APPROVED BY: _____
 DATE: _____

RETURN THIS FORM TO YOUR FIRESTONE SALES REPRESENTATIVE. FIND THEM AT:
[HTTP://WWW.FIRESTONEBPC.COM/CONTRACTORS/SALESREPS/](http://www.firestonebpc.com/contractors/salesreps/)

MATERIAL:

- ___ 24 GA. GALVANIZED STEEL
 - ___ 22 GA. GALVANIZED STEEL
 - ___ .040" ALUMINUM
 - ___ .050" ALUMINUM
 - ___ .063" ALUMINUM
 - ___ OTHER _____
- COLOR: _____
 FINISH: _____

QUANTITIES:

- ___ LINEAL FEET 12'-0" LENGTHS
 - ___ OUTSIDE MITERS @ 90°
 - ___ INSIDE MITERS @ 90°
 - ___ RIGHT ENDCAPS
 - ___ LEFT ENDCAPS
- SPECIFY ACCESSORY TYPE:
 WELDED ①
 QUICKLOCK
- FOR NON-90 MITERS SEE PRINT APPROVAL #13011-1270

PROJECT:

ARCHITECT:

ROOFING CONTRACTOR:

REPRESENTATIVE/DISTRIBUTOR:



EDGE GARD SYSTEMS
 PHONE: 800-872-0203
 FAX: 800-770-3934

DATE: 05/05/18

DRN BY: JJC

CKD BY: SAK

SHT.# ___ OF ___

DWG# 13011-26161

C