

Seal-Tite

Gutters

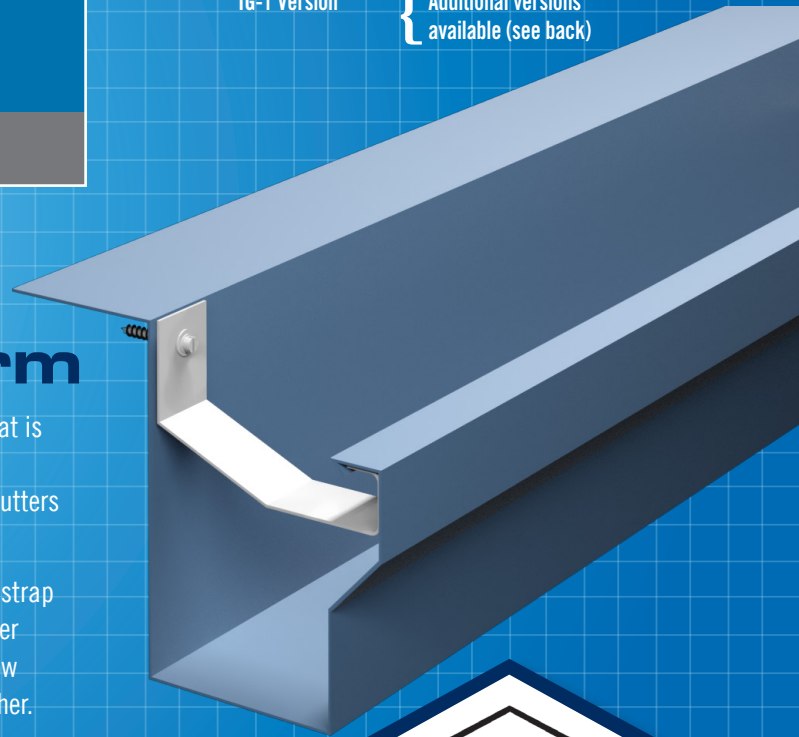
IG-1 Version

{ Additional versions available (see back)

The Industrial Gutter System that **Weathers the Storm**

There is a reason why Seal-Tite is the only industrial gutter system that is Factory Mutual approved. The unique design, superior performance in maximum roof drainage, and attractive appearance make Seal-Tite Gutters and Downspouts stand out from the crowd.

Seal-Tite Industrial Gutters feature a unique, heavy aluminum gutter strap design which eliminates the need for drilling and riveting. These gutter straps also securely support larger volumes of water and extreme snow and icing conditions, ensuring high performance even in severe weather.



► Try Seal-Tite's quick-to-ship products and see how Metal-Era can help to deliver your project **ON TIME AND ON BUDGET.**

High Quality

- Factory Mutual 1-90 approved for wind up lift protection
- Manufactured to rigid tolerances and furnished per required drainage capacity/size
- Available expansion joints to accommodate expansion and contraction
- Backed by a 20 year, 120 mph Wind Warranty

Economical

- Decreased labor costs due to easy installation
- Higher overall profit on your construction projects

Easy Installation

- Adapts easily to optional drainage bars or flow through gravel stops
- Manufactured in 12' lengths with pre-punched holes that eliminate the need for drilling, enabling easier installation which accommodates the thermal expansion/contraction of the gutter
- Fasteners and pop rivets included

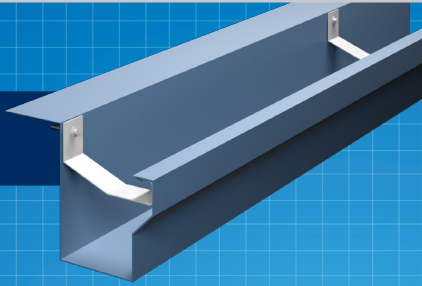


With Metal-Era's SPEQ promise of speed, protection, expertise and quality, you are assured that Seal-Tite is backed with quality and service guarantees.

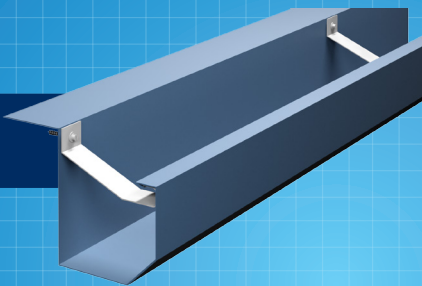
800-558-2162
www.metalera.com

Additional Seal-Tite Gutter Versions:

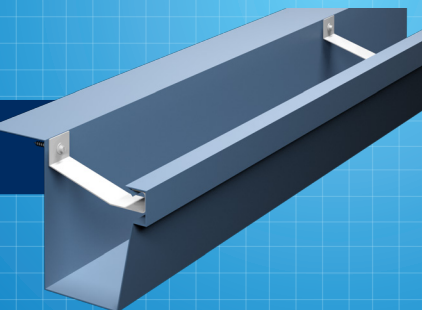
IG-1 Version*



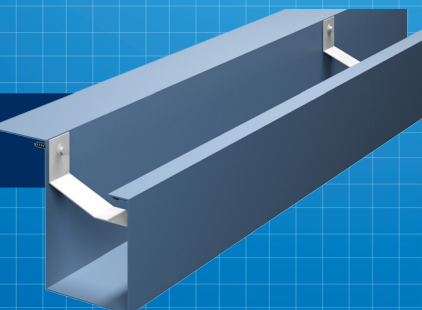
IG-2 Version*



IG-3 Version



IG-B Version*



Custom profiles available

*FM Approval Applies to IG-1, IG-2, IG-B

Quick Shipping in 11 Express Colors

Standard and custom finishes are also available to meet your needs. Our finishes are made of Valspar's Fluorpon® high performance Hylar 5000®/Kynar 500® finish and include a 30-year warranty. For the most accurate color representation, contact us to request a paint chip.

Call us at 800-558-2162 for lead times on your next project.



Metal-Era, Inc. is a Minority Business Enterprise and a member of the National Minority Supplier Development Council. Download Minority Business certificates for your region at www.metalera.com.

©2017. All statements herein are expressions of opinion, which by performance and testing are believed to be accurate and reliable, but are presented without guarantee or responsibility on our part. Statements concerning possible use of our products are made without any knowledge that such recommended uses may infringe any patent. No warranty, express or implied, other than that described in this literature, is made or intended. Kynar 500® is a registered trademark belonging to Arkema Inc.