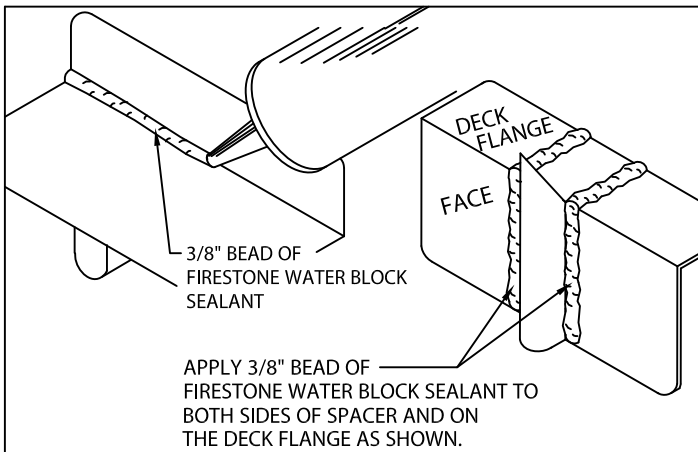


1. Roof Membrane

Position membrane over the roof edge and down outside face of wall, covering treated wood nailer(s) completely. Allow 1/2" excess membrane.

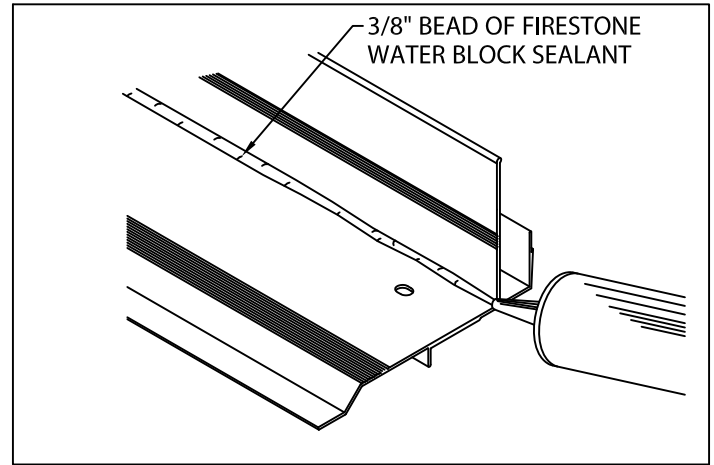
IMPORTANT! Outside edge of treated wood nailer(s) (minimum 2 x 4) shall be aligned flush with or extend slightly past outermost edge of wall. AnchorGard Platinum HG Fascia is for use as a perimeter securement on roof designs where the product is not installed in a waterline. If the product will be in a waterline or requires drainage over the edge, we would recommend the use of AnchorGard Canted Fascia or AnchorGard Drip Edge, depending on desired retention of water or drainage.



3. Anchor Bar Splice Plates

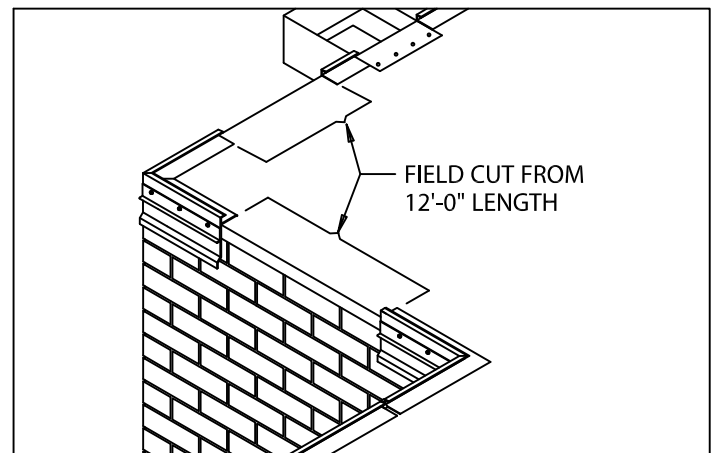
Apply Firestone water block sealant sealant to each splice plate as shown and described in STEP 2.

CAUTION! Installers shall wear protective eye wear to prevent injury. Do not over-drive fasteners, as stripping can occur at high driver torque. Recommended driving tool: 600 - 800 rpm electric drill equipped with depth-sensing nose-piece to prevent driving and stripout. Do not use impact type tool.



2. Miter & Scupper Anchor Bar (Preparation)

Lay miters and spill out scuppers on deck with outside face down. Be sure aluminum anchor bar is clean and free of dirt or dust. Apply a heavy 3/8" bead of Firestone water block sealant to the right angle intersection of the deck flange and back of anchor bar as shown. Application of sealant is required along the full length of each miter anchor bar.



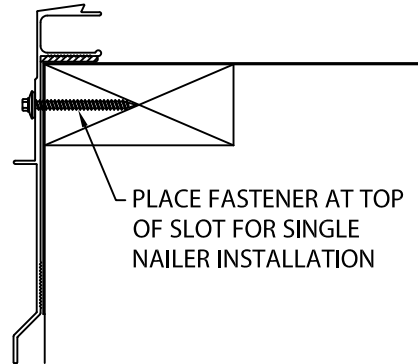
4. Miter Bar Installation

Fold roofing membrane at corners and install miters bars using 2" hex head stainless steel fasteners and driver bit provided. Fasten anchor bar corners to nailer with one splice plate under each end of corner. The anchor bar splice plate must be snug to ends of anchor bar. Next locate and install spill outs and scuppers with sealant, 2" fasteners and anchor bar splice plates.

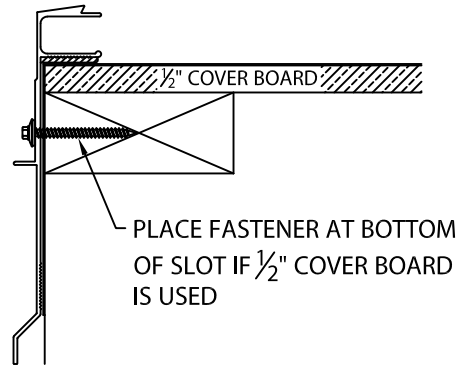
DIAGONAL SLOT ANCHOR BAR INSTALLATION

NOTE: IF THE SLOTS ON THE ANCHOR BAR ARE ALL HORIZONTAL, NOT DIAGONAL, FASTEN IN THE CENTER OF THE SLOT

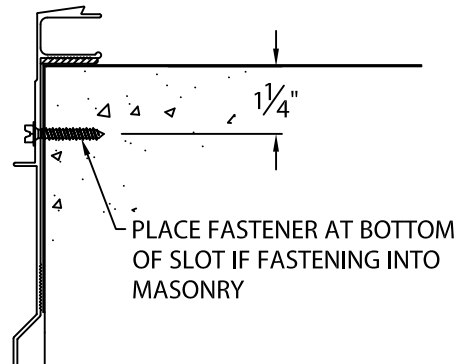
PLACE FASTENER AT TOP OF SLOT FOR SINGLE NAILER INSTALLATION



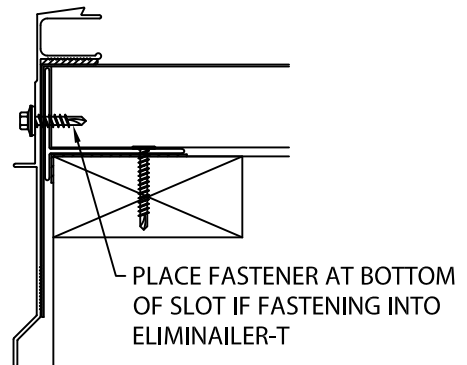
PLACE FASTENER AT BOTTOM OF SLOT IF 1/2" COVER BOARD IS USED



PLACE FASTENER AT BOTTOM OF SLOT IF FASTENING INTO MASONRY



PLACE FASTENER AT BOTTOM OF SLOT IF FASTENING INTO ELIMINAILER-T

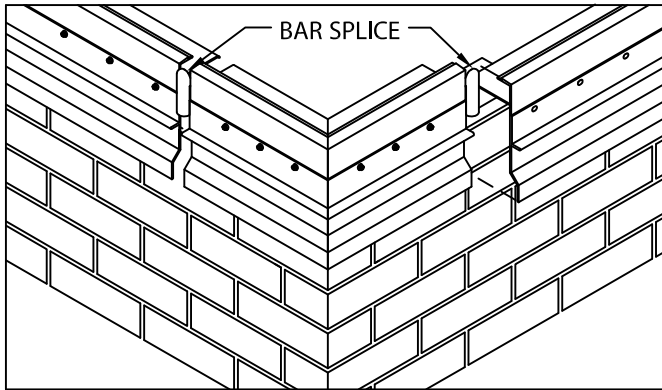




ANCHORGARD® PLATINUM HG FASCIA

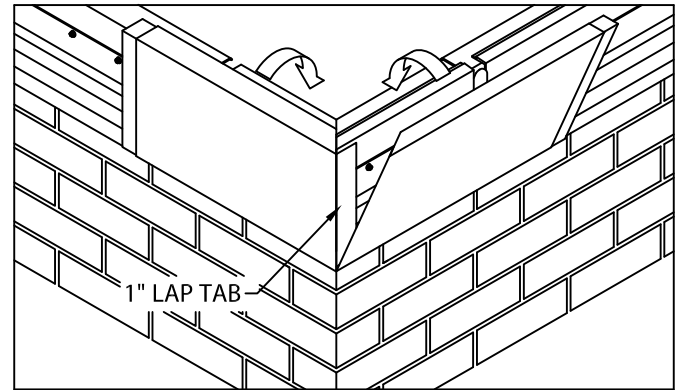
PLATINUM VERSION

INSTALLATION INSTRUCTIONS



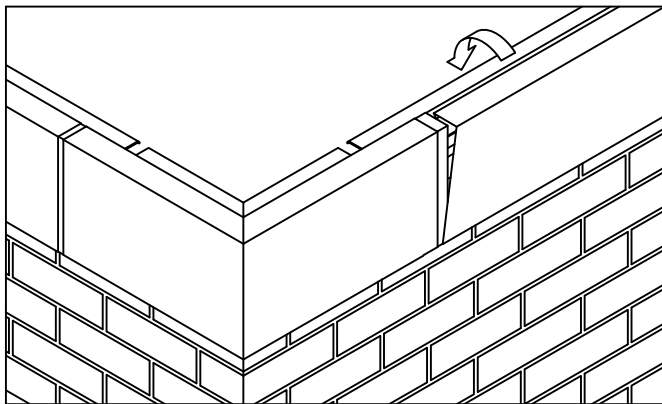
5. Anchor Bar Installation

Position 12' anchor bar sections with applied non-curing sealant as shown in step 3, overlapping anchor bar splice plate. Allow $\frac{1}{2}$ " space between anchor bars. Install anchor bar splice plate at other end of bar section. Fasten anchor bar 12" O.C. through slotted holes using provided 2" fasteners. Field cut sections as necessary.



6. Fascia Miter Covers

Install miter covers first. Insert one splice plate under each end of the two piece miter cover. Engage cover with 90° tab onto bottom of anchor bar and rotate miter cover up and over anchor bar miter until engaged along entire length of the anchor bar. Repeat steps to install miter cover without the 90° tab.

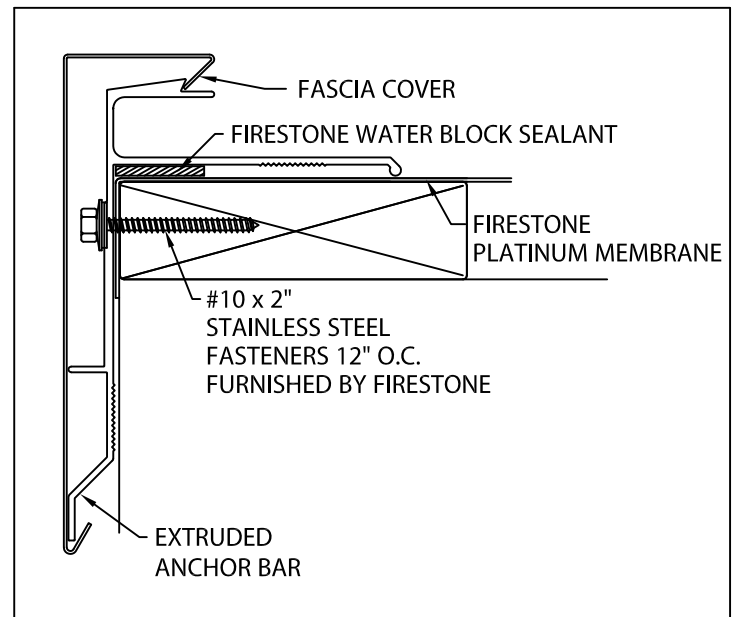


7. Fascia Covers

Install 12'-0" fascia cover sections. allow a 3/8" gap between fascia cover sections. Insert one splice plate under far end of each fascia cover section. Install cover by hooking lower edge of cover onto anchor bar and rotating cover up and over anchor bar until engaged along entire length of cover section. Continue to install cover sections in this manner, field cutting where necessary using a fine tooth hacksaw.

IMPORTANT! Be sure to remove protective plastic film prior to installing each fascia section.

TYPICAL INSTALLATION





ANCHORGARD® PLATINUM HG FASCIA

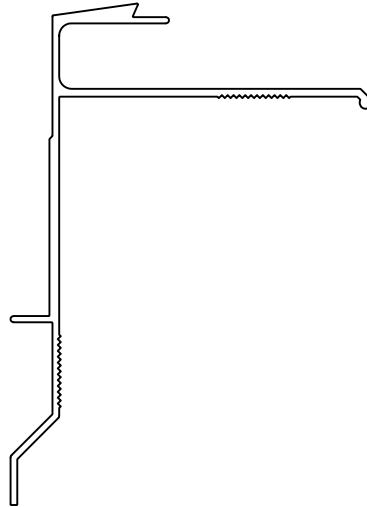
PLATINUM VERSION

INSTALLATION INSTRUCTIONS

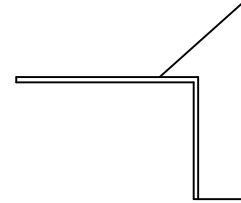
COMPONENT LIST



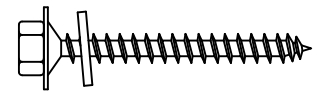
FASCIA COVER
12' - 0" LENGTHS



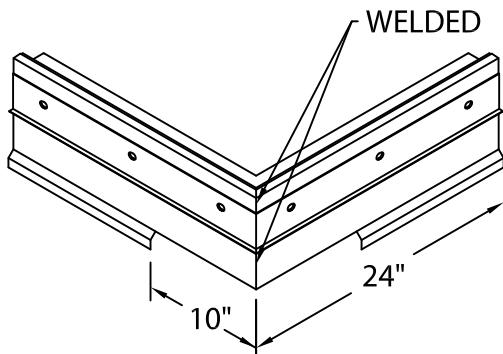
ANCHOR BAR
12' - 0" LENGTHS



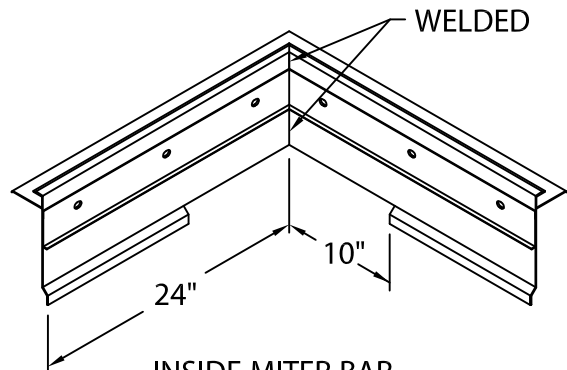
ANCHOR BAR SPLICE
3 1/2" WIDE W/ 3/4" EPDM GASKET



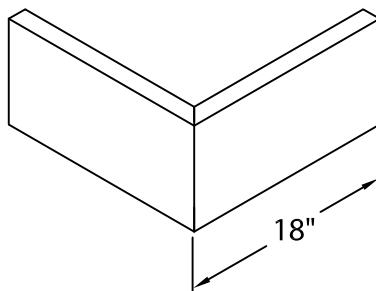
#10 x 2" STAINLESS STEEL
WOOD/METAL SCREW W/ WASHER



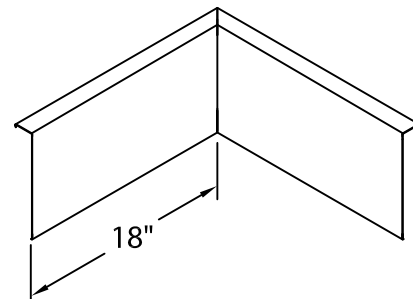
OUTSIDE MITER BAR



INSIDE MITER BAR



OUTSIDE MITER FASCIA COVER



INSIDE MITER FASCIA COVER