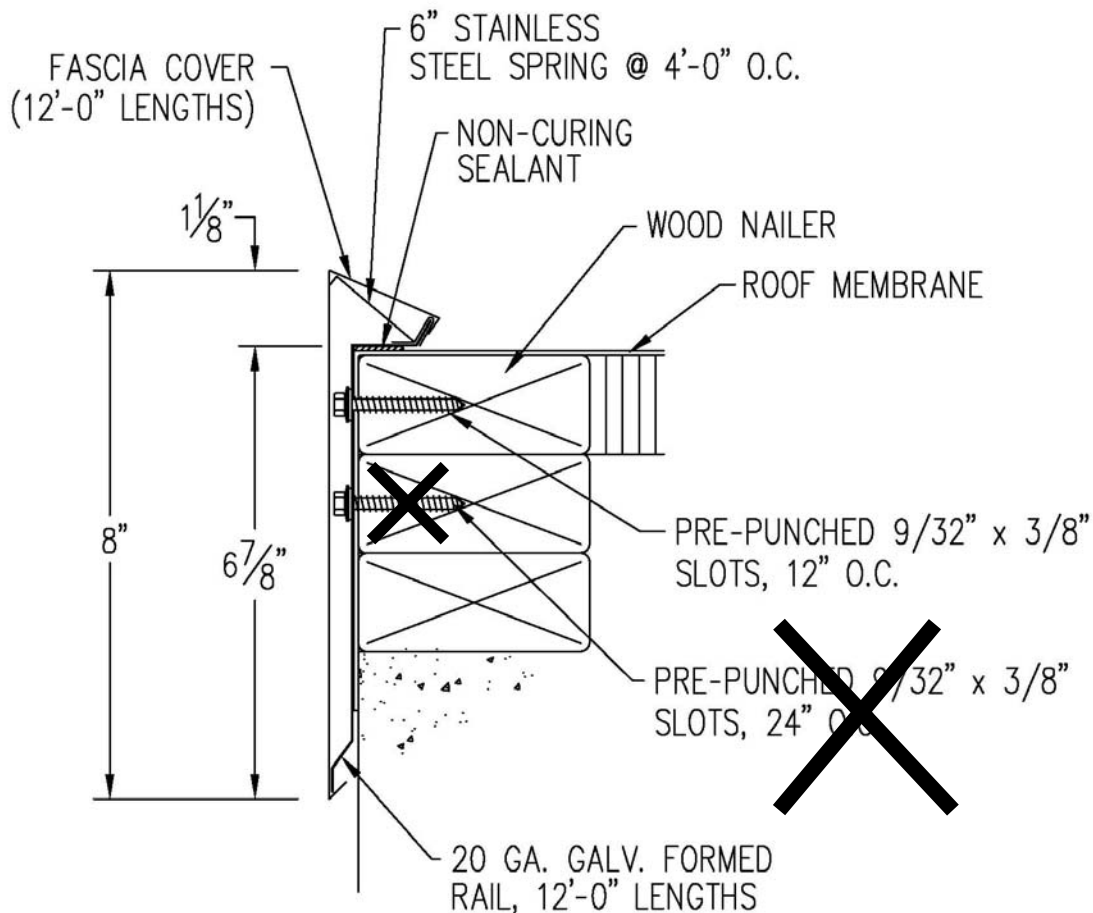


STOP & READ

RAIL FASCIA INSTALLATION ADDENDUM

New FM Ratings Allow for 33% Labor Savings
with Faster Installation on Rail Standard & Modified Fascia

- We no longer require a 2nd row of fasteners for our Rail Standard and Modified Fascia sizes = 6-1/2" & 8"
- Only use provided fasteners on the top row of slotted holes at 12" O.C.
- Do not fasten in the bottom row of slotted holes that are 24" O.C.

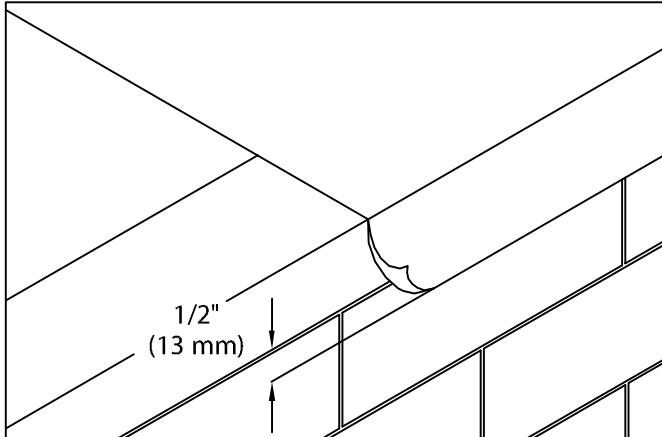




VERSITRIM FASCIA SYSTEM

FULLY ADHERED, MECHANICALLY ATTACHED OR STONE BALLAST SINGLE-PLY VERSION

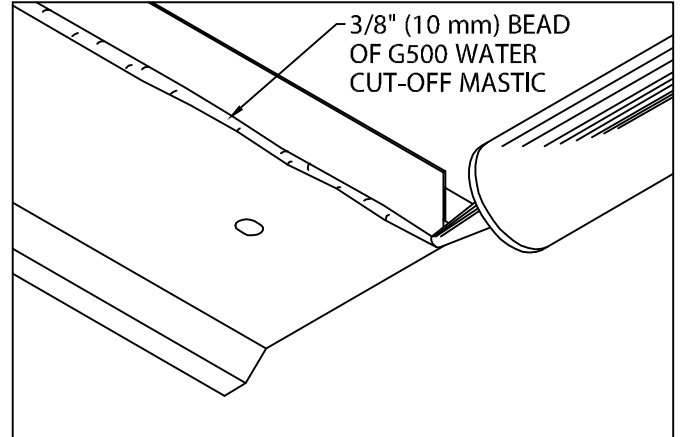
INSTALLATION INSTRUCTIONS



1. Roof Membrane

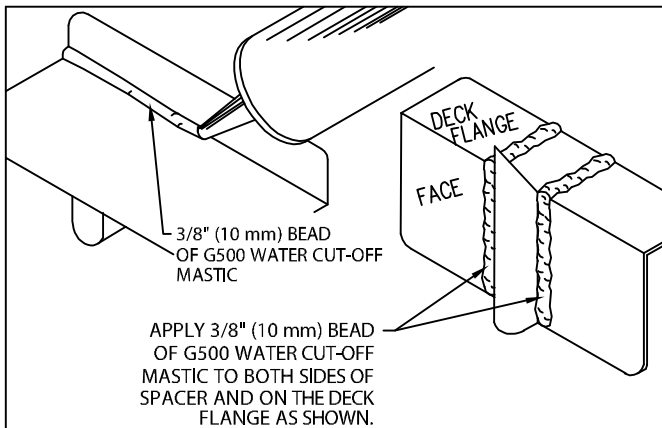
Position membrane over the roof edge and down outside face of wall, covering treated wood nailer(s) completely. Allow 1/2" (13 mm) excess membrane.

IMPORTANT! Outside edge of treated wood nailer(s) (minimum 2 x 4) shall be aligned flush with or extend slightly past outermost edge of wall.



2. Miter & Scupper Retainer Guard (Preparation)

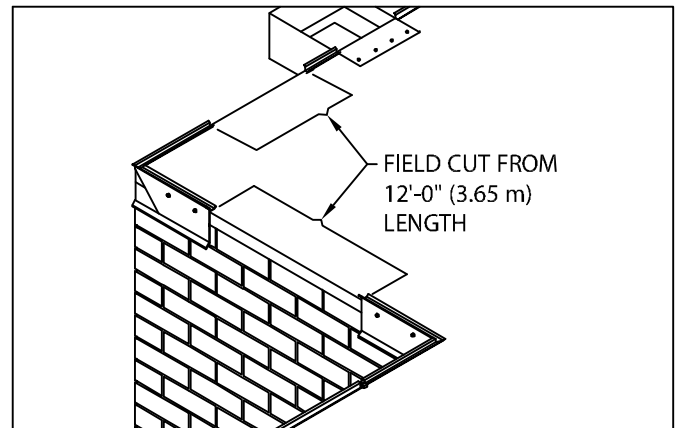
Lay miters and spillover scuppers on deck with outside face down. Be sure aluminum retainer guard is clean and free of dirt or dust. Apply a heavy 3/8" (10 mm) bead of G500 to the right angle intersection of the deck flange and back of retainer guard as shown. Application of G500 is required along the full length of each miter retainer guard.



3. Retainer Guard Splice Plates

Apply bead of Versico G500 water cut-off mastic to each splice plate as described in STEP 2.

CAUTION! Installers shall wear protective eyewear to prevent injury. Do not over-drive fasteners, as stripping can occur at high driver torque. Recommended Driving Tool : 600 - 800 rpm electric drill equipped with depth-sensing nosepiece to prevent over-driving and stripout. Do not use impact type tool.



4. Miter Bar Installation

Fold roofing membrane at corners and install miters using the 2" (51 mm) hex head stainless steel fasteners and driver bit furnished. Fasten retainer guard miters to nailer with one splice plate under each end of miters. The sponge gasket must be snug to ends of retainer guard. Next locate and install spillouts and scuppers with G500, 2" (51 mm) fasteners and splice plates.



Customer Service
800-558-2162

DATE: 03/04/17
DRN BY: JJC
CKD BY: SAK

SHT.# 1 OF 2
DWG# 18110-1992

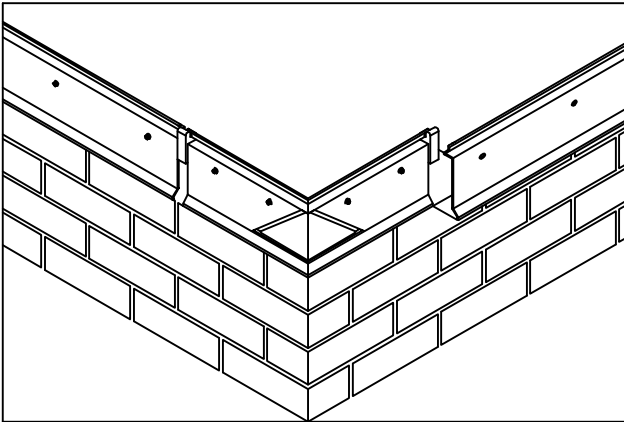
C



VERSITRIM FASCIA SYSTEM

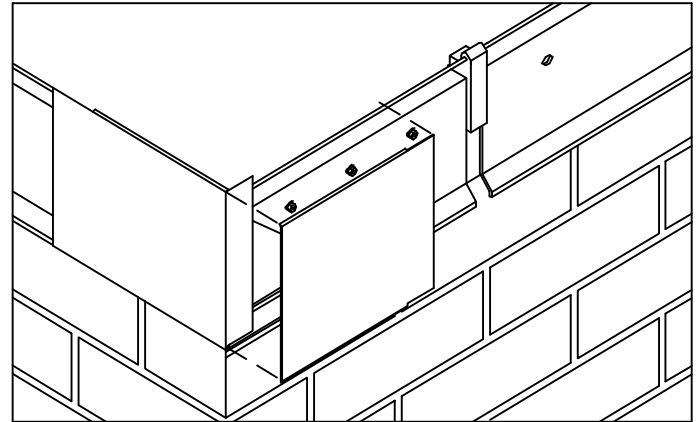
FULLY ADHERED, MECHANICALLY ATTACHED OR STONE BALLAST SINGLE-PLY VERSION

INSTALLATION INSTRUCTIONS



5. Retainer Guard (Installation)

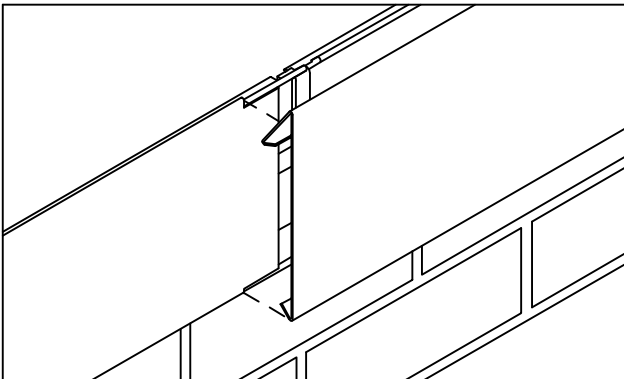
Position 12'-0" (3.65 m) sections of retainer guard with applied G500 as shown in steps 2 & 3 overlapping splice plate and butting snugly into gasket. Allow 1/2" (13 mm) space between retainer guards. Install splice plate at other end of 12'-0" (3.65 m) guard. Fasten retainer guard 12" (305 mm) O.C. through slots using the 2" (51 mm) stainless steel fasteners. Field cut sections as necessary.



6. Fascia Miter Covers

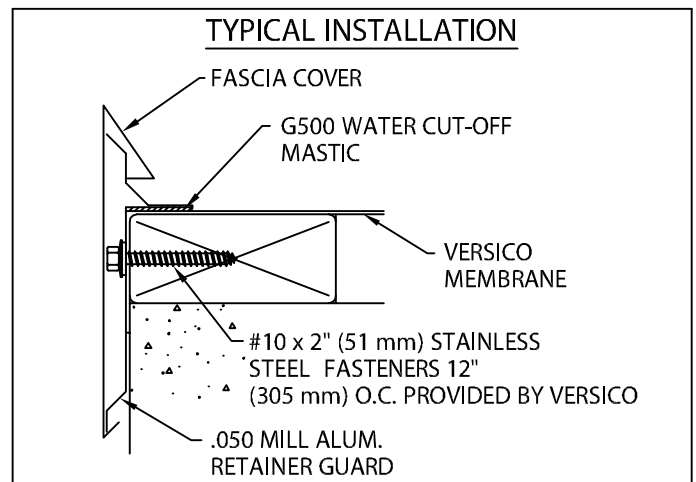
Install 2-piece "snap-on" fascia miter covers first by snapping on fascia corner cover with 90° (degree) tab, followed by corner cover without the tab. Simply position the cover atop retainer guard with palm of hand apply slight pressure downward until engaged to retainer guard.

IMPORTANT! Be sure to remove protective plastic film prior to installing each fascia section.



7. Fascia Panels

Position 12'-0" (3.65 m) fascia panels on top of retainer guard and overlap preceding panel approximately 1" (25 mm) at notches provided. Fascia covers shall be installed from right to left as seen from rooftop. With fascia panels in correct position atop retainer guard, simply snap each section onto retainer guard by applying downward pressure with palm of the hand until the fascia cover is fully engaged along the entire length. Continue to install fascia covers, field cutting where necessary using fine tooth hacksaw.



Customer Service 800-558-2162	DATE: 03/04/17	SHT.# 2 OF 2
	DRN BY: JJC	
	CKD BY: SAK	DWG# 18110-1992