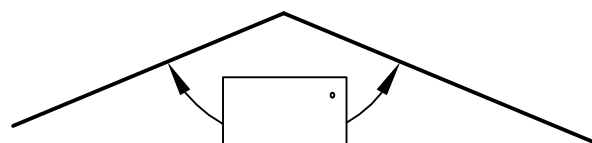


# NON 90° FASCIA MITERS

## OUTSIDE MITER - OBTUSE



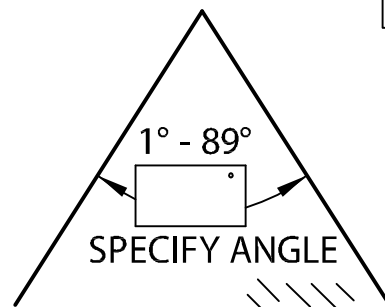
SPECIFY ANGLE 91° - 179°



- Standard Leg Lengths  
 Custom Leg Lengths \_\_\_\_\_ Qty \_\_\_\_\_

## OUTSIDE MITER - ACUTE

INTERNAL USE



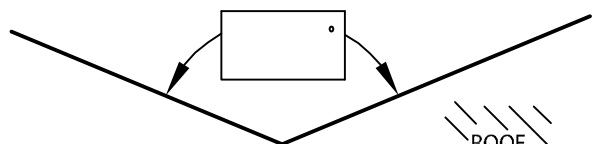
SPECIFY ANGLE



- Standard Leg Lengths  
 Custom Leg Lengths \_\_\_\_\_ Qty \_\_\_\_\_

## INSIDE MITER - OBTUSE

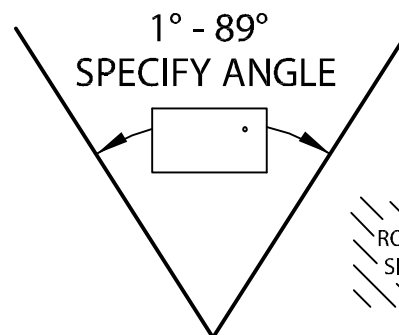
SPECIFY ANGLE 91° - 179°



- Standard Leg Lengths  
 Custom Leg Lengths \_\_\_\_\_ Qty \_\_\_\_\_

## INSIDE MITER - ACUTE

INTERNAL USE



SPECIFY ANGLE



- Standard Leg Lengths  
 Custom Leg Lengths \_\_\_\_\_ Qty \_\_\_\_\_

Fabrication will proceed only after receipt of signed print approval.

## Print Approval:

Architect and/or contractor shall verify all dimensions, sizes and quantities. All products to be installed in strict accordance with Derbigum's printed instructions.

Approved by: \_\_\_\_\_

Date: \_\_\_\_\_

## MATERIAL:

\_\_\_ 24 Ga. (.65 mm) Galv.

\_\_\_ .040" (1.01 mm) Alum.

\_\_\_ .050" (1.27 mm) Alum.

\_\_\_ .063" (1.60 mm) Alum.

\_\_\_ OTHER \_\_\_\_\_

Color: \_\_\_\_\_

Finish: \_\_\_\_\_

PROJECT:

ARCHITECT:

ROOFING CONTRACTOR:

REPRESENTATIVE/DISTRIBUTOR:

Customer Service  
1-800-727-9872



**DERBIGUM®**  
MAKING BUILDINGS SMART

DATE: 02/07/17

DRN BY: JJC

CKD BY: SAK

SHT.# \_\_\_ OF \_\_\_

DWG# 20010-25624

**A**