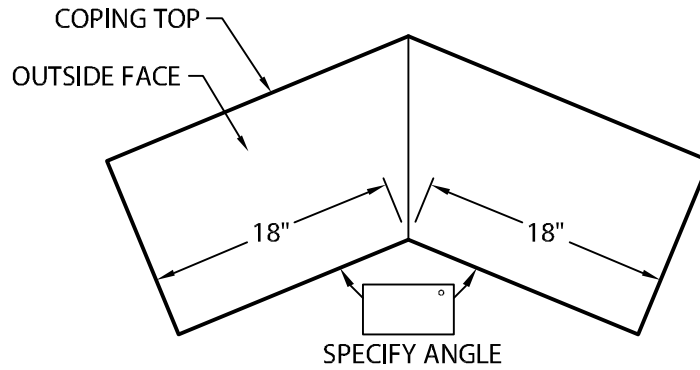


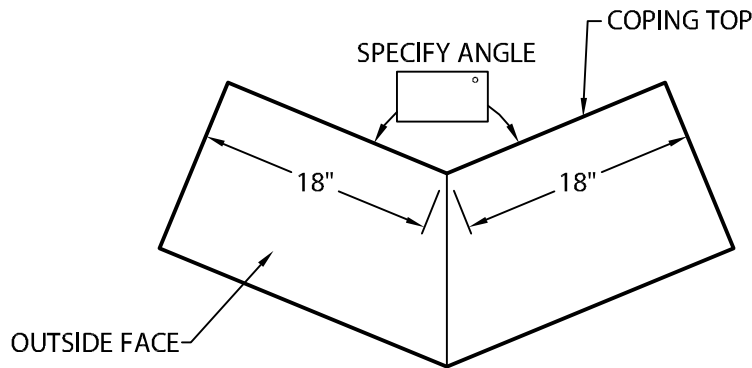
PEAK AND VALLEY COPING MITERS

PEAK MITER
FRONT VIEW SHOWN



WALL SIZE: _____
FOR CUSTOM LEG LENGTHS
MODIFY DRAWING ABOVE

VALLEY MITER
FRONT VIEW SHOWN



WALL SIZE: _____
FOR CUSTOM LEG LENGTHS
MODIFY DRAWING ABOVE

NOTES:

- ① WELDED ACCESSORIES REQUIRE A MINIMUM MATERIAL THICKNESS OF .050".

MATERIAL:

- ___ 24 GA. GALVANIZED STEEL
 - ___ 22 GA. GALVANIZED STEEL
 - ___ .040" ALUMINUM
 - ___ .050" ALUMINUM
 - ___ .063" ALUMINUM
 - ___ OTHER _____
- COLOR: _____
- FINISH: _____

QUANTITIES:

- ___ PEAK MITERS
- ___ VALLEY MITERS

SPECIFY ACCESSORY TYPE:
 WELDED ①
 QUICKLOCK

AUTHORIZED SIGNATURE: _____
APPROVED BY: _____
DATE: _____

PROJECT: _____
ARCHITECT: _____
ROOFING CONTRACTOR: _____
REPRESENTATIVE/DISTRIBUTOR: _____

800-356-3521
www.soprema.us
310 Quadral Dr. Wadsworth, OH 44281
f: 330-334-6257



DATE: 10/19/15	SHT.# _____ OF _____
DRN BY: JJC	
CKD BY: SAK	DWG# 33011-7539