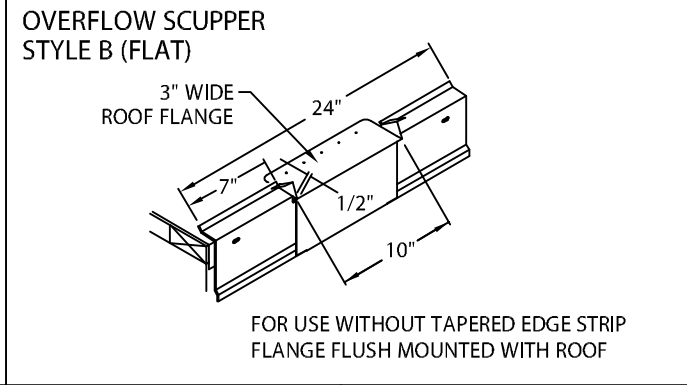
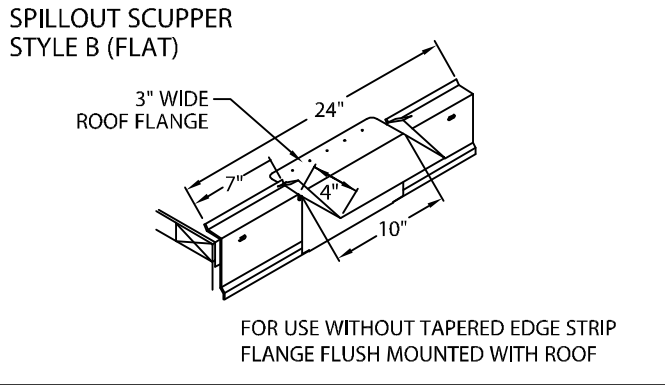
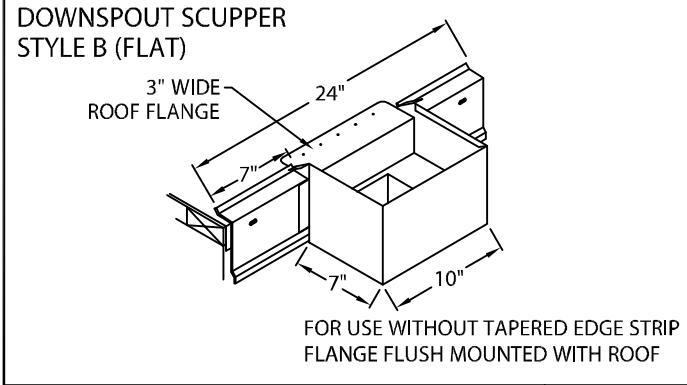
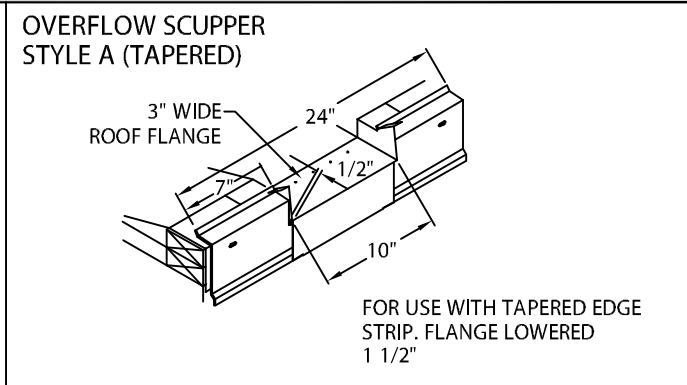
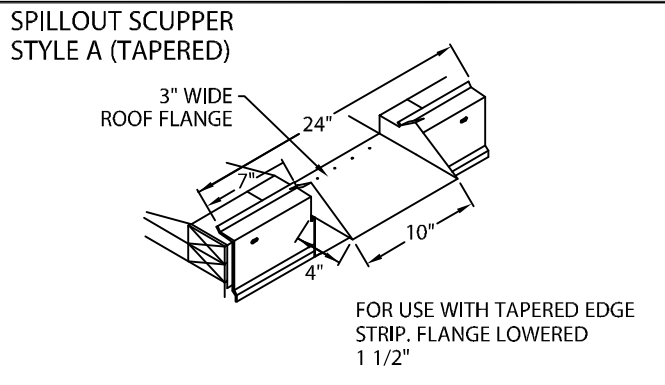
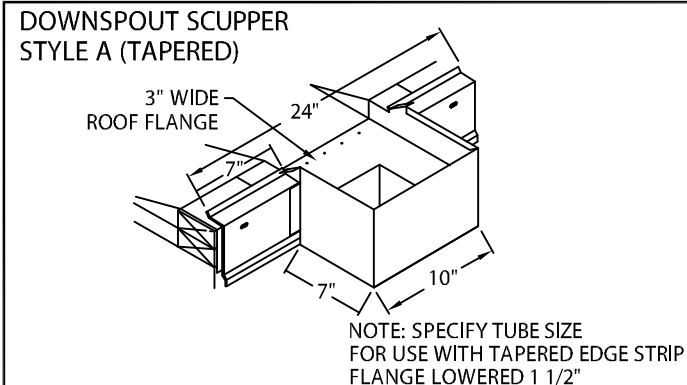


ONE EDGE SCUPPERS

FULLY ADHERED OR MECHANICALLY ATTACHED SINGLE-PLY VERSION

SCUPPERS - FACTORY WELDED CONSTRUCTION



Fabrication will proceed only after receipt of signed print approval.

Print Approval:
Architect and/or contractor shall verify all dimensions, sizes and quantities. All products to be installed in strict accordance with Metal-Era's printed instructions.

Approved by: _____

Date: _____

QUANTITIES:

<u>DOWNSPOUT SCUPPER</u>	<u>SPILLOUT SCUPPER</u>	<u>OVERFLOW SCUPPER</u>
____ STYLE A (TAPERED) (1 1/2" DROP)	____ STYLE A (TAPERED) (1 1/2" DROP)	____ STYLE A (TAPERED) (1 1/2" DROP)
____ STYLE B (FLAT)	____ STYLE B (FLAT)	____ STYLE B (FLAT)
____ CUSTOM TAPER ____" DROP	____ CUSTOM TAPER ____" DROP	____ CUSTOM TAPER ____" DROP
(DOWNSPOUT SIZE) ____ x ____		

MATERIAL:

____ 24 GA. STEEL

____ .040" ALUMINUM

____ OTHER _____

COLOR: _____

FINISH: _____

PROJECT: _____

ARCHITECT: _____

ROOFING CONTRACTOR: _____

REPRESENTATIVE/DISTRIBUTOR: _____

Corporate Offices, Manufacturing
1600 Airport Road; Waukesha, WI 53188
Phone: 800-558-2162
Fax: 800-373-9156
www.metalera.com



DATE: 10/13/15

DRN BY: JJC

CKD BY: SAK

SHT.# ____ OF ____

DWG# 24010-11556

D