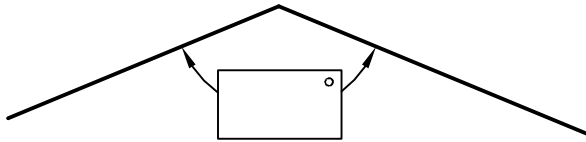


# NON 90° FASCIA MITERS

## OUTSIDE MITER - OBTUSE

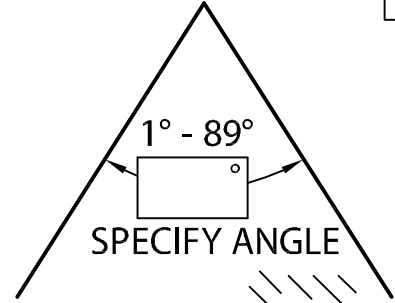


SPECIFY ANGLE 91° - 179°

- Standard Leg Lengths  
 Custom Leg Lengths \_\_\_\_\_ Qty \_\_\_\_\_

## OUTSIDE MITER - ACUTE

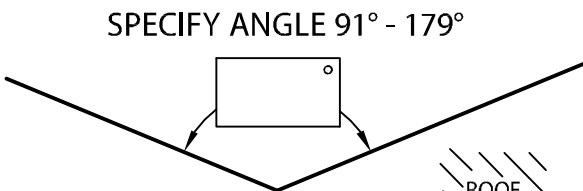
INTERNAL USE



1° - 89°  
SPECIFY ANGLE

- Standard Leg Lengths  
 Custom Leg Lengths \_\_\_\_\_ Qty \_\_\_\_\_

## INSIDE MITER - OBTUSE

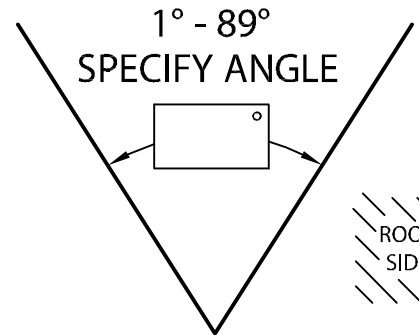


SPECIFY ANGLE 91° - 179°

- Standard Leg Lengths  
 Custom Leg Lengths \_\_\_\_\_ Qty \_\_\_\_\_

## INSIDE MITER - ACUTE

INTERNAL USE



1° - 89°  
SPECIFY ANGLE

- Standard Leg Lengths  
 Custom Leg Lengths \_\_\_\_\_ Qty \_\_\_\_\_

Fabrication will proceed only after receipt of signed print approval.

## Print Approval:

Architect and/or contractor shall verify all dimensions, sizes and quantities. All products to be installed in strict accordance with Carlisle SynTec, Inc.'s printed instructions.

Approved by: \_\_\_\_\_

Date: \_\_\_\_\_

## MATERIAL:

\_\_\_ 24 Ga. (.65 mm) Galv.

\_\_\_ .040" (1.01 mm) Alum.

\_\_\_ .050" (1.27 mm) Alum.

\_\_\_ .063" (1.60 mm) Alum.

\_\_\_ OTHER \_\_\_\_\_

Color: \_\_\_\_\_

Finish: \_\_\_\_\_

PROJECT:

ARCHITECT:

ROOFING CONTRACTOR:

REPRESENTATIVE/DISTRIBUTOR:

Customer Service  
866-458-3537  
(Metal-Era)



DATE: 10/14/16

DRN BY: JJC

CKD BY: SAK

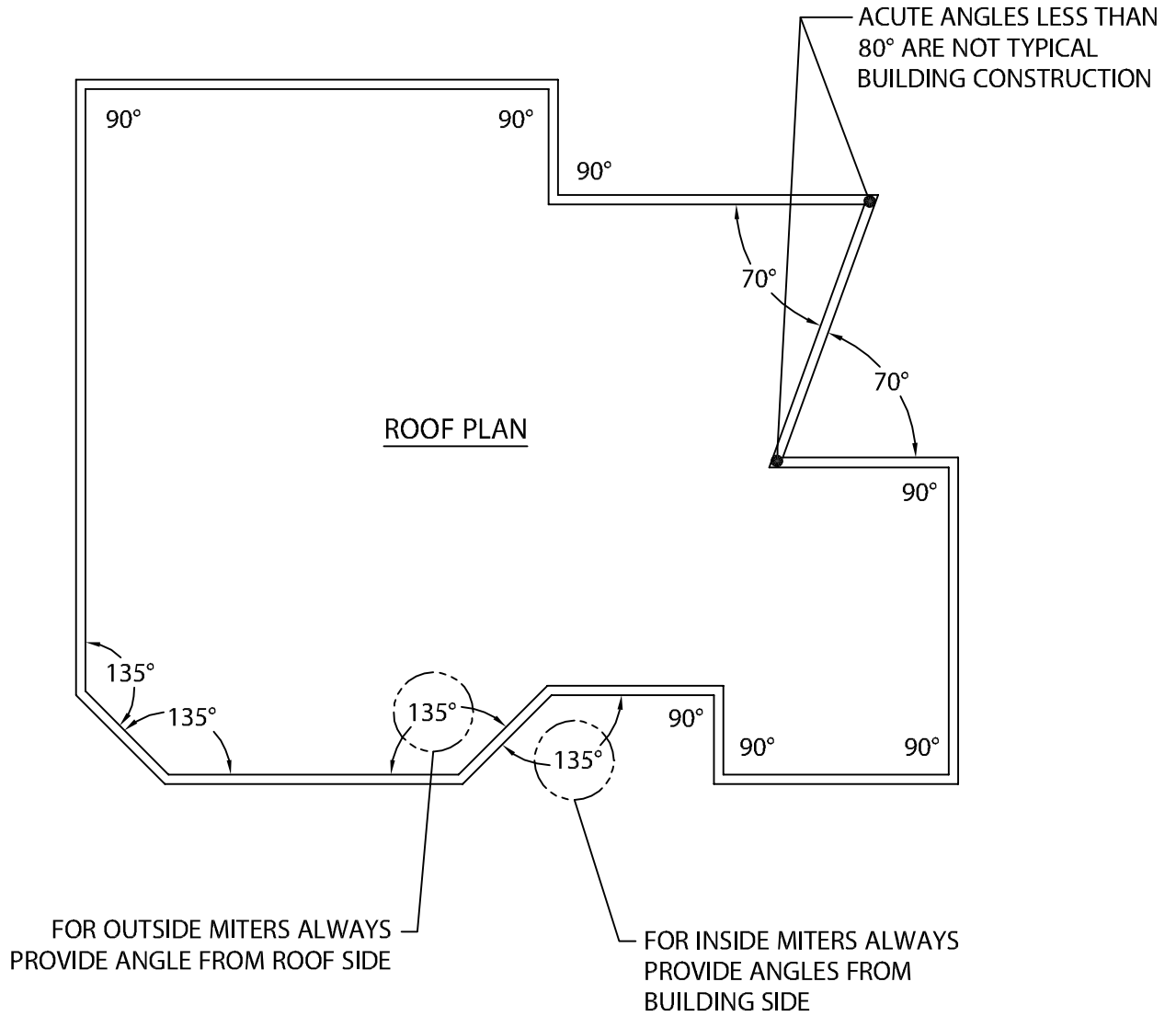
SHT.# \_\_\_ OF \_\_\_

DWG# 15010-1625

C

# NON 90° FASCIA MITERS

RIGHT ANGLES ARE 90°  
ACUTE ANGLES RANGE FROM 1° - 89°  
OBTUSE ANGLES RANGE FROM 91° - 179°



|   |                |                             |  |
|---|----------------|-----------------------------|--|
| CUSTOMER SERVICE<br>866-458-3537<br>(METAL-ERA) | DATE: 10/11/16 | SHT.# ___ OF ___            |  |
|   | DRN BY: JJC    | DWG# 15510-25013   <b>A</b> |  |
|   | CKD BY: SAK    |                             |  |