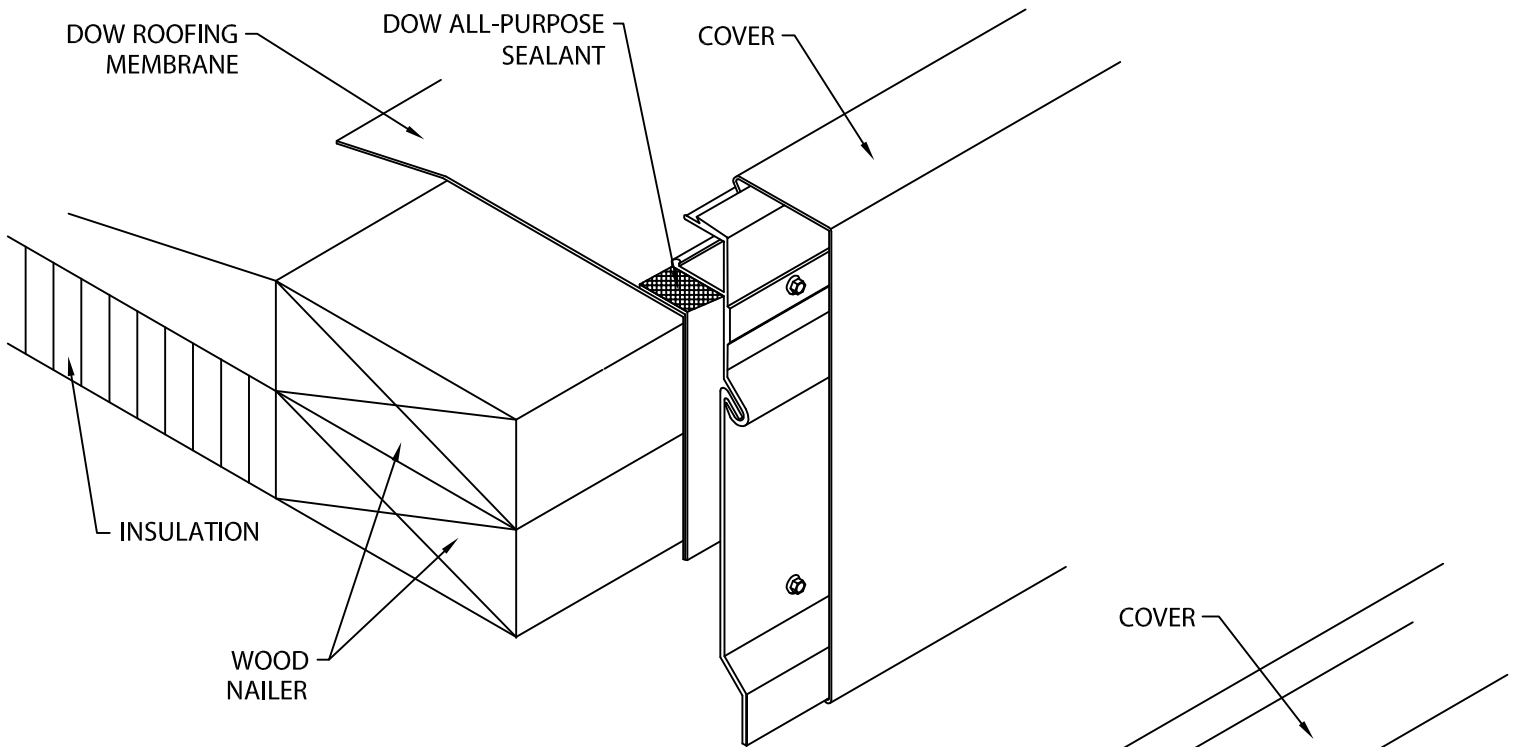




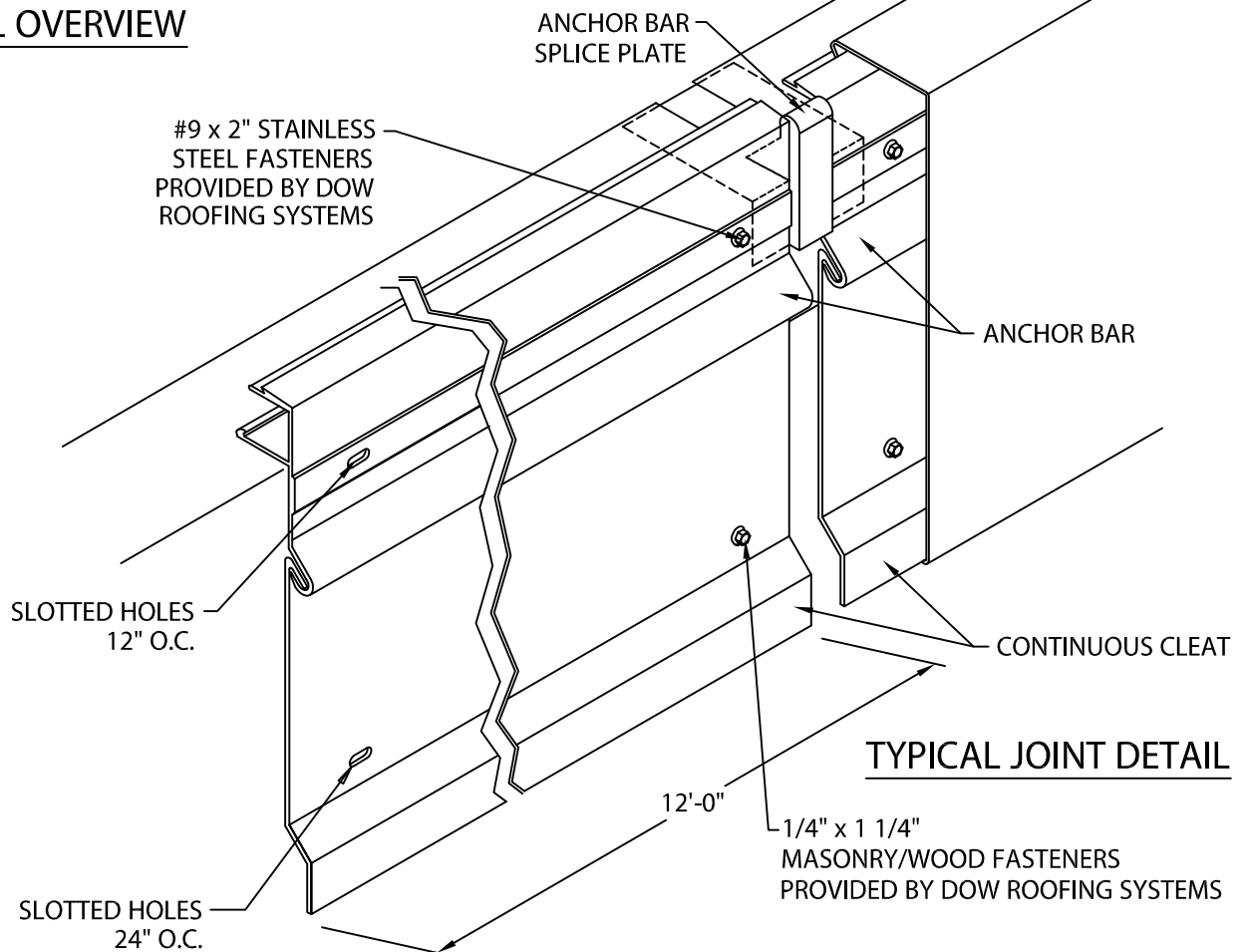
APPROVED
1-270

DOW EXTENDED FASCIA

DETAILS



TYPICAL OVERVIEW



TYPICAL JOINT DETAIL



ROOFING SYSTEMS

P: 800-621-ROOF

DATE: 02/24/09

DRN BY: JJC

CKD BY: SAK

SHT.# ___ OF ___

DWG# 12510-2941

D