

RADIUS ELIMINAILER™ T

FOR USE WITH EXISTING WOOD NAILER

CONCAVE OR CONVEX VERSION

PATENT PENDING

PROVIDING A RADIUS

THE RADIUS MAY BE PROVIDED IN ONE OF TWO METHODS:

1.) THE ACTUAL KNOWN RADIUS IS

_____ ' FEET _____ " INCHES

OR

MINIMUM OF 2'-6" RADIUS ALLOWED

(CALL IF LESS)
RADIUS PRODUCT NOT
REQUIRED IF OVER 200'-0"

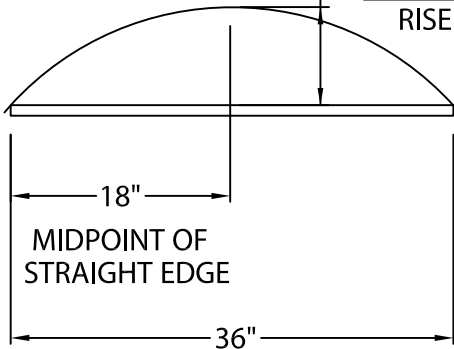
2.) FIELD CONDITION MEASUREMENTS

NOTE: REFER TO ATTACHED WORKSHEET
FOR FURTHER INFORMATION

_____ " INCHES

RISE

MAXIMUM OF 6" RISE
(CALL IF MORE)
RADIUS PRODUCT NOT
REQUIRED IF UNDER 5/32" RISE



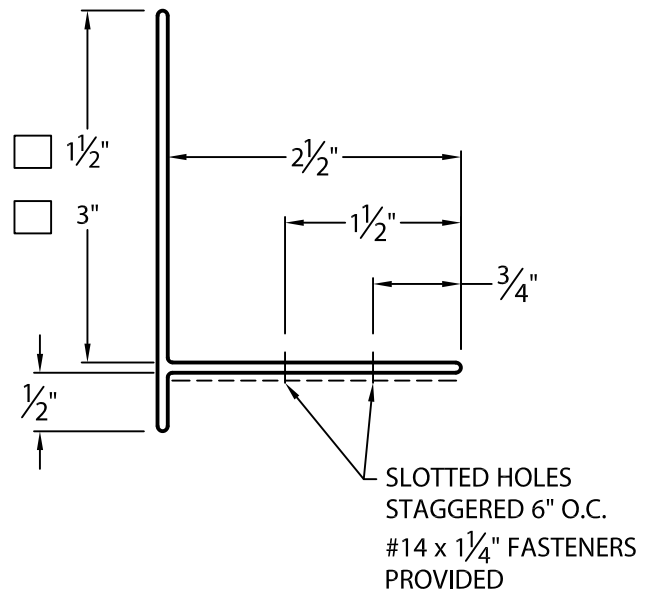
MIDPOINT OF
STRAIGHT EDGE

LENGTH OF
STRAIGHT EDGE

NOTE: CHECK MEASUREMENTS ALONG ENTIRE RADIUS.

DETAIL A

----- INDICATES AREAS THAT WILL BE SLIT AS
NEEDED TO ACCOMODATE RADIUS



SLOTTED HOLES
STAGGERED 6" O.C.
#14 x 1/4" FASTENERS
PROVIDED

Fabrication will proceed only after receipt of signed print approval.

Print Approval:

Architect and/or contractor shall verify all dimensions, sizes and quantities. All products to be installed in strict accordance with Metal-Era's printed instructions.

Approved by: _____

Date: _____

MATERIAL:

.080" EXTRUDED ALUMINUM

QUANTITIES:

_____ LINEAL FEET 12'-0" LENGTHS

SUPPLIED IN 12'-0" LENGTHS FOR A RADIUS OF 4'-0" OR GREATER AND IN 6'-0" LENGTHS FOR A RADIUS OF A MINIMUM OF 2'-6" RADIUS TO 4'-0" RADIUS

PROJECT:

ARCHITECT:

ROOFING CONTRACTOR:

REPRESENTATIVE/DISTRIBUTOR:

Corporate Offices, Manufacturing
1600 Airport Road; Waukesha, WI 53188
Phone: 800-558-2162
Fax: 800-373-9156
www.metalera.com



DATE: 02/16/18

DRN BY: JJC

CKD BY: SAK

SHT.# _____ OF _____

DWG# 11018-28050

A