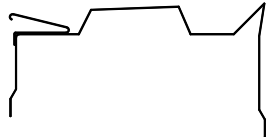


### NOTES:



- ① ANCHOR CLIP PROFILE ON WALLS 14" AND GREATER.
- ② IF WALL SIZE IS OVER 16", THE RISE IS 5/8".
- ③ FACE = COVERAGE (SHOULD EXTEND A MIN. OF 1" BELOW WATERPROOFING MEMBRANE) + 2 1/4".
- ④ 24 GA. GALV. AND .040" ALUM. COPING COVERS AVAILABLE FOR WALL SIZES 3 1/2" TO 24" ONLY.
- ⑤ WELDED ACCESSORIES REQUIRE A MINIMUM MATERIAL THICKNESS OF .050".
- ⑥ FOR NON 90° MITERS PLEASE USE PRINT APPROVAL #16011-2509.

### MATERIAL:

- \_\_\_ 24 GA. GALVANIZED STEEL ④
  - \_\_\_ 22 GA. GALVANIZED STEEL
  - \_\_\_ .040" ALUMINUM ④
  - \_\_\_ .050" ALUMINUM
  - \_\_\_ .063" ALUMINUM
  - \_\_\_ OTHER \_\_\_\_\_
- COLOR: \_\_\_\_\_
- FINISH: \_\_\_\_\_

### QUANTITIES:

\_\_\_\_\_ LINEAL FEET 12'-0" LENGTHS

### ACCESSORIES:

- \_\_\_ OUTSIDE MITERS @ 90° ⑥
  - \_\_\_ INSIDE MITERS @ 90° ⑥
  - \_\_\_ RIGHT ENDCAPS
  - \_\_\_ LEFT ENDCAPS
  - \_\_\_ RIGHT ENDWALL (COPING VERSION)
  - \_\_\_ LEFT ENDWALL (COPING VERSION)
  - \_\_\_ RIGHT ENDWALL (SPLICE PLATE VERSION)
  - \_\_\_ LEFT ENDWALL (SPLICE PLATE VERSION)
- SPECIFY ACCESSORY TYPE:
- WELDED ⑤
  - QUICKLOCK

AUTHORIZED SIGNATURE:

APPROVED BY: \_\_\_\_\_

DATE: \_\_\_\_\_



PROJECT:

ARCHITECT:

ROOFING CONTRACTOR:

REPRESENTATIVE/DISTRIBUTOR:

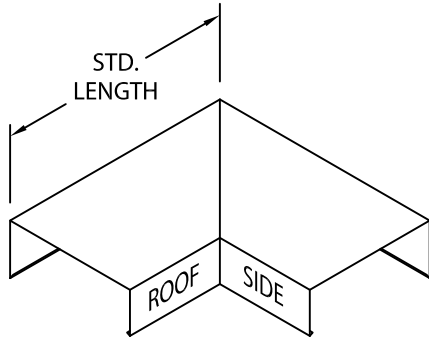
CUSTOMER SERVICE  
866-458-3537  
(METAL-ERA)

DATE: 02/12/20  
DRN BY: JJC  
CKD BY: JAI

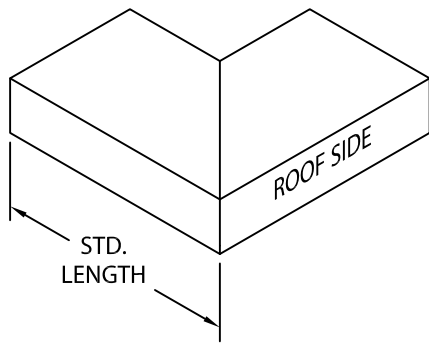
SHT.# \_\_\_ OF \_\_\_

DWG# 16011-26561

B



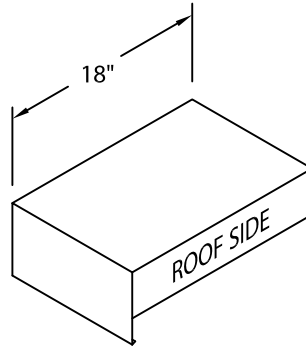
OUTSIDE MITER



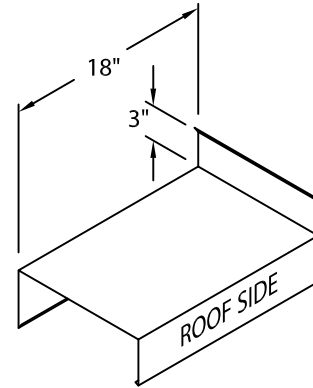
INSIDE MITER

MITER STANDARD LEG LENGTH:  
 $WALL\ SIZE + 9\frac{5}{8}'' = LENGTH$

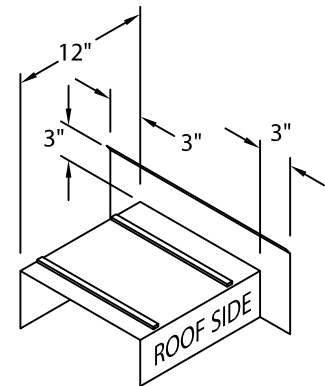
## STANDARD ACCESSORIES



ENDCAP  
 (LEFT HAND SHOWN)



ENDWALL FLASHING  
 COPING VERSION  
 (RIGHT HAND SHOWN)



ENDWALL FLASHING  
 SPLICE PLATE VERSION  
 (RIGHT HAND SHOWN)  
 (AVAILABLE ONLY IN  
 .040" WELDED, PAINTED  
 TO MATCH COPING)

## ADDITIONAL ACCESSORIES ARE AVAILABLE ON WEBSITE:

- TRANSITION MITERS
- STRAIGHT TRANSITION MITERS
- "T" MITERS
- "Z" MITERS
- STEP-UP MITERS
- PEAK / VALLEY MITERS
- PILASTER CAPS
- RADIUS COPING
- ARCHED COPING

(FOR ADDITIONAL ACCESSORY REQUIREMENTS, ATTACH SKETCHES OR CALL MANUFACTURER FOR ASSISTANCE).

51 LEXINGTON STREET; LEWISTON, ME 04240 CUSTOMER SERVICE: 800-223-8317 USA 800-445-1500 CANADA	TECHNICAL SERVICE: 800-445-1500 USA & CANADA FAX: 207-784-0125 OTHER AREAS CALL: 207-784-0123	DATE: 02/12/20	SHT.# ___ OF ___	
		DRN BY: JJC	DWG# 16011-26561	
		CKD BY: JAI		