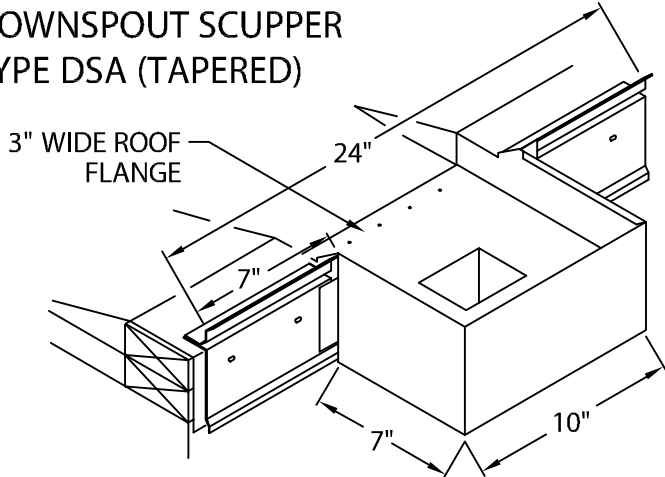


# VERSITRIM FASCIA SYSTEM

FULLY ADHERED, MECHANICALLY ATTACHED OR STONE BALLAST SINGLE-PLY VERSION

SCUPPERS - FACTORY WELDED CONSTRUCTION

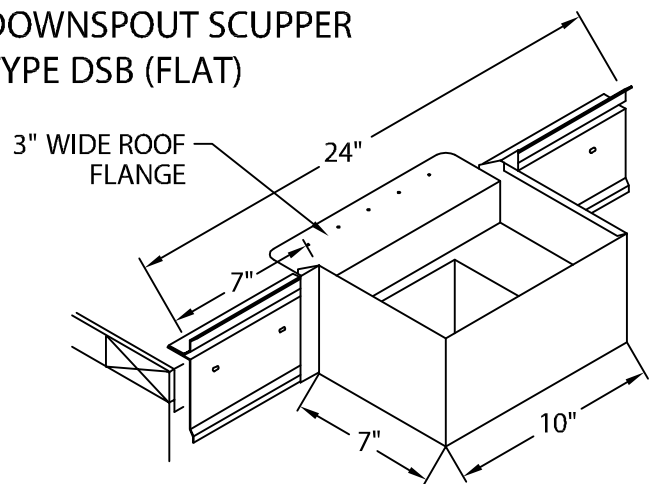
**DOWNSPOUT SCUPPER  
TYPE DSA (TAPERED)**



FOR USE WITH TAPERED EDGE STRIP.  
FLANGE LOWERED 1 1/2\".

**NOTE : SPECIFY TUBE SIZE**

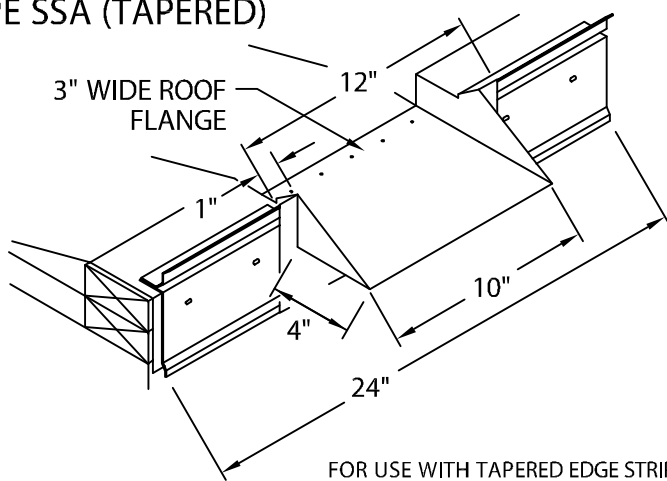
**DOWNSPOUT SCUPPER  
TYPE DSB (FLAT)**



FOR USE WITHOUT TAPERED EDGE STRIP.  
FLANGE FLUSH MOUNTED WITH ROOF.

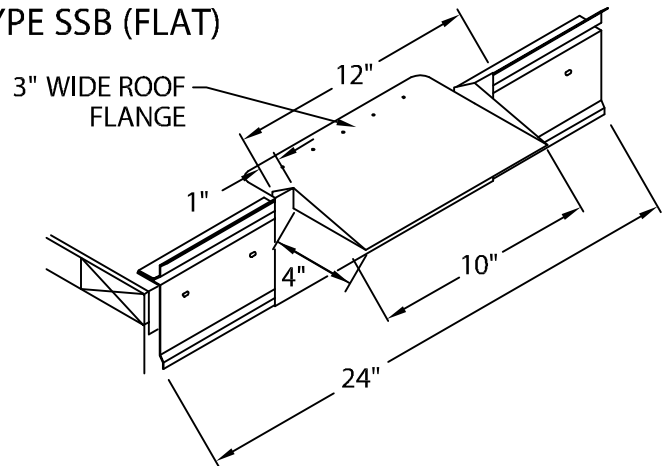
**NOTE : SPECIFY TUBE SIZE**

**SPILLOUT SCUPPER  
TYPE SSA (TAPERED)**



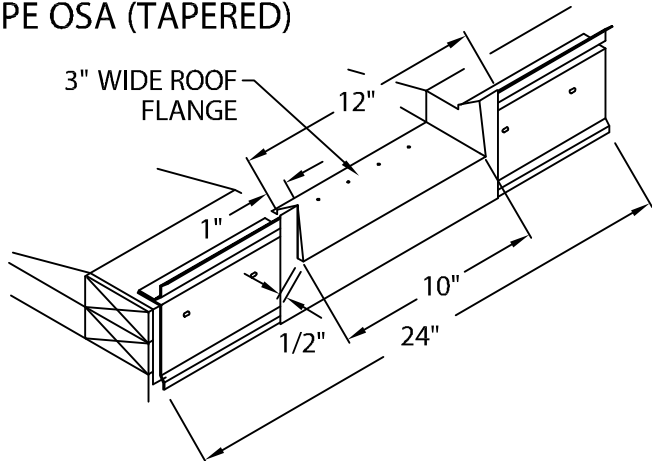
FOR USE WITH TAPERED EDGE STRIP.  
FLANGE LOWERED 1 1/2\".

**SPILLOUT SCUPPER  
TYPE SSB (FLAT)**



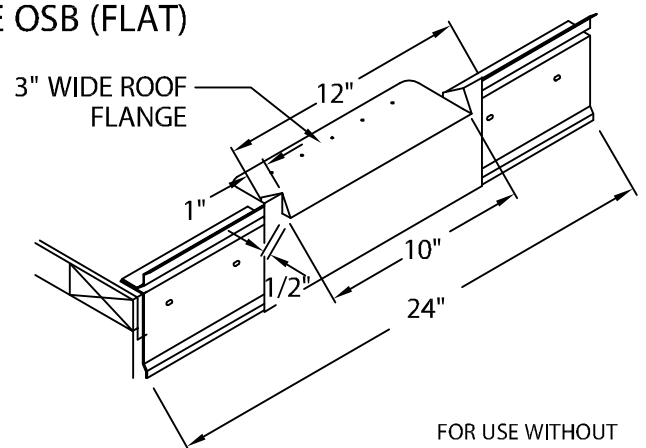
FOR USE WITHOUT TAPERED EDGE STRIP.  
FLANGE FLUSH MOUNTED WITH ROOF.

**OVERFLOW SCUPPER  
TYPE OSA (TAPERED)**



FOR USE WITH TAPERED EDGE STRIP.  
FLANGE LOWERED 1 1/2\".

**OVERFLOW SCUPPER  
TYPE OSB (FLAT)**



FOR USE WITHOUT  
TAPERED EDGE STRIP.  
FLANGE FLUSH  
MOUNTED WITH ROOF.



Customer Service  
800-558-2162

DATE: 07/02/08  
DRN BY: JJC  
CKD BY: SAK

SHT.# \_\_\_ OF \_\_\_

DWG# 18510-2024

**B**