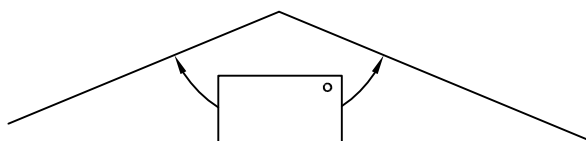


NON 90° FASCIA MITERS

OUTSIDE MITER - OBTUSE

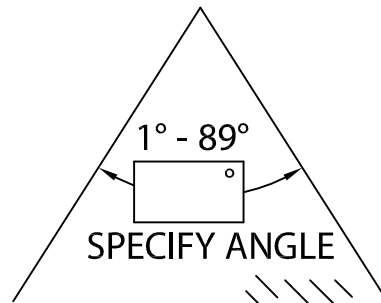


SPECIFY ANGLE 91° - 179°



- Standard Leg Lengths
 Custom Leg Lengths _____ Qty _____

OUTSIDE MITER - ACUTE



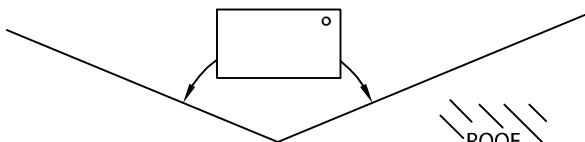
1° - 89°

SPECIFY ANGLE



- Standard Leg Lengths
 Custom Leg Lengths _____ Qty _____

INSIDE MITER - OBTUSE

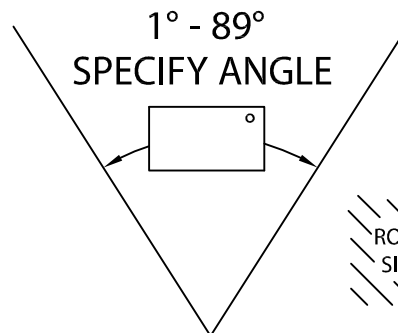


SPECIFY ANGLE 91° - 179°



- Standard Leg Lengths
 Custom Leg Lengths _____ Qty _____

INSIDE MITER - ACUTE



1° - 89°

SPECIFY ANGLE



- Standard Leg Lengths
 Custom Leg Lengths _____ Qty _____

Fabrication will proceed only after receipt of signed print approval.

Print Approval:

Architect and/or contractor shall verify all dimensions, sizes and quantities. All products to be installed in strict accordance with Dow Roofing Systems' printed instructions.

Approved by: _____

Date: _____

MATERIAL:

- ___ 24 Ga. (.65 mm) Galv.
 ___ .040" (1.01 mm) Alum.
 ___ .050" (1.27 mm) Alum.
 ___ .063" (1.60 mm) Alum.
 ___ OTHER _____

Color: _____

Finish: _____

Please Indicate Fascia System:

- Dow Standard Fascia
 Dow Extended Fascia
 Dow Edge
 Dow HG Fascia
 Dow Canted Fascia
 Dow Extended Canted Fascia
 Dow System 200 Fascia
 Dow Drip Edge
 Other _____

PROJECT:

ARCHITECT:

ROOFING CONTRACTOR:

REPRESENTATIVE/DISTRIBUTOR:

Corporate Offices
 Dow Roofing Systems
 Nine Sullivan Road
 Holyoke, MA 01040
 P: 800-621-ROOF



ROOFING SYSTEMS

DATE: 02/19/09

DRN BY: JJC

CKD BY: SAK

SHT.# ___ OF ___

DWG# 12010-2880

C