



RADIUS ONE EDGE EXTENDED

FULLY ADHERED OR MECHANICALLY ATTACHED SINGLE-PLY VERSION

.050. AND .063" ALUMINUM COVER MATERIAL

IMPORTANT!!! MUST INDICATE PROPER RADIUS CONDITION BY CIRCLING APPROPRIATE OUTSIDE FACE

PROVIDING A RADIUS
THE RADIUS MAY BE PROVIDED
IN ONE OF TWO METHODS:

1.) THE ACTUAL KNOWN RADIUS IS

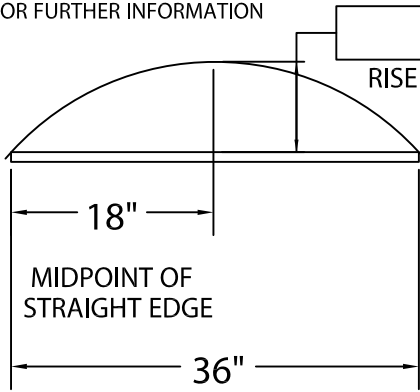
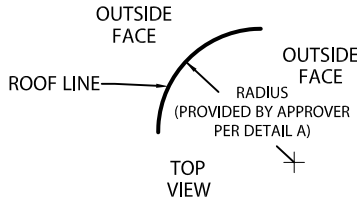
(SMALLEST RADIUS
ALLOWED IS 4'-0")

OR

2.) FIELD CONDITION MEASUREMENTS

NOTE: REFER TO ATTACHED WORKSHEET
FOR FURTHER INFORMATION

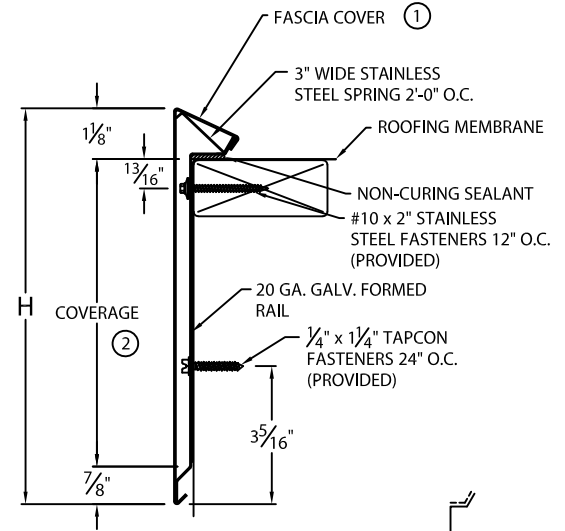
(MAX. RISE ALLOWED
IS 3 1/2" ON
36" CHORD)



LENGTH OF
STRAIGHT EDGE

NOTE: CHECK MEASUREMENTS ALONG ENTIRE RADIUS.

DETAIL A



----- INDICATES AREA TO BE SLIT TO FORM RADIUS

- OVER 150'-0" RADIUS = NO SLITS
- 30'-0" - 150'-0" RADIUS = SLITS 12" O.C.
- 16'-0" - 30'-0" RADIUS = SLITS 6" O.C.
- 8'-0" - 16'-0" RADIUS = SLITS 3" O.C.
- 4'-0" - 8'-0" RADIUS = CUSTOM SLITS 3" O.C.

RADIUS FORMED RAIL

NOTES:

- ① FASCIA COVER PROVIDED WITH 3 1/2" WIDE SPLICE PLATES.
- ② FACE = COVERAGE (SHOULD EXTEND A MIN. OF 1" BELOW WATERPROOFING MEMBRANE) + 2".

FASCIA DIMENSIONS

PRODUCT ID. NO.	H DIM	COVERAGE
<input type="checkbox"/> ESE-S95	9 1/2"	8 3/8"
<input type="checkbox"/> ESE-S110	11"	9 7/8"
<input type="checkbox"/> ESE-S125	12 1/2"	11 3/8"

Fabrication will proceed only after receipt of signed print approval.

Print Approval:

Architect and/or contractor shall verify all dimensions, sizes and quantities. All products to be installed in strict accordance with Metal-Era's printed instructions.

Approved by: _____

Date: _____

MATERIAL:

___ .050" Aluminum
___ .063" Aluminum
___ OTHER _____

Color: _____

Finish: _____

QUANTITIES:

_____ Lineal Feet 12'-0" Lengths
Cover and Rail Supplied in 12'-0" Lengths for 16'-0" radius or greater.
Cover and Rail Supplied in 6'-0" Lengths for radius less than 16'-0".

PROJECT:

ARCHITECT:

ROOFING CONTRACTOR:

REPRESENTATIVE/DISTRIBUTOR:

Corporate Offices, Manufacturing
1600 Airport Road; Waukesha, WI 53188
Phone: 800-558-2162
Fax: 800-373-9156
www.metalera.com



DATE: 10/26/18

DRN BY: JJC

CKD BY: SAK

SHT.# ___ OF ___

DWG# 11010-21023

G